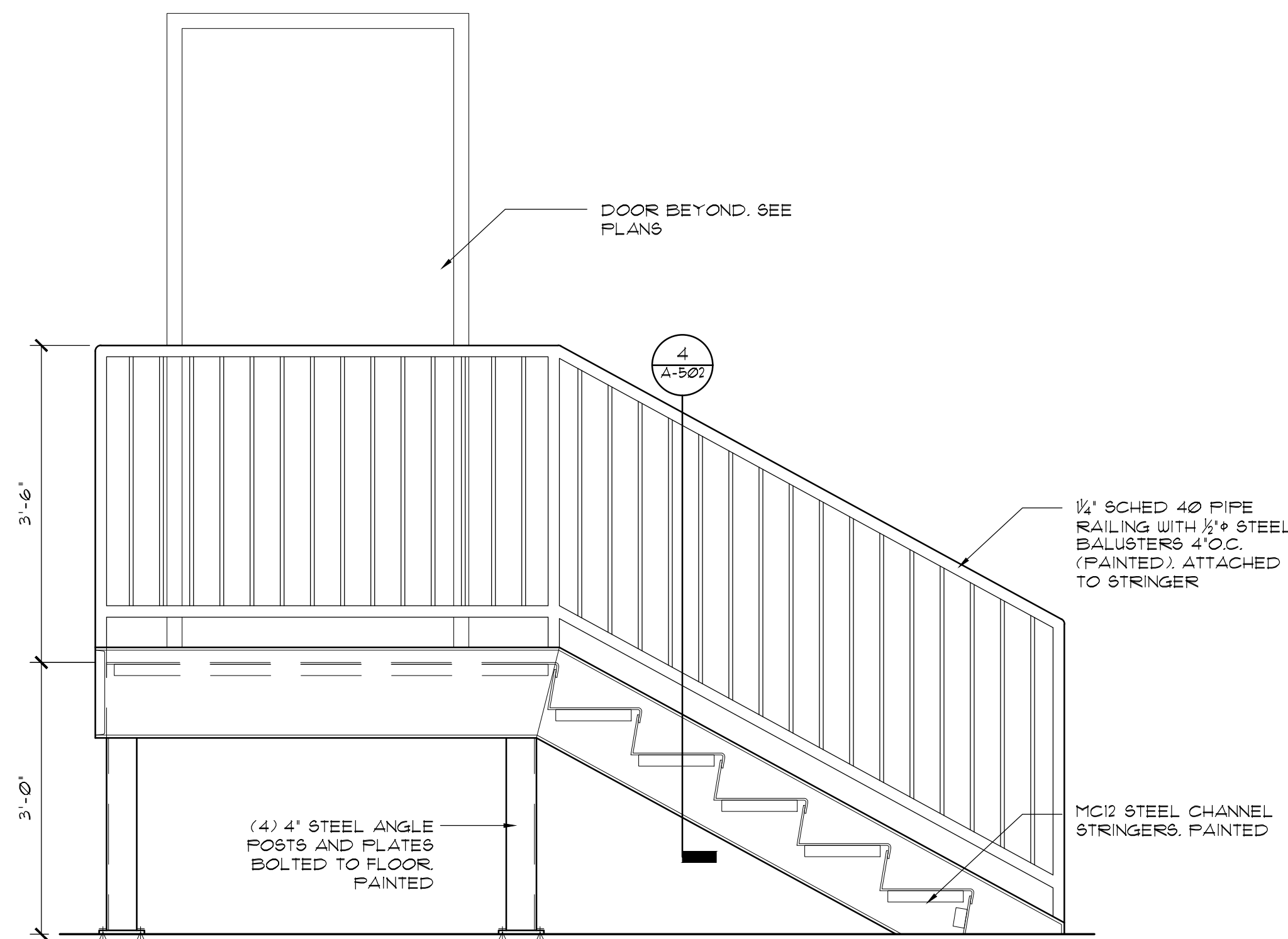
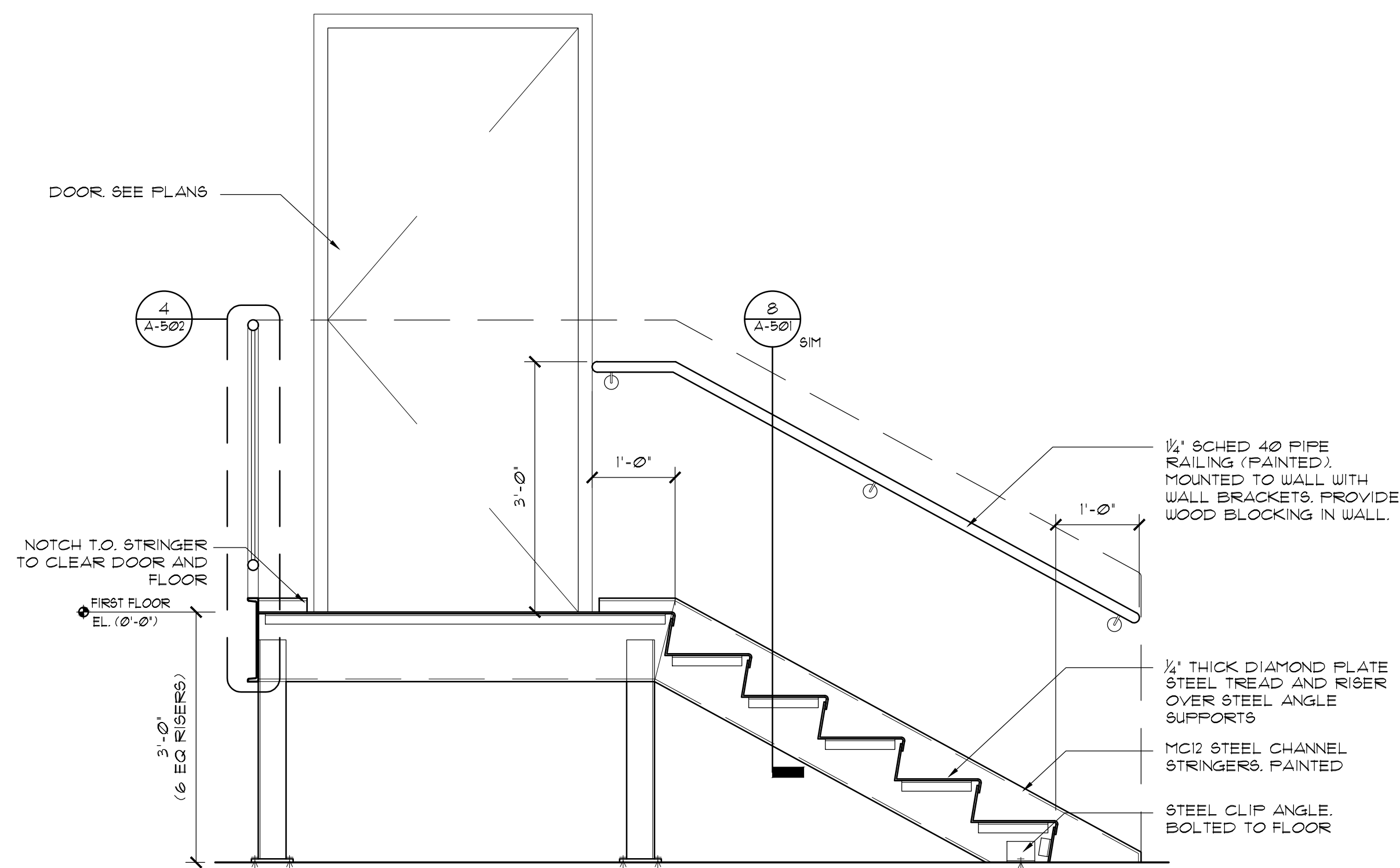


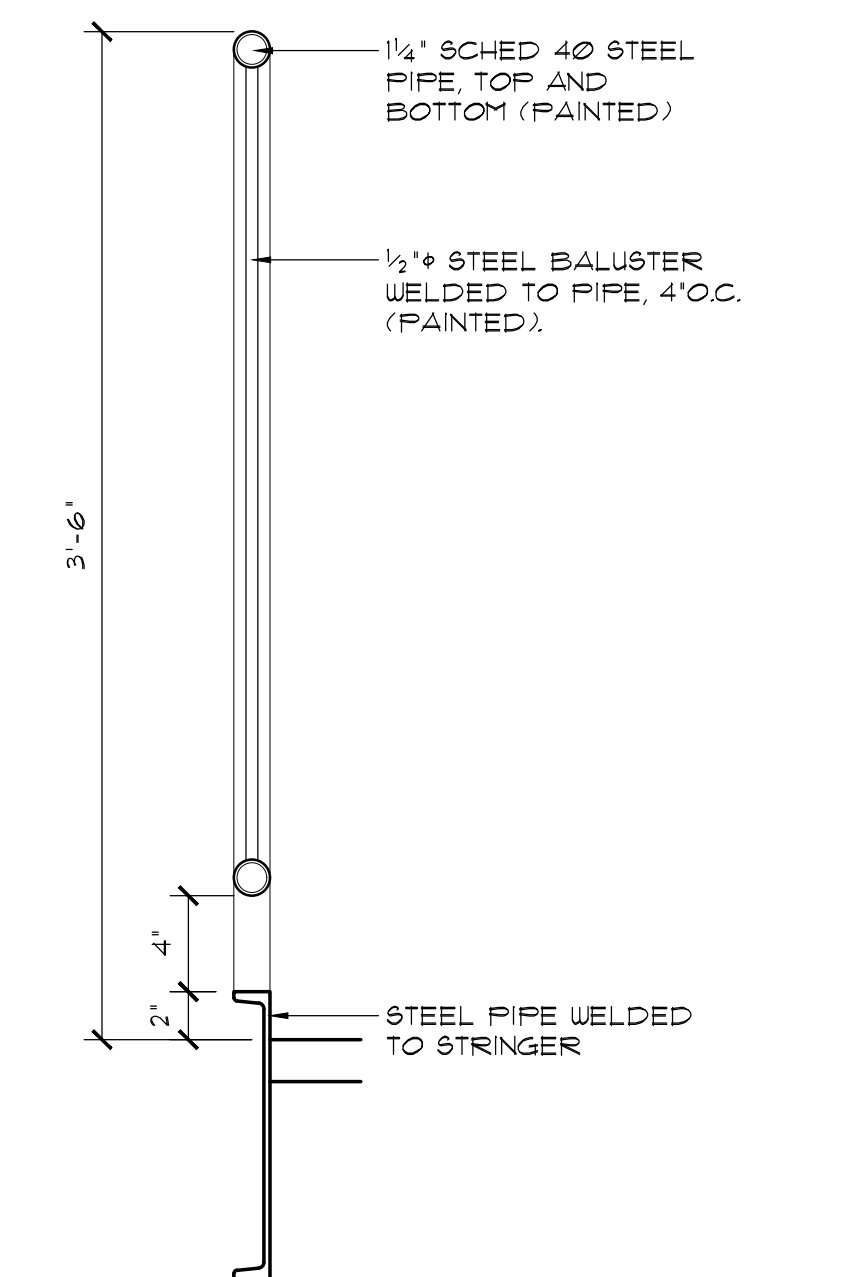
1 STAIR C - FIRST FLOOR PLAN
@ AIR HANDLER ROOM 115 SCALE: 3/4"=1'-0"



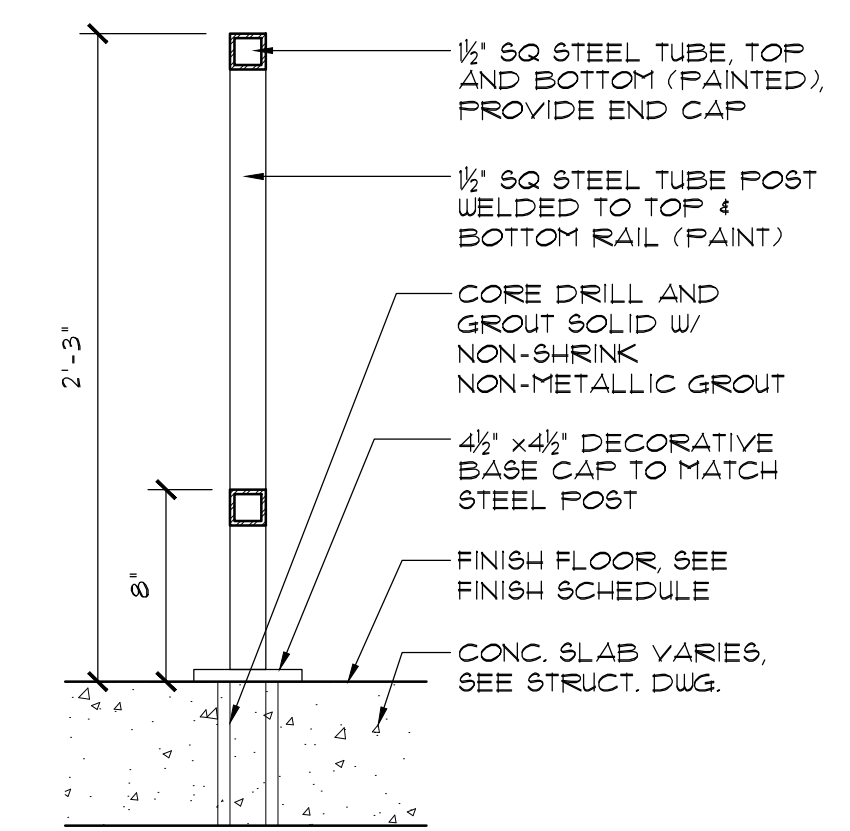
2 STAIR C - ELEVATION SCALE: 3/4"=1'-0"



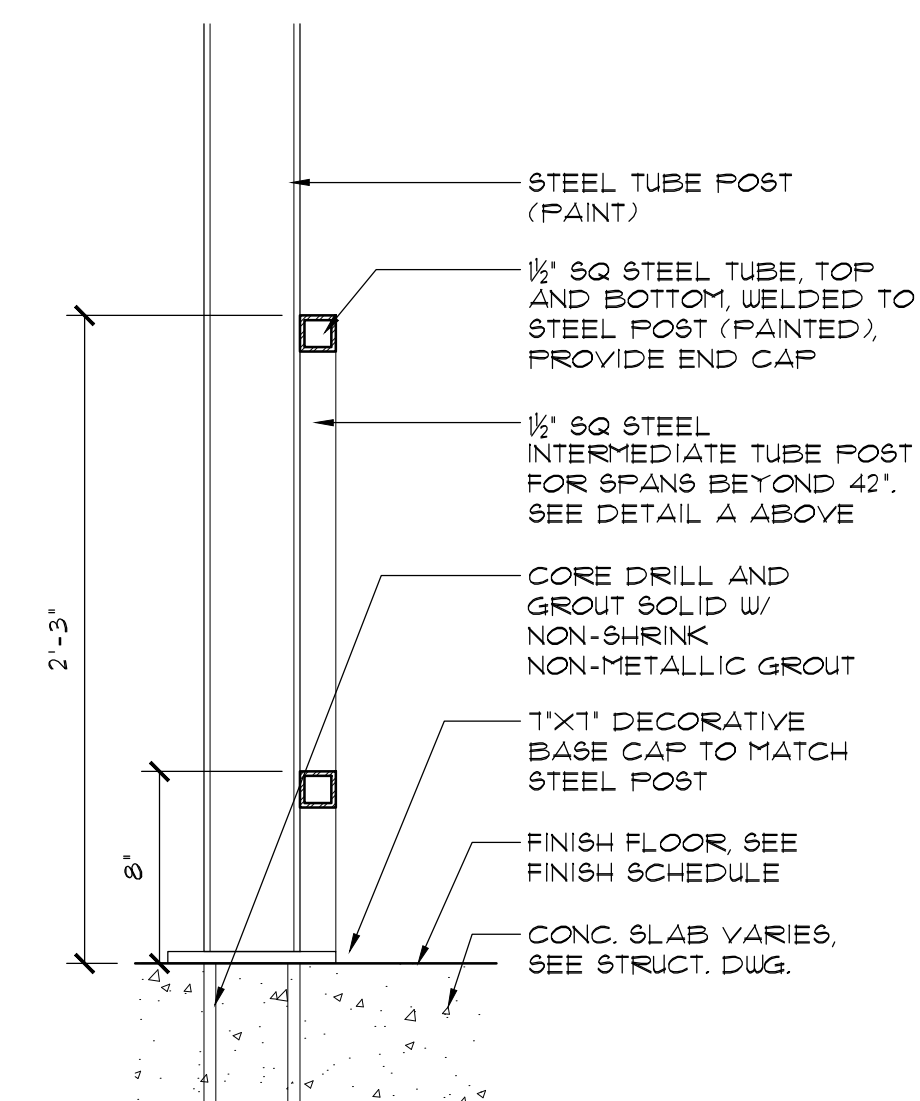
3 STAIR C - SECTION SCALE: 3/4"=1'-0"



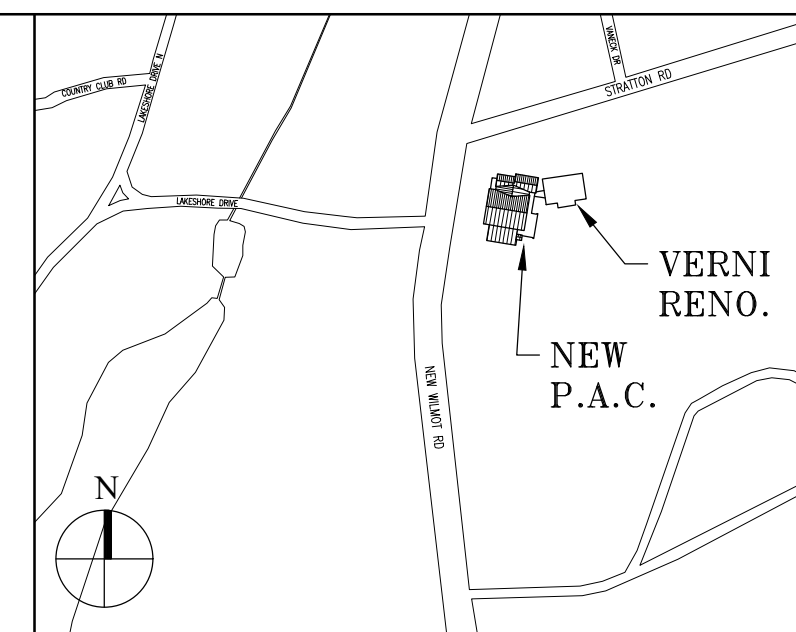
4 GUARDRAIL DETAIL STAIR C SCALE: 1/2"=1'-0"



A LOBBY GUARDRAIL DETAIL BELOW STAIRS SCALE: 1/2"=1'-0"



B LOBBY GUARDRAIL DETAIL BELOW STAIRS SCALE: 1/2"=1'-0"



Key Plan (not to scale)

No.	Date	Revision/Submission
7.	6/01/2021	ISSUED FOR BID
6.	5/07/2021	RE-ISSUED FOR BUILDING PERMIT REVIEW
5.	2/01/2021	ISSUED FOR BUILDING PERMIT REVIEW
4.	10/14/2020	ISSUED FOR PLANNING BOARD REVIEW
3.	9/23/2020	RESUBMITTED FOR ZONING REVIEW
2.	8/28/2020	ISSUED FOR PRELIMINARY DOB REVIEW
1.	1/10/2020	ISSUED FOR DD ESTIMATE

STRUCTURAL & SITE CIVIL ENGINEER
DOMINICK R PILLA
ASSOCIATES, P.C.
143 MAIN STREET
NYACK, NY 10960
845-727-7793

MEP ENGINEER
JMV CONSULTING
ENGINEERING, P.C.
37 W. 39 STREET, STE 703
NEW YORK, NY 10018
212-852-9855

ROOFING CONSULTANT
WATSKY ASSOCIATES
20 MADISON AVENUE
VALHALLA, NY 10595
914-948-3450

Stamp

Project Title
IONA PREPARATORY SCHOOL
ADDITION AND ALTERATION TO THE
PAUL VERNI FINE ARTS CENTER

Project Address
IONA PREPARATORY SCHOOL
255 Wilmot Road
New Rochelle, NY 10804

Drawing Title
STAIR C - AIR HANDLER RM
PLAN, ELEVATION, & SECTION

Scale	Job No.	Date	Drawing No.
AS NOTED	1618	04/03/2019	A-502

Drawn

Peter Gisolfi Associates
Architects Landscape Architects, LLP
566 Warburton Avenue
Hastings on Hudson, NY 10706
914 478 3677

PETER GISOLFI ASSOCIATES