

RESTROOM RENOVATION PURCHASE COLLEGE

STATE UNIVERSITY OF NEW YORK

735 Anderson Hill Rd.
Purchase, NY 10577

PHASE 2:

MUSIC BUILDING
DANCE BUILDING
PHYS. ED. BUILDING
LIBRARY

Conditions
ALL IDEAS, DESIGNS, ARRANGEMENTS AND PLANS INDICATED OR REPRESENTED BY THIS DRAWING ARE OWNED BY, AND THE PROPERTY OF, RONNETTE RILEY ARCHITECT AND WERE CREATED, EVOLVED AND DEVELOPED FOR THE USE ON, AND IN CONNECTION WITH THE SPECIFIC PROJECT.
NONE OF SUCH IDEAS, DESIGNS, ARRANGEMENTS OR PLANS SHALL BE USED BY OR DISCLOSED TO ANY PERSON, FIRM OR CORPORATION FOR ANY PURPOSE WHATSOEVER WITHOUT THE WRITTEN PERMISSION OF RONNETTE RILEY ARCHITECT.
© Copyright Ronnette Riley Architect 2020

Ronnette Riley Architect

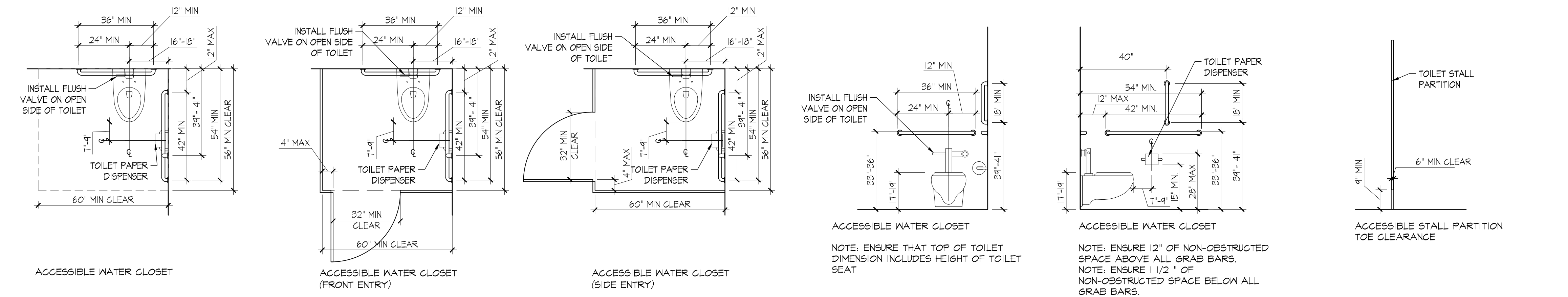
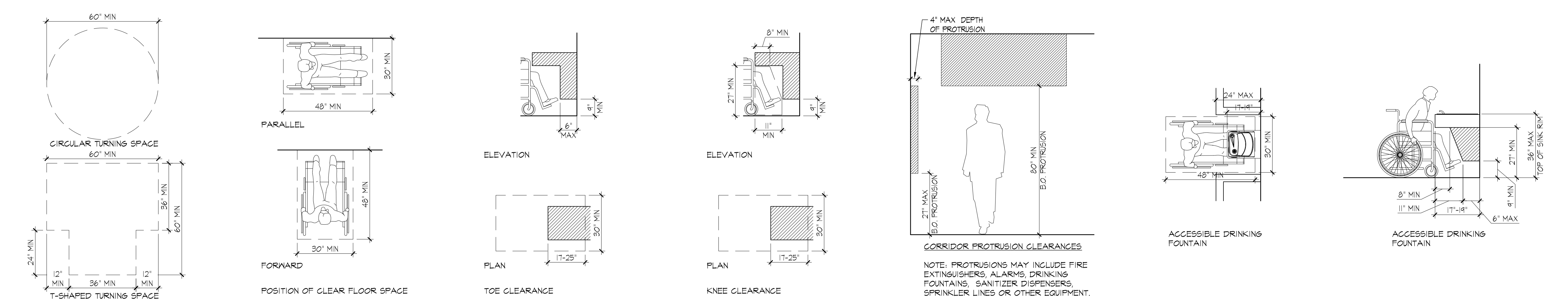
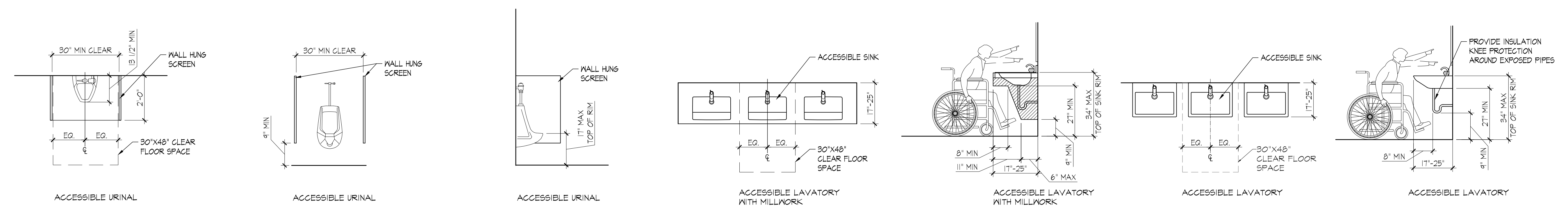
494 Eighth Avenue, 15th Floor
New York, NY 10001
T 212 594 4015
F 212 594 2868
www.ronnetteriley.com

MEP Engineer
SETTY & Associates, Ltd
535 Eighth Avenue, Suite 215
New York, NY 10018
T 646 253 9000
F 646 224 6497

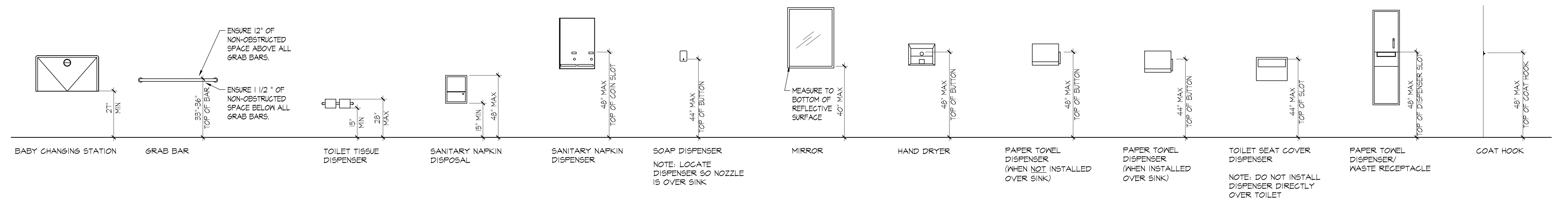
Rev	Date	Issue
29	April 2022	Issue for Bid

Title ADA RESTROOM DETAILS

Date	01-16-2020
Project No.	1944
Drawing By	SJ, CQ
CHK By	SN
Scale	AS NOTED
DOB Rev	
A-004.00	
#	



2 MOUNTING HEIGHTS AND LOCATIONS FOR PLUMBING FIXTURES NOT TO SCALE



1 MOUNTING HEIGHTS AND LOCATIONS FOR RESTROOM ACCESSORIES NOT TO SCALE