



1 Site Plan
1" = 60'-0"

GENERAL REQUIREMENTS

- REFER TO SPECIFICATIONS FOR ADDITIONAL REQUIREMENTS OF THIS PROJECT.
- BID PHASE:**
IT IS THE CONTRACTOR'S RESPONSIBILITY TO REVIEW ALL DOCUMENTS TO INCLUDE PLANS AND SPECIFICATIONS FOR THE ARCHITECTURAL AND OTHER WORK UNDER OTHER DIVISIONS THAT CAN AFFECT THE WORK OF THIS DIVISION. THE CONTRACTOR SHALL ISSUE A FORMAL REQUEST FOR INFORMATION FOR CLARIFICATIONS OF ANY DISCREPANCIES IN THE DOCUMENTS PRIOR TO FINAL BID SUBMISSION.
- PRE-CONSTRUCTION:**
IT IS THE CONTRACTOR'S RESPONSIBILITY TO REVIEW ALL REVISED DOCUMENTS TO INCLUDE ARCHITECTURAL PLANS AND WORK UNDER OTHER DIVISIONS THAT CAN AFFECT THE WORK OF THIS DIVISION. THIS INCLUDES REVIEW OF ALL ADDENDUMS, REVISIONS AND SHOP DRAWINGS THAT AFFECT THE WORK OF THIS DIVISION. THE CONTRACTOR SHALL NOTIFY THE A/E TEAM OF ANY DISCREPANCIES PRIOR TO FINAL ROUGH-IN.

SPECIAL CONDITIONS

Mechanical Sheet List		
Sheet Order	Sheet Number	Sheet Name
1	M0.01	COVER SHEET - MECHANICAL
2	M1.01	MECHANICAL SCHEDULES AND DETAILS
3	M2.01	UNIT L FLOOR PLAN - MAMARONECK I - MECHANICAL
4	M2.01A	UNIT L FLOOR PLAN - MAMARONECK II - MECHANICAL
5	M2.02	UNIT M FLOOR PLAN - SHENOROCK I - MECHANICAL
6	M2.02A	UNIT M FLOOR PLAN - SHENOROCK II - MECHANICAL
7	M2.03	UNIT N FLOOR PLAN - SIWANROY I - MECHANICAL
8	M2.03A	UNIT N FLOOR PLAN - SIWANROY II - MECHANICAL
9	M2.04	UNIT O FLOOR PLAN - STRATHGLASS I - MECHANICAL
10	M2.04A	UNIT O FLOOR PLAN - STRATHGLASS II - MECHANICAL

MECHANICAL SYMBOL LIST	
SYMBOL	DESCRIPTION
	MOTOR OPERATED DAMPER
	SUPPLY AIR DEVICE. ARROWS INDICATE DIRECTION OF AIRFLOW
	MANUAL VOLUME DAMPER - M.V.D.
	SMOKE DAMPER, S.D.
	FIRE DAMPER, F.D.
	COMBINATION FIRE/SMOKE DAMPER
	CONICAL TEE (SPIN-IN TYPE)
	BRANCH DUCT WITH 45° CLINCH COLLAR CONNECTION TO MAIN TRUNK DUCT
	RECTANGULAR TURN W/ TURNING VANES
	FLEXIBLE ROUND DUCT
	RIGID ROUND DUCT
	THERMOSTAT
	SUPPLY AIR
	AIR HANDLING UNIT
	FAN COIL UNIT
	CUBIC FEET PER MINUTE
	ROOFTOP UNIT
	EXHAUST AIR
	OUTSIDE AIR
	OPEN END DUCT
	RETURN AIR
	ABOVE FINISHED FLOOR

AIR DEVICE DESIGNATION	
	LETTER REPRESENTS MANUFACTURER & MODEL NO.
	AREA STATES CFM

MECHANICAL EQUIPMENT DESIGNATION	
	STATES TYPE OF SYSTEM.
	STATES NUMBER OR LETTER CORRESPONDING TO RELATED SCHEDULE.

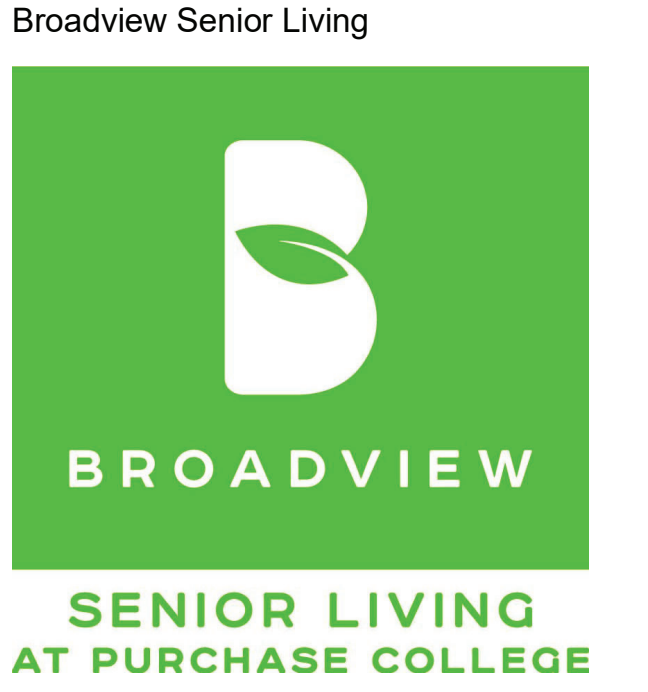
ARCHITECT
HCM Design, Inc.
700 E. Pratt St, Suite 1200, Baltimore, MD 21202
p. 410. 837. 7311

MEP ENGINEER
SRBR Engineers, Inc.
757 Frederick Road, Suite 300, Catonsville, MD 21228
p. 410.869.7292

STRUCTURAL ENGINEER
Carroll Engineering, Inc.
215 Schilling Circle, Suite 102, Hunt Valley, MD 21031
p. 410.785.7423

FOOD SERVICE
Scopus Hospitality Group
300 West Chestnut Street, Suite 201, Ephrata, PA 17822
p. 717.733.9810

INTERIOR DESIGNER
Merlino Design Partnership, Inc.
2200 Renaissance Blvd, Suite 300, Gulph Mills, PA 19406
p. 610.313.9550



BROADVIEW - SENIOR LIVING AT PURCHASE COLLEGE - VILLAS

Purchase College Learning Corporation
735 Anderson Hill Road
Purchase, NY 10577-1402

hord | coplan | macht

ARCHITECTURE
LANDSCAPE ARCHITECTURE
PLANNING
INTERIOR DESIGN



PROFESSIONAL IDENTIFICATION CERTIFICATE THAT THESE DOCUMENTS WERE PREPARED OR APPROVED BY ME AND THAT I AM A DULY LICENSED ARCHITECT UNDER THE LIMITS OF MY LICENSE IN THE STATE OF MARYLAND
LICENSE NUMBER: _____
EXPIRATION DATE: _____

no. date revision

Project Name
BROADVIEW - SENIOR LIVING AT PURCHASE COLLEGE - VILLAS
Project Number
215042.00
Date
03/15/2021

Scale
1" = 60'-0"
Drawing
COVER SHEET - MECHANICAL

M0.01

PERMIT / GMP SET

© Hord Coplan Macht, Inc.

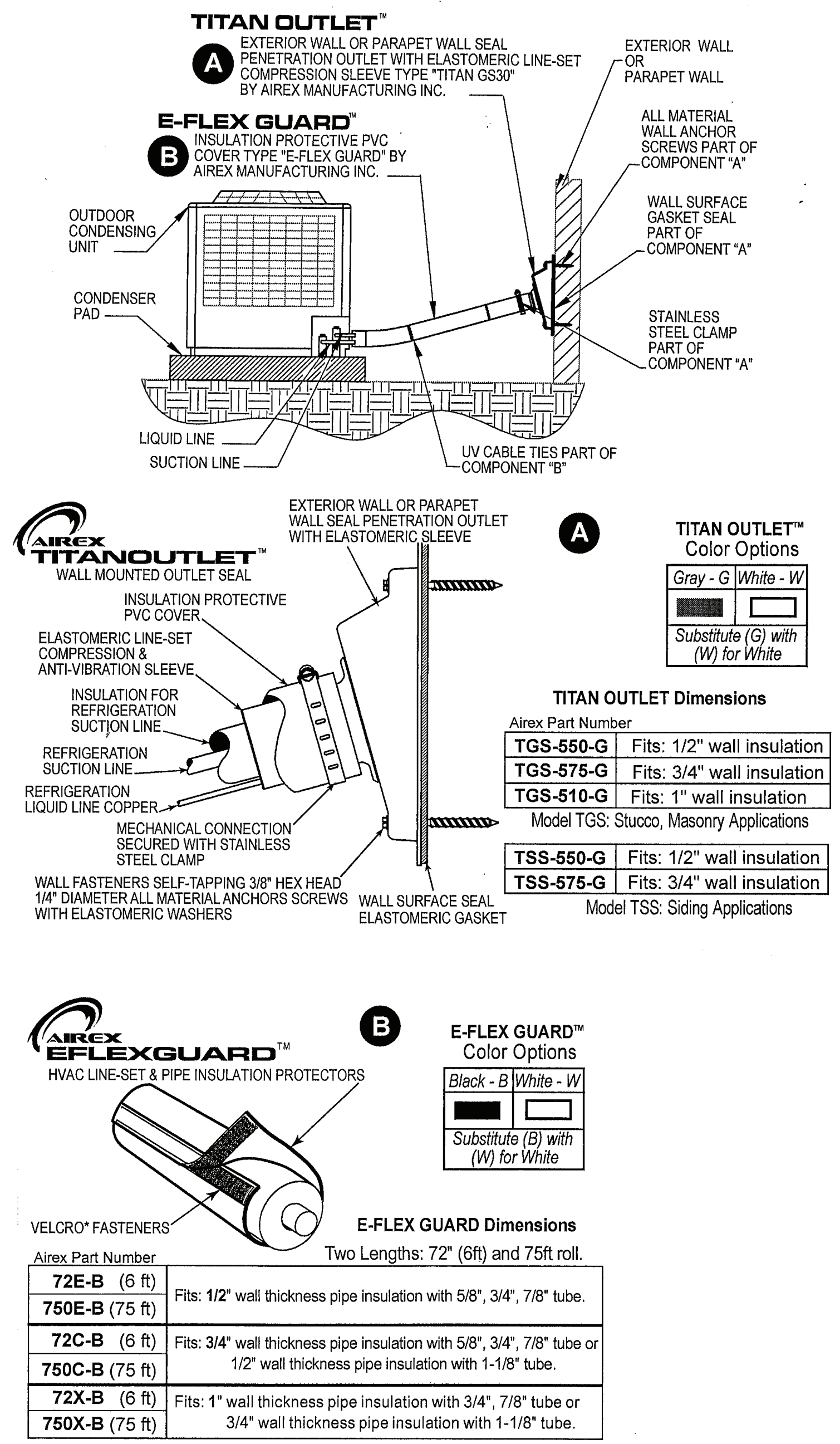
Exhaust Fan Schedule																	
Tag	Manufacturer	Model	Wheel Diameter	Weight	CFM	ESP	TSP	Fan RPM	Drive Type	Power	Voltage	Motor RPM	Motor Type	FLA	Efficiency	Remarks	
EF-1	Greenheck	SP-B110	7.94"	10 lbs	70	0.125"	0.129"	675	Drive	16.5W	120/1/60	-	PSC Motor	0.53	0.451	Galvanized steel housing - outlet duct collar with integral back draft damper, forward curved wheel, adjustable mounting brackets, plug type disconnect, white designer non-yellowing lighted ceiling grille, polypropylene wheel material. Provide LED, 10W bulb with frosted lens.	

Energy Recovery Ventilator Schedule																	
Tag	Manufacturer	Model	ESP	Exhaust Air CFM	Supply Air CFM	Power	Voltage	Heating Performance				Cooling Performance				Remarks	
								Outside Temperature	Air Flow	Sensible Recovery Efficiency	Apparent Sensible Effectiveness	Net Moisture Transfer	Supply Temperature	Air Flow	Total Recovery Efficiency		
ERV-1	Panasonic	FV-10VEC2	0.1"	100	100	81W	120/1/60	32	85	75	80	74	95	49	60	Furnish with MERV 13 filters, DC fan motors, built-in controls complying with ASHRAE 62.2.	

Air Device Schedule																	
Mark	System Classification	Device Type	Neck Size	Face Size	Manufacturer	Description	Discharge Direction	Opposed Blade Damper	Fire Rated	Plenum	Air Extractor	Equalizing Grid	Plaster Frame	Construction Material	Finish Color	Comments	
RG1	Return Air	Grille	14"x8"	16-1/2"x10-1/2"	Price Industries Series 530	Fixed Louver Face Grille	NA	No	No	No	No	No	Yes	Steel	White	Fixed 45 degree blades, 3/4" spacing. Provide sq to rd plenum	
RG2	Return Air	Grille	18"x18"	20-1/2"x20-1/2"	Price Industries Series 530	Fixed Louver Face Grille	NA	No	No	No	No	No	Yes	Steel	White	Fixed 45 degree blades, 3/4" spacing. Provide sq to rd plenum	
SG1	Supply Air	Grille	4"x10"	6-1/2"x12-1/2"	Price Industries Series 540	Adjustable Louver Face Grille	2-way	No	No	No	No	No	Yes	Steel	White	Adjustable pattern direction control with integrated volume control damper. Provide sq to rd plenums.	

Gas Fired Furnace Schedule																	
Tag	Manufacturer	Model	Supply Air CFM	Outside Air CFM	ESP	Power	Heating Input Capacity	Heating Output Capacity	AFUE	Flue Size	Voltage	FLA	MCA	MOCP	DX Coil Manufacturer and Model	Total Cooling Capacity	Remarks
GFF-1	"Rheem"	'R95TA070 1317MSA'	1100	100	0.9"	1/2 HP	70 MBH	68 MBH	95	2 @ 3"	120/1/60	6.8	10	15	"Rheem" No. 'RCFP-HU3617AC'	36 MBH	Furnish filter rack and filter, thermostat 'RETST700SYS', roof or wall flue concentric termination kit.
GFF-2	"Rheem"	'R95TA040 1317MSA'	800	50	0.9"	1/2 HP	42 MBH	41 MBH	95	2 @ 2"	120/1/60	4.0	8	15	"Rheem" No. 'RCFP-HU2417AC'	24 MBH	Furnish filter rack and filter, thermostat 'RETST700SYS', roof or wall flue concentric termination kit.

Outdoor Cooling Unit Schedule																	
Tag	Manufacturer	Model	SEER	Refrigerant	Indoor EAT DB	Indoor EAT WB	Outside Air Temp	Cooling Data		Compressor		Condenser Fan		Electrical Data		Remarks	
								Total Cooling Capacity	RLA	LRA	Compressor Type	Power	FLA	Voltage	MCA		MOCP
CU-1	"Rheem"	'RA1636BJ 1NA'	14.5	R-410A	80	67	87	35.8 MBH	15.4	83.9	Scroll	1/3 HP	3.5	208/1/60	23	35	Furnish with compressor sound cover, 3" high polyethylene feet, refrigerant piping kits.
CU-2	"Rheem"	'RA1624AJ 1NA'	14.5	R-410A	80	67	87	24.0 MBH	10.3	61.6	Scroll	1/6 HP	0.6	208/1/60	14	20	Furnish with compressor sound cover, 3" high polyethylene feet, refrigerant piping kits.



REFRIGERANT PIPING CONNECTION TO HOUSE DETAIL

NO SCALE

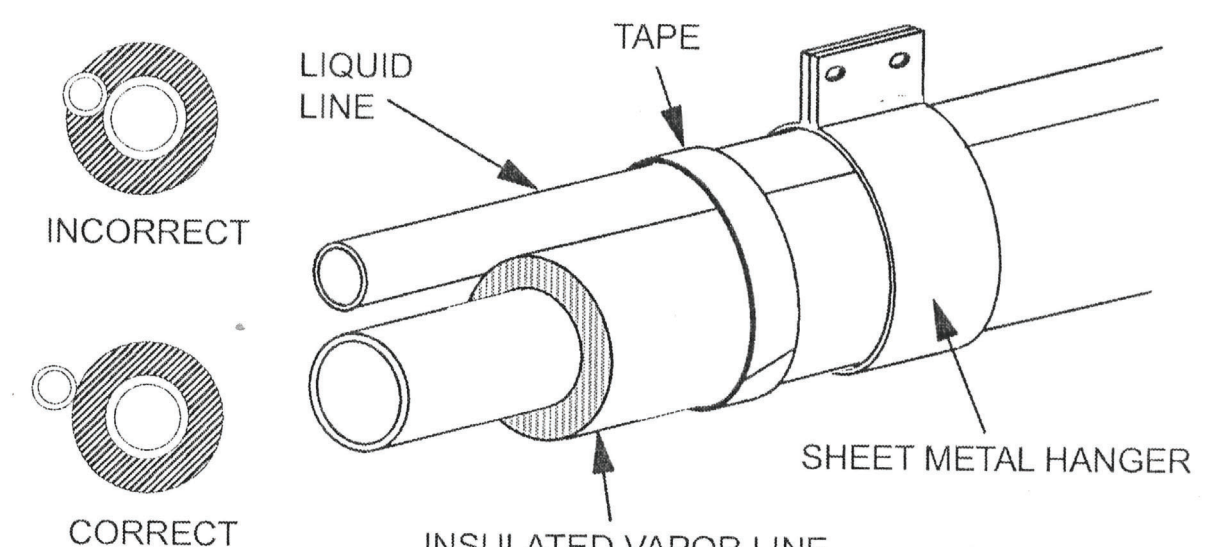


FIGURE 1: Refrigerant Line Support

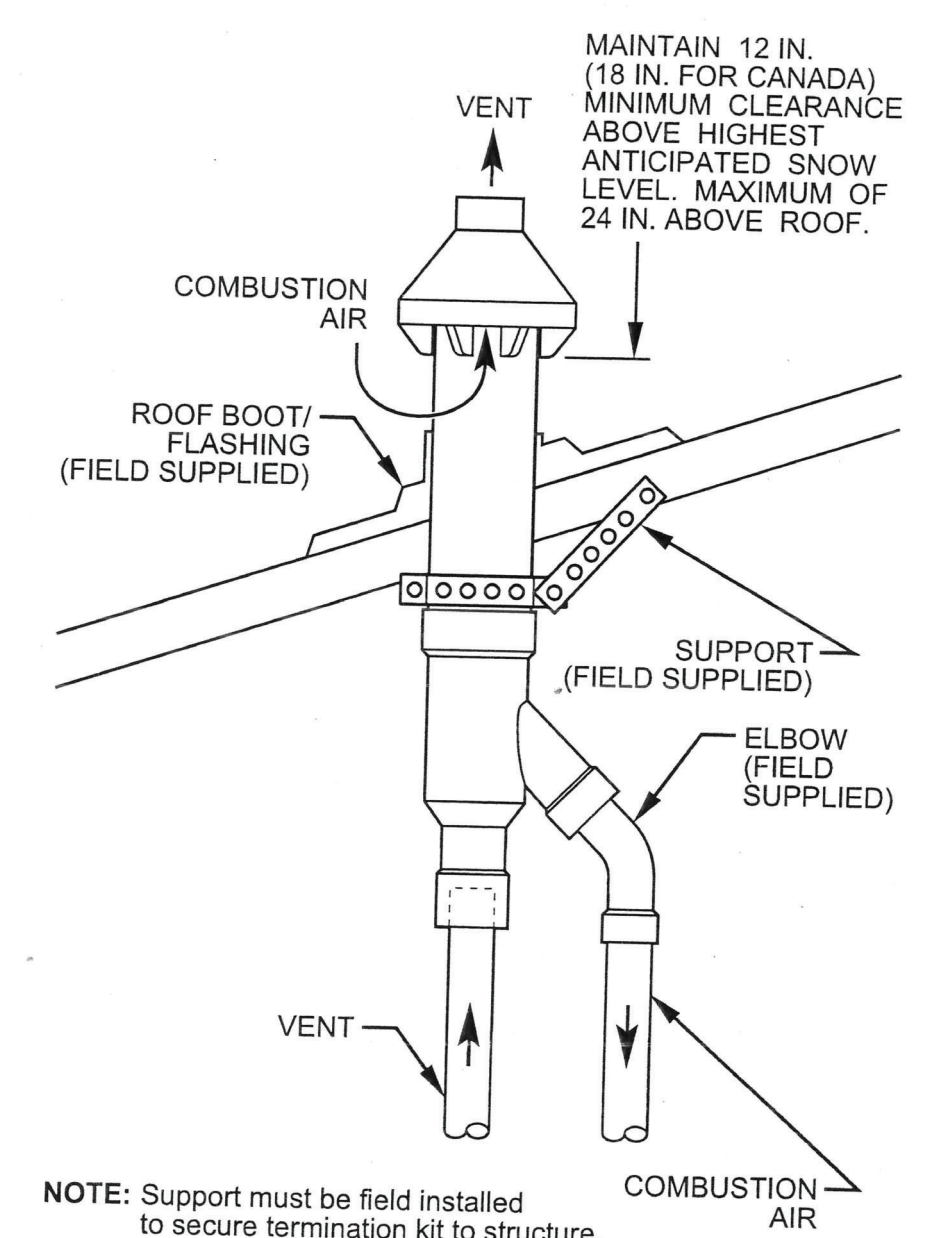
- Slope horizontal suction lines on cooling only systems approximately 1 inch every 20 feet toward the outdoor unit to facilitate proper oil return. Since the flow of refrigerant is bi-directional on heat pumps, all horizontal vapor lines should be level. Pre-charged lines with excess tubing should be coiled horizontally in an inconspicuous location to avoid oil trapping. Never coil excess tubing vertically.

REFRIGERANT PIPING DETAIL

NO SCALE

CONCENTRIC FLUE THROUGH ROOF DETAIL

NO SCALE



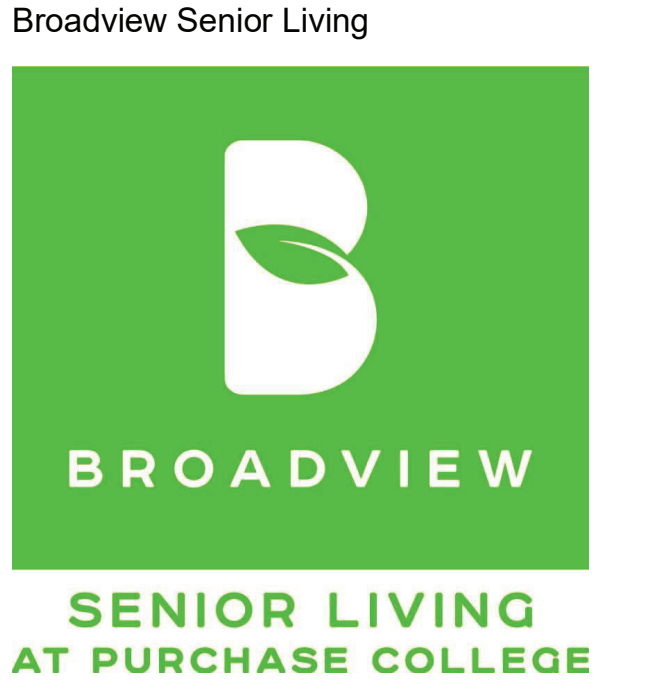
ARCHITECT
HCM Design, Inc.
700 E. Pratt St, Suite 1200, Baltimore, MD 21202
p. 410. 837. 7311

MEP ENGINEER
SRBR Engineers, Inc.
757 Frederick Road, Suite 300, Catonsville, MD 21228
p. 410.869.7292

STRUCTURAL ENGINEER
Carroll Engineering, Inc.
215 Schilling Circle, Suite 102, Hunt Valley, MD 21031
p. 410.785.7423

FOOD SERVICE
Scopos Hospitality Group
300 West Chestnut Street, Suite 201, Ephrata, PA 17522
p. 717.733.9310

INTERIOR DESIGNER
Merino Design Partnership, Inc.
2200 Renaissance Blvd, Suite 300, Gulph Mills, PA 19046
p. 610.313.9550



BROADVIEW - SENIOR LIVING AT PURCHASE COLLEGE - VILLAS
Purchase College Learning Corporation
735 Anderson Hill Road
Purchase, NY 10577-1402

hord coplan | macht

ARCHITECTURE
LANDSCAPE ARCHITECTURE
PLANNING
INTERIOR DESIGN



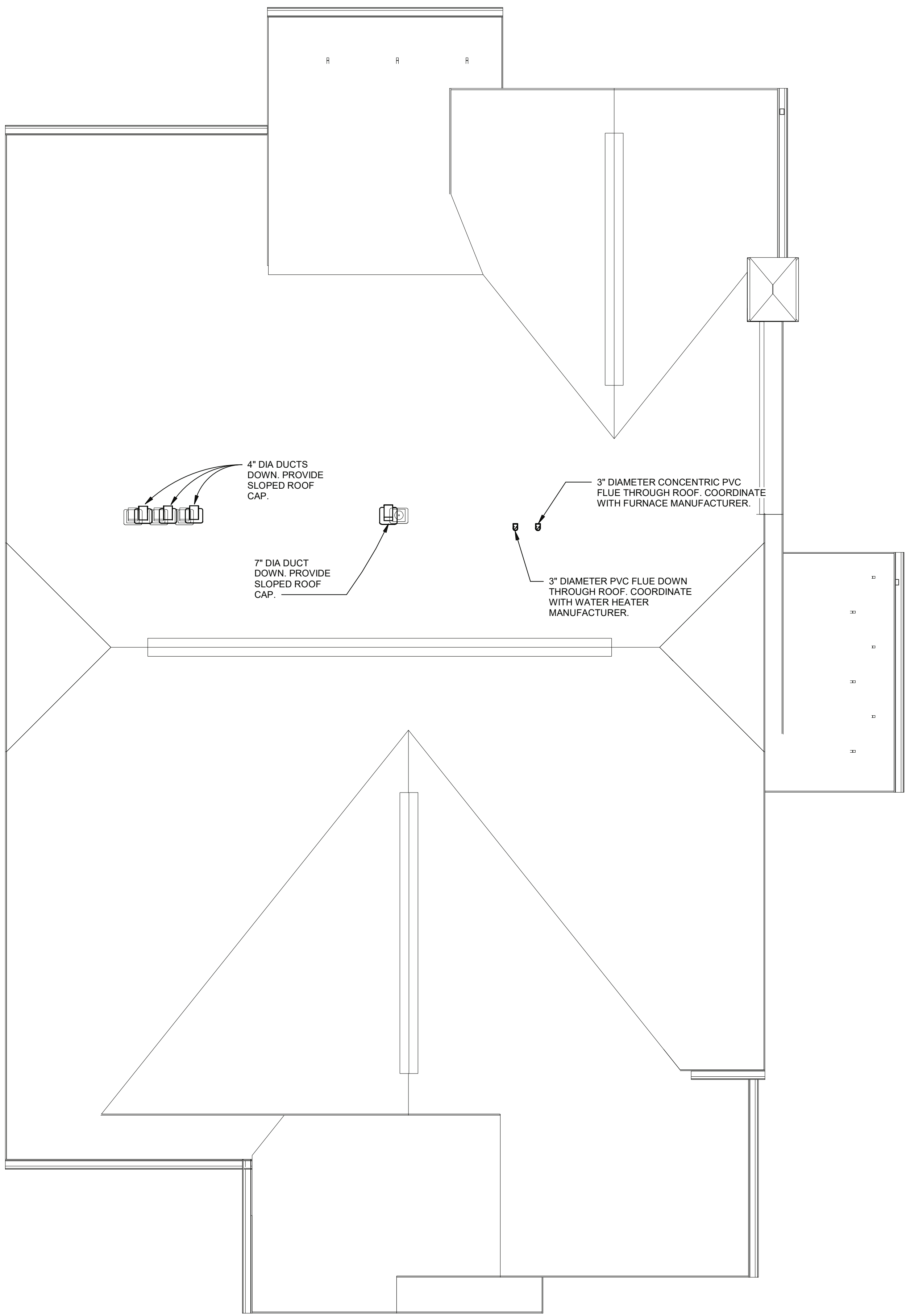
PROFESSIONAL CERTIFICATION CERTIFY THAT THESE DOCUMENTS WERE PREPARED OR APPROVED BY ME AND THAT I AM A FULLY LICENSED ARCHITECT UNDER THE LAWS OF THE STATE OF MARYLAND
LICENSE NUMBER: _____
EXPIRATION DATE: _____

Project Name
BROADVIEW - SENIOR LIVING AT PURCHASE COLLEGE - VILLAS
Project Number
215042.00
Date
03/15/2021
Scale

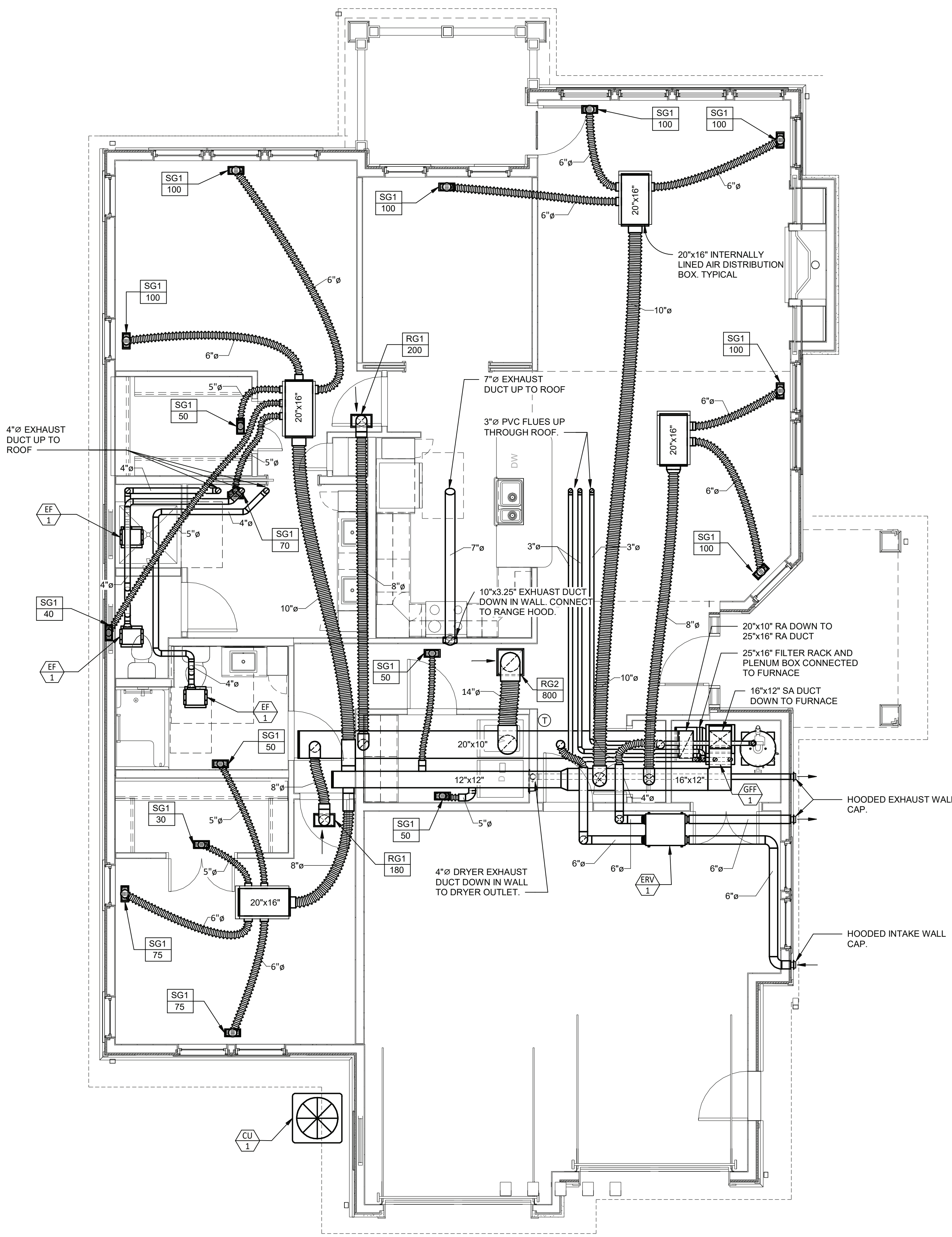
Drawing
MECHANICAL SCHEDULES AND DETAILS

M1.01

PERMIT / GMP SET



2 UNIT L - MAMARONECK I - ROOF PLAN - MECHANICAL
1/4" = 1'-0"



1 UNIT L - MAMARONECK I - FLOOR PLAN - MECHANICAL
1/4" = 1'-0"

ARCHITECT
 HCM Design, Inc.
 700 E. Pratt St, Suite 1200, Baltimore, MD 21202
 p. 410. 837. 7311

MEP ENGINEER
 SRBR Engineers, Inc.
 757 Frederick Road, Suite 300, Catonsville, MD 21228
 p. 410.869.7292

STRUCTURAL ENGINEER
 Carroll Engineering, Inc.
 215 Schilling Circle, Suite 102, Hunt Valley, MD 21031
 p. 410.785.7423

FOOD SERVICE
 Scopus Hospitality Group
 300 West Chestnut Street, Suite 201, Ephrata, PA 17522
 p. 717.733.9810

INTERIOR DESIGNER
 Merino Design Partnership, Inc.
 2200 Renaissance Blvd, Suite 300, Gulph Mills, PA 19406
 p. 610.313.9550



BROADVIEW - SENIOR LIVING AT PURCHASE COLLEGE - VILLAS
 Purchase College Learning Corporation
 735 Anderson Hill Road
 Purchase, NY 10577-1402

hord | coplan | macht

ARCHITECTURE
 LANDSCAPE ARCHITECTURE
 PLANNING
 INTERIOR DESIGN



PROFESSIONAL CERTIFICATION: I CERTIFY THAT THESE DOCUMENTS WERE PREPARED OR APPROVED BY ME AND THAT I AM A DULY LICENSED ARCHITECT UNDER THE LAWS OF THE STATE OF MARYLAND. LICENSE NUMBER: EXPIRATION DATE:

no.	date	revision

Project Name
 BROADVIEW - SENIOR LIVING AT PURCHASE COLLEGE - VILLAS
 Project Number
 215042.00
 Date
 03/15/2021
 Scale
 1/4" = 1'-0"
 Drawing
 UNIT L FLOOR PLAN - MAMARONECK I - MECHANICAL

M2.01

PERMIT/GMP SET
 © Hord Coplan Macht, Inc.

ARCHITECT
 HCM Design, Inc.
 700 E. Pratt St, Suite 1200, Baltimore, MD 21202
 p. 410. 837. 7311

MEP ENGINEER
 SRBR Engineers, Inc.
 757 Frederick Road, Suite 300, Catonsville, MD 21228
 p. 410.869.7292

STRUCTURAL ENGINEER
 Carroll Engineering, Inc.
 215 Schilling Circle, Suite 102, Hunt Valley, MD 21031
 p. 410.785.7423

FOOD SERVICE
 Scopus Hospitality Group
 300 West Chestnut Street, Suite 201, Ephrata, PA 17522
 p. 717.733.9810

INTERIOR DESIGNER
 Marino Design Partnership, Inc.
 2200 Renaissance Blvd, Suite 300, Gulph Mills, PA 19406
 p. 610.313.9550

Broadview Senior Living



BROADVIEW - SENIOR LIVING AT PURCHASE COLLEGE - VILLAS
 Purchase College Learning Corporation
 735 Anderson Hill Road
 Purchase, NY 10577-1402

hord | coplan | macht

ARCHITECTURE
 LANDSCAPE ARCHITECTURE
 PLANNING
 INTERIOR DESIGN



PROFESSIONAL CERTIFICATION (CERTIFY THAT THESE DOCUMENTS WERE PREPARED OR APPROVED BY ME AND THAT I AM A DULY LICENSED ARCHITECT UNDER THE LAWS OF THE STATE OF MARYLAND)
 LICENSE NUMBER: _____
 EXPIRATION DATE: _____

no.	date	revision

Project Name
BROADVIEW - SENIOR LIVING AT PURCHASE COLLEGE - VILLAS
 Project Number
215042.00

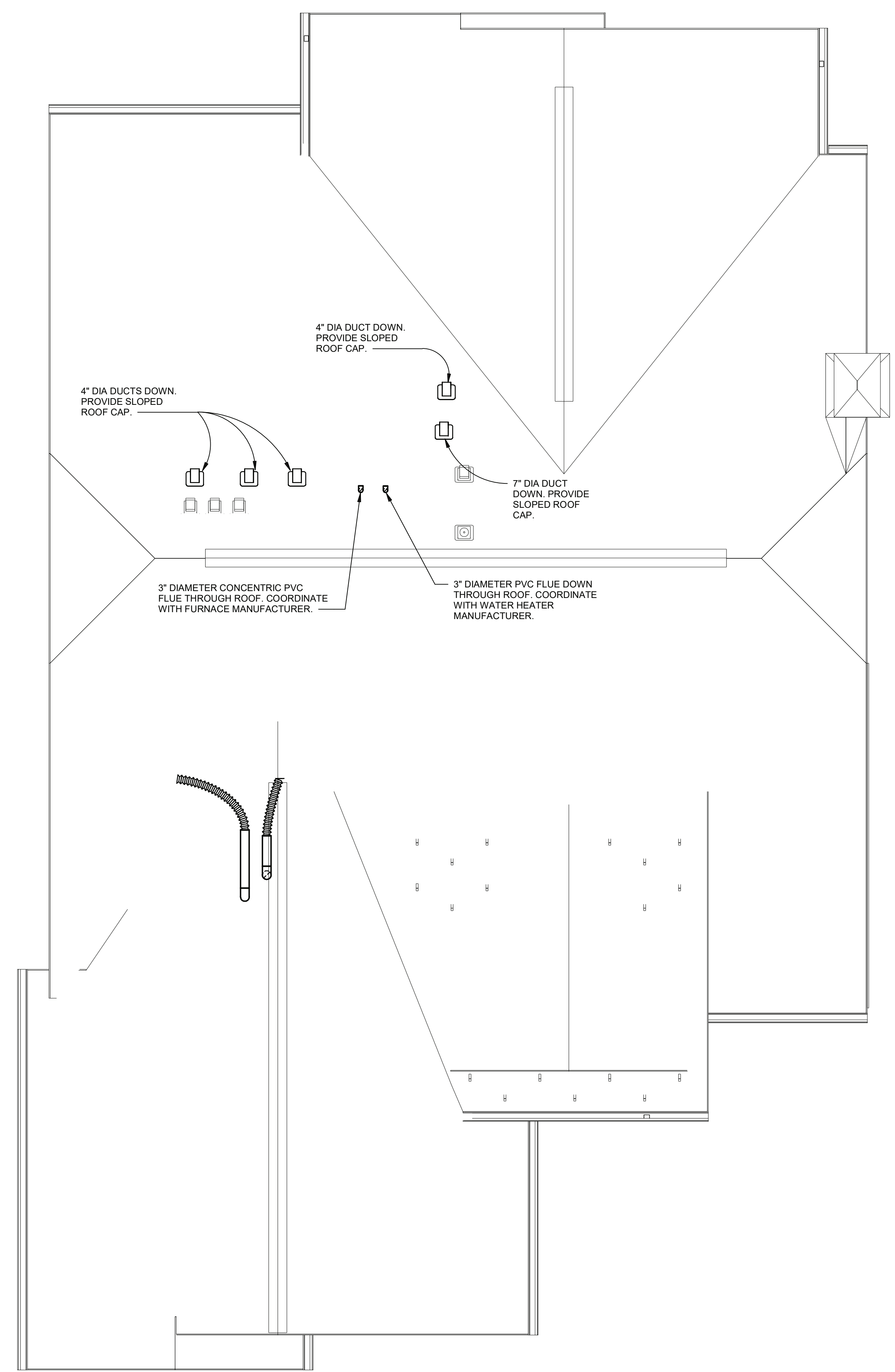
Date
03/15/2021

Scale
1/4" = 1'-0"

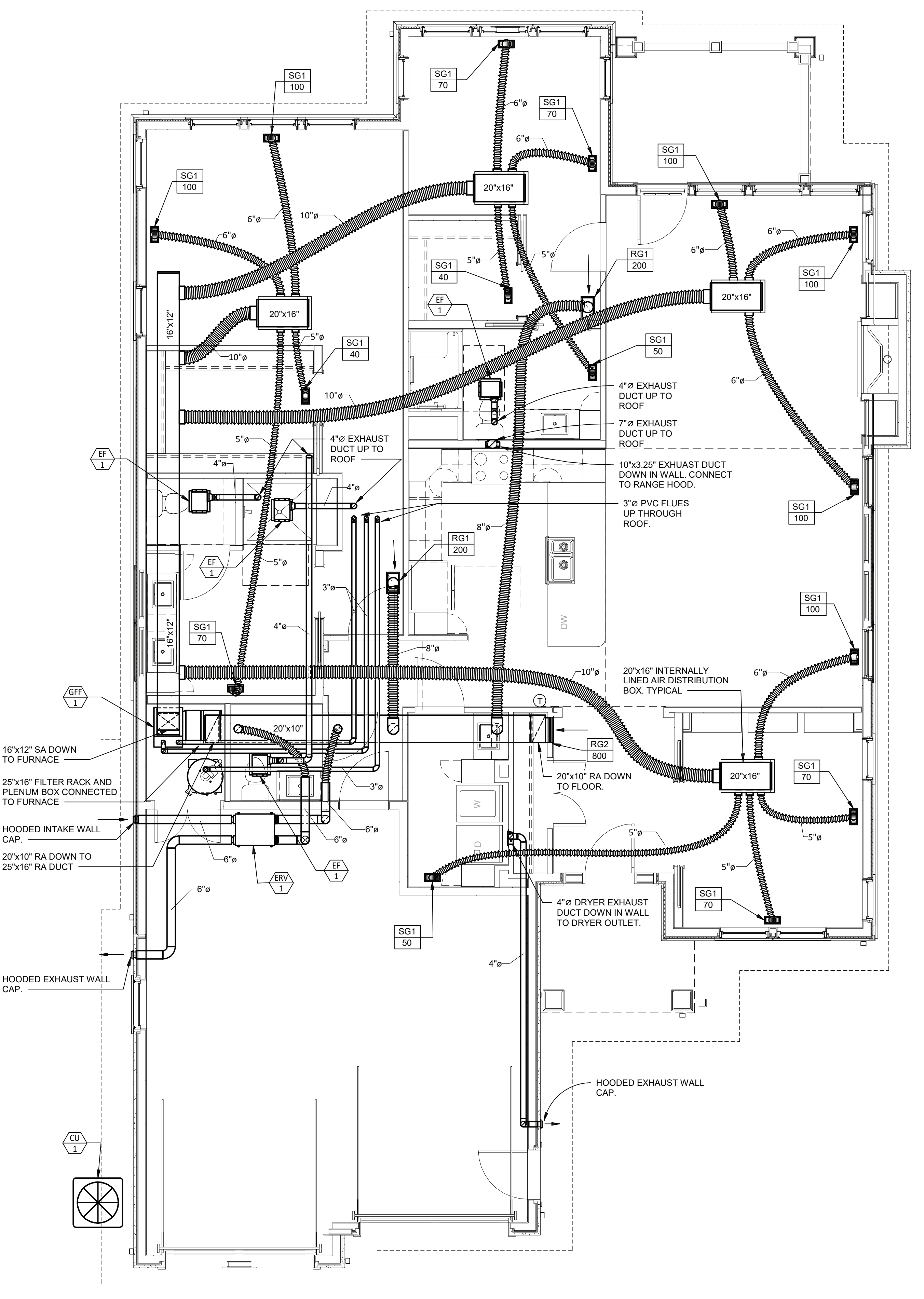
Drawing
UNIT N FLOOR PLAN - SIWANOPY I - MECHANICAL

M2.03

PERMIT / GMP SET
 © Hord Coplan Macht, Inc.



2 UNIT N - SIWANOPY I - ROOF PLAN - MECHANICAL
 1/4" = 1'-0"



1 UNIT N - SIWANOPY I - FLOOR PLAN - MECHANICAL
 1/4" = 1'-0"



SENIOR LIVING AT PURCHASE COLLEGE

BROADVIEW - SENIOR LIVING AT PURCHASE COLLEGE - VILLAS
 Purchase College Learning Corporation
 735 Anderson Hill Road
 Purchase, NY 10577-1402

hord | coplan | macht

ARCHITECTURE
 LANDSCAPE ARCHITECTURE
 PLANNING
 INTERIOR DESIGN



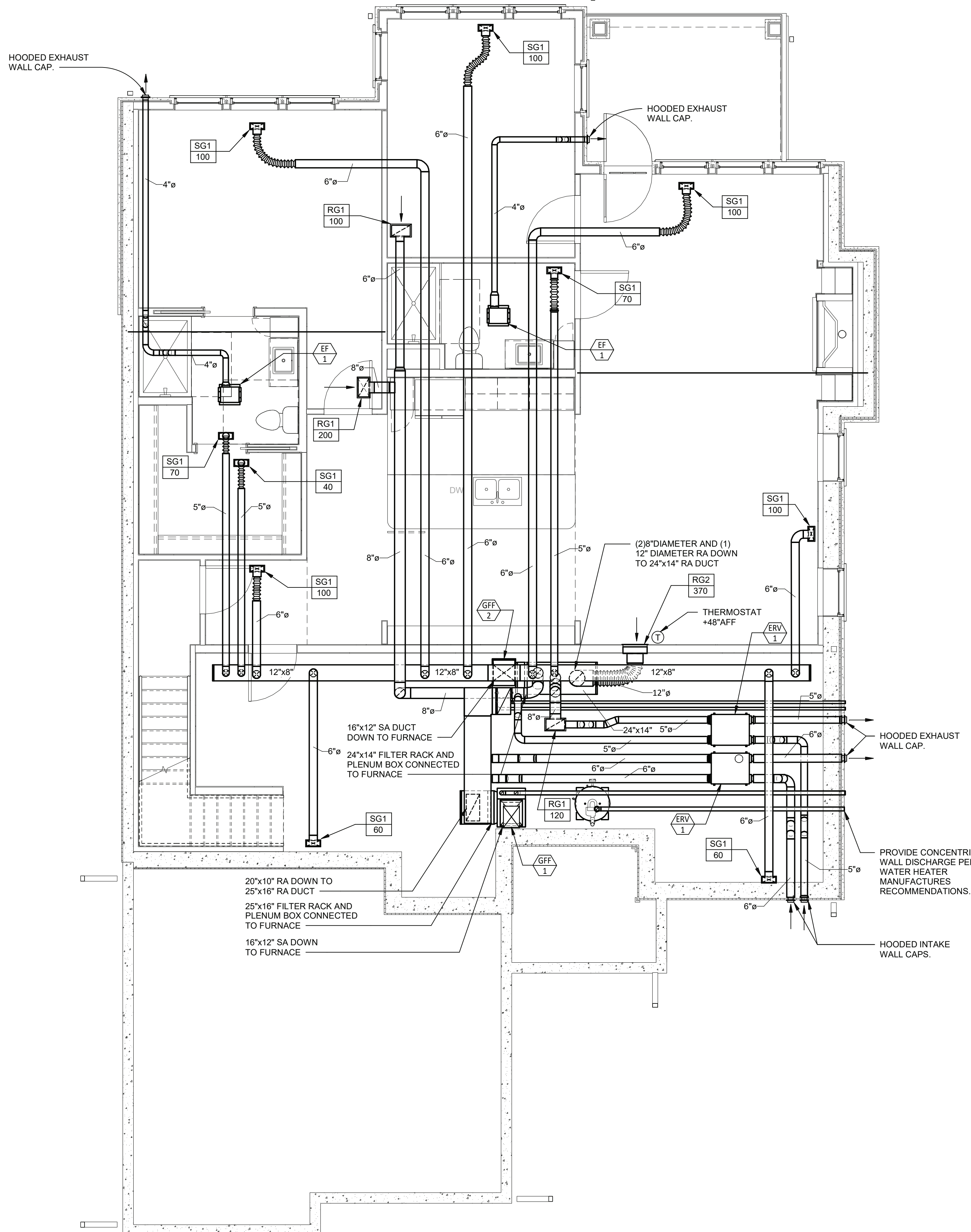
PROFESSIONAL CERTIFICATION / CERTIFY THAT THESE DOCUMENTS WERE PREPARED OR APPROVED BY ME AND THAT I AM A DULY LICENSED ARCHITECT UNDER THE LAWS OF THE STATE OF MARYLAND.
 LICENSE NUMBER: _____
 EXPIRATION DATE: _____

no.	date	revision

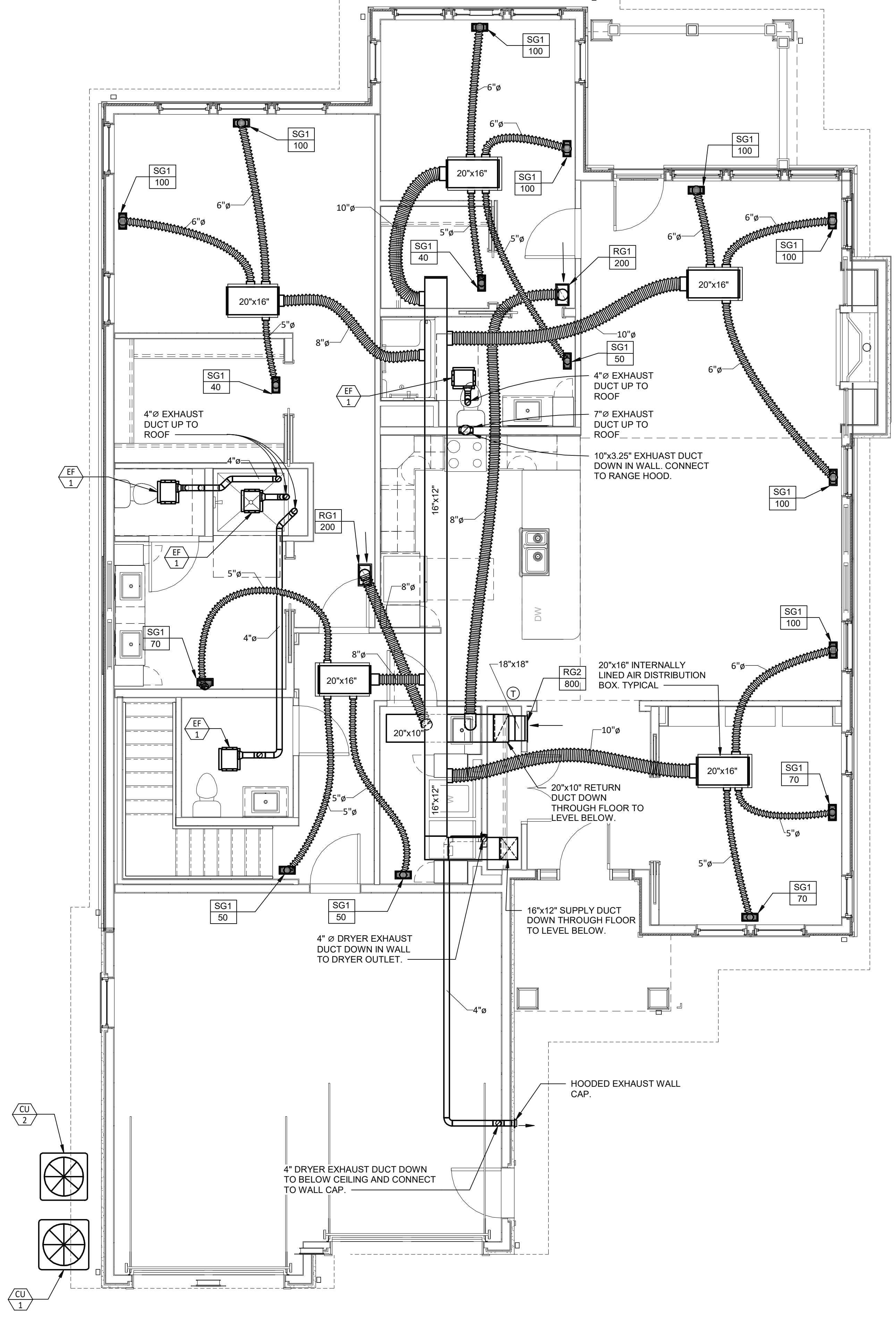
Project Name
 BROADVIEW - SENIOR LIVING AT PURCHASE COLLEGE - VILLAS
 Project Number
 215042.00
 Date
 03/15/2021
 Scale
 1/4" = 1'-0"
 Drawing
 UNIT N FLOOR PLAN - SIWANOV II - MECHANICAL

M2.03A

PERMIT / GMP SET



2 UNIT N - SIWANOV II - BASEMENT FLOOR PLAN - MECHANICAL
1/4" = 1'-0"



1 UNIT N - SIWANOV II - FLOOR PLAN - MECHANICAL
1/4" = 1'-0"

