

WIDE SPAN SHELVING ASY 061

PAGE 7 OF 10

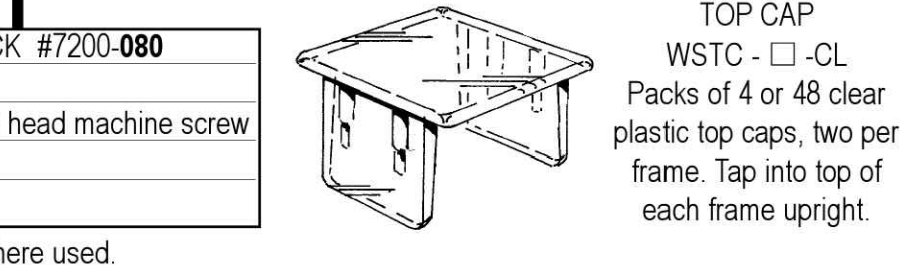
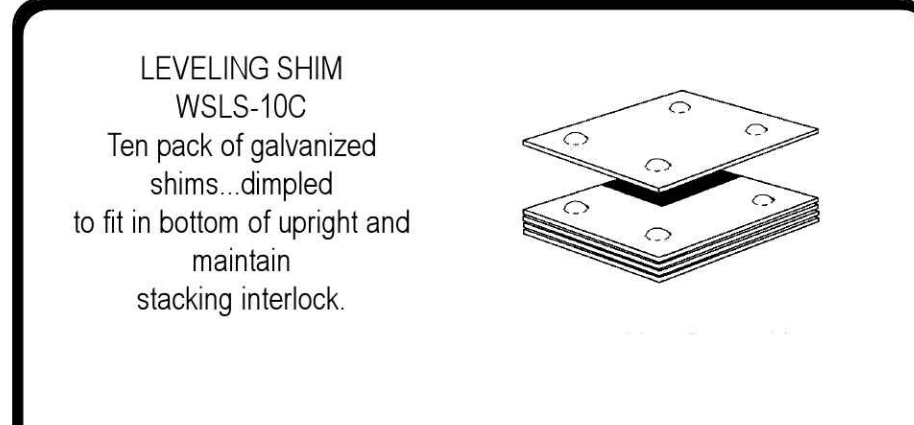
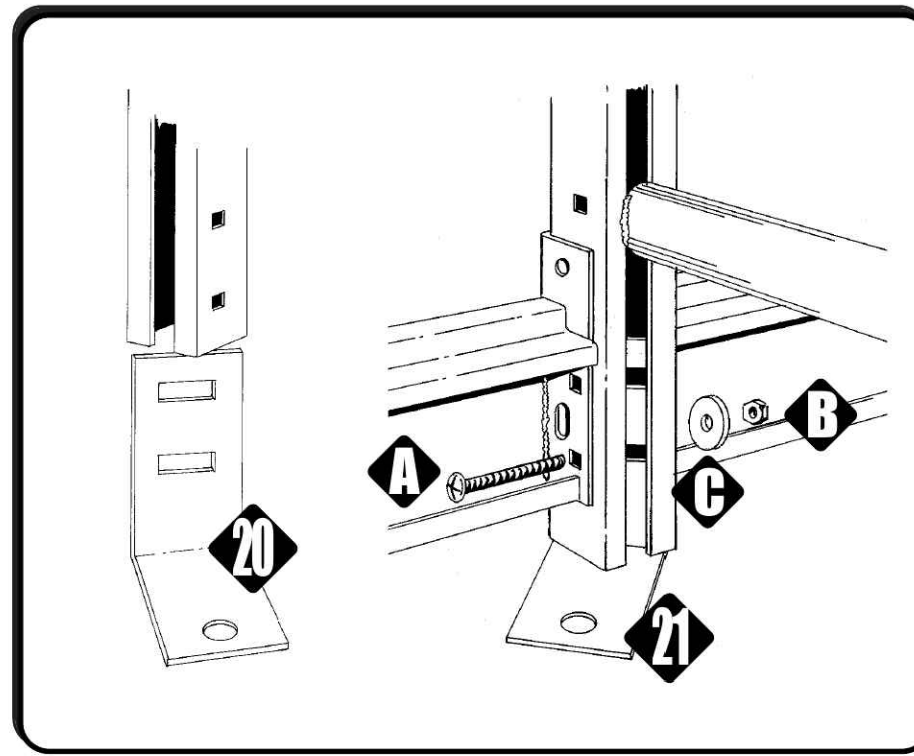
FLOOR ANCHOR WSFA-2 INSTALLATION OF EXTRAS

NOTE! IF FRAME HEIGHT, OR TOTAL HEIGHT OF CONNECTED FRAMES, IS MORE THAN SIX TIMES THE FRAME DEPTH...FRAMES MUST BE SECURED WITH FLOOR ANCHORS.

20 Insert floor anchors into the bottom of each frame. They will only insert at 45° to the frame. Make sure that anchors are inserted so that they will not project into aisles or cross aisles.

21 Follow directions on page 4 to step 6, except do not install dart clips on bottom beams. Secure beams to frames through the floor anchor as shown. The screw will go through at one of the two locations, depending on the beam size.

22 Check run alignment to chalkline prior to drilling floor for expansion bolts. Due to varying floor conditions, expansion bolts must be ordered separately. If they were not ordered initially, but are required, see page 8 to order from Madix or purchase locally.



WSFA-2 HARDWARE PACK #7200-080

QTY	ITEM DESCRIPTION
2	1/4 - 20 x 2 1/2" round head machine screw
2	1/4 - 20 hex nut
2	1/4" flat washer

...indicates item, where used.

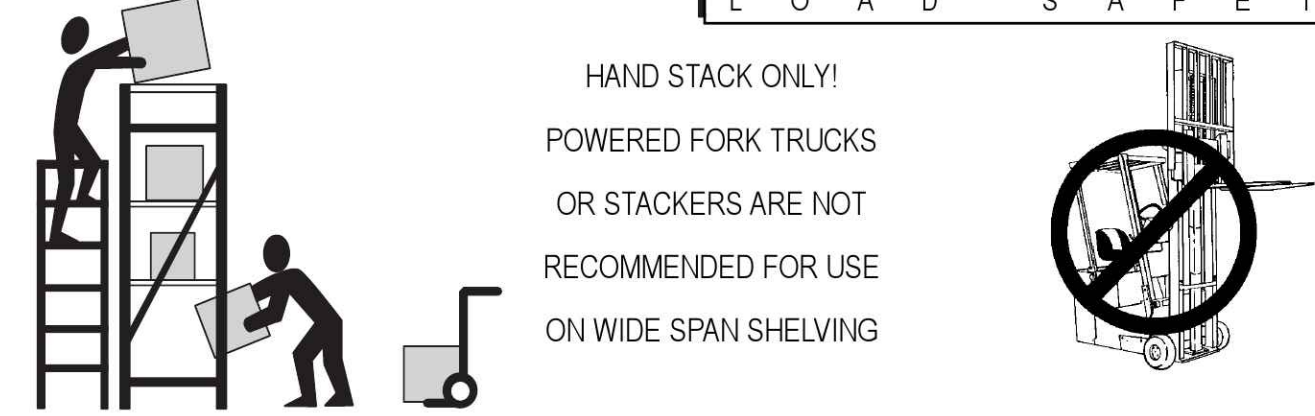
LEVELING SHIM WSL-10C
Ten pack of galvanized shims...dimpled to fit in bottom of upright and maintain stacking interlock.

TOP CAP WSTC - □-CL
Packs of 4 or 48 clear plastic top caps, two per frame. Tap into top of each frame upright.

WIDE SPAN SHELVING ASY 061

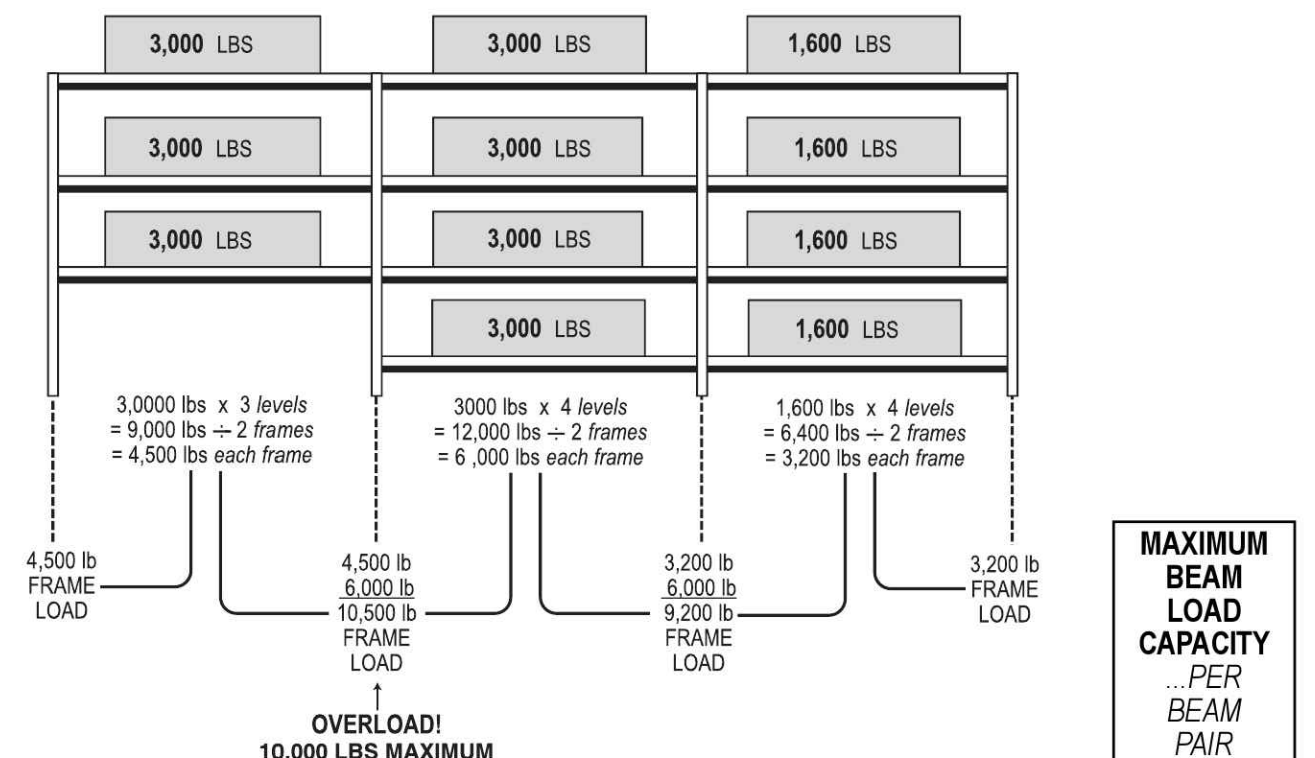
PAGE 8 OF 10

LOAD SAFETY



FRAME LOADING

Frame loading is the vertical load, measured in pounds, that can be applied on any Wide span frame. Each Wide span frame will bear **ONE HALF OF THE LOAD ON EACH BEAM PAIR** that it supports. ALL FRAMES HAVE 10,000 POUND LOAD CAPACITY!



WIDE SPAN SHELVING ASY 061

PAGE 9 OF 10

SAFETY DURING INSTALLATION

GENERAL

- Contact the local building department prior to starting installation to check on any restrictions.
- Only parts and accessories produced or supplied by Madix are covered by Madix warranty.
- Installation sequence must be followed exactly for assembly and leveling.
- Under no circumstances should damaged parts be used.
- Do not use shelving parts or accessories for any purpose other than originally intended.
- Installation instructions with product load ratings are included with each order and must be followed carefully.
- Merchandisers must be made aware of possible overloading as specified in load ratings. If you do not receive these, please contact your sales or customer service representative.
- Initial installation or relocation of Madix gondola, wall or racking fixtures should be supervised exclusively by qualified personnel.

RACKING... FRAMES / BEAMS

- Observe all prohibitions in the installation instructions on the use of powered lifts.
- A minimum of four people are required to erect frames taller than 8'.
- Be sure all beams or accessories are completely seated and locked or secured in frame slotting.
- Ladders, if used, should be at least frame height.
- Never stand on lower beams to install upper beams.
- Do not walk on decks, especially wire grid.
- Never try to move a completed racking run, especially if merchandised.

WIDE SPAN SHELVING ASY 061

PAGE 10 OF 10

ANCHORING TO THE FLOOR

EXPANSION BOLTS FOR FLOOR ANCHORS
...50 expansion bolts, 3/8"-16 x 3 1/2" POWERS/ Power-Stud+SD2 concrete anchors or other ICC (ICBO) approved expansion bolts.

SFA-EB50: See below for other ICC (ICBO) approved expansion bolts which may be used.

NOTE! The expansion anchors provided by Madix for floor anchoring at this site have been supplied by one of the firms listed below. All the anchors have been tested and approved as stated by the following ICC (ICBO) report numbers and all are manufactured in the United States or Canada. If the anchors are not provided by Madix and field substitution other than listed be proven, Madix cannot be held responsible. Should verification be required, call Madix Customer Service at: 800.776.2349

	ICC (ICBO) #
COBRA ANCHORS CORP., Parawedge concrete anchors	ER-2350 S1
DIVERSIFIED FASTENING SYSTEMS, DFS Wedge anchor	ER-4194 S1
GUNNEBO FASTENING CORP., Drop-in concrete anchors	ER-3219 S1
HILTI, INC., Kwik-bolt-TZ concrete anchors	ESR-1917
MKT FASTENING, High Load Anchor SZ	AC-193
ITW RAMSET/RED HEAD, ITW Ramset stud, Trubolt wedge concrete anchors	ESR-2251
MARKSMAN MANUFACTURING CO., Thunderstud wedge and sleeve anchor	ER-2713 S1
POWERS FASTENING INNOV., Power-Stud+SD2 concrete anchors	ESR-2502
WEJ-IT, Wej-it anchors bolt and ANKR-TITE wedge anchor	ER-1825
CYW, INC., POWERBULL Wedge anchor	ESR-2254

*Embedment must be minimum 5x bolt diameter.

OTHER ICC (ICBO) APPROVED ANCHORING MATERIALS... not furnished by Madix

PNEUMATIC OR POWDER-DRIVEN STEEL STUDS AND NAILS
HILTI, INC., Hilti low velocity powder actuated or pneumatically driven fasteners ESR-1663
ITW RAMSET/RED HEAD, Ramset Powder-Actuated and PowerPoint fasteners ESR-1799

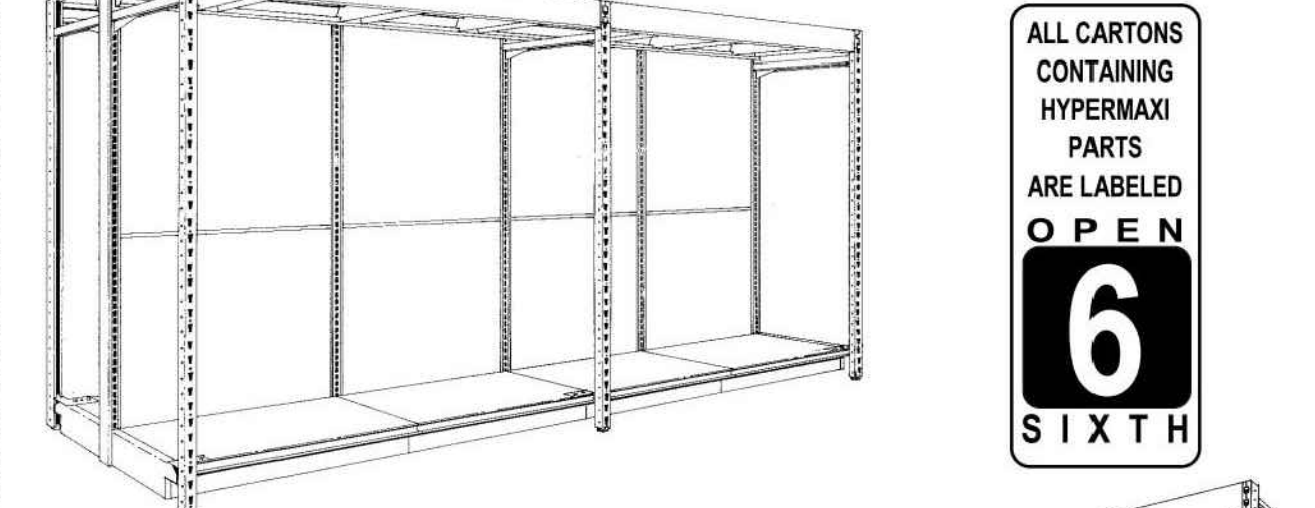
ADHESIVE/ EPOXY ANCHORS
HILTI, INC., HIT-HY 150 Adhesive anchor system ESR-2678
ITW RAMSET/RED HEAD, ITW Red Head Epon system Ceramic G+ epoxy anchors ESR-3577

REV#	DATE	DESCRIPTION	BY	DATE	REV#	DATE	DESCRIPTION	BY	DATE
01	5/13/96	UPDATED TO CORRECT ANCHOR INFO	BAM	1/7/14	04	5/14/14	ADDED HEIGHT/DEPTH RATIO	NRD	08/21/18
02	5/14/96	ADDED HEIGHT/DEPTH RATIO	CAR	02/16/14					
03	5/16/96	SHOWED LD BEAM DART CLIP ON PG 4	YED	08/29/19					

HYPERMAXI ASY 083

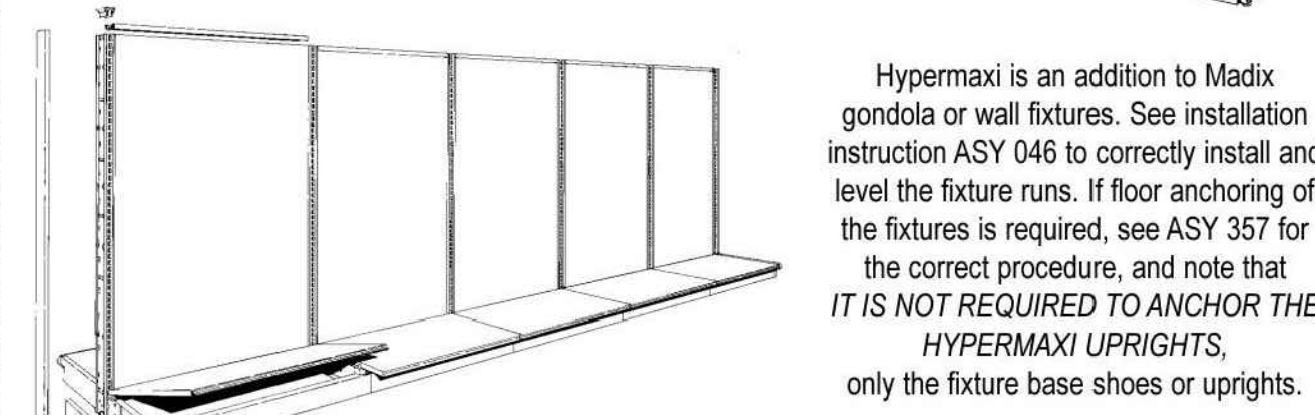
PAGE 1 OF 8

INSTALLATION INSTRUCTIONS



PAGE 2-3 ... PARTS IDENTIFICATION
PAGE 4-6 ... BASIC INSTALLATION
PAGE 7 ... INSTALLATION OF EXTRAS
PAGE 8 ... SAFETY/LOAD CAPACITY

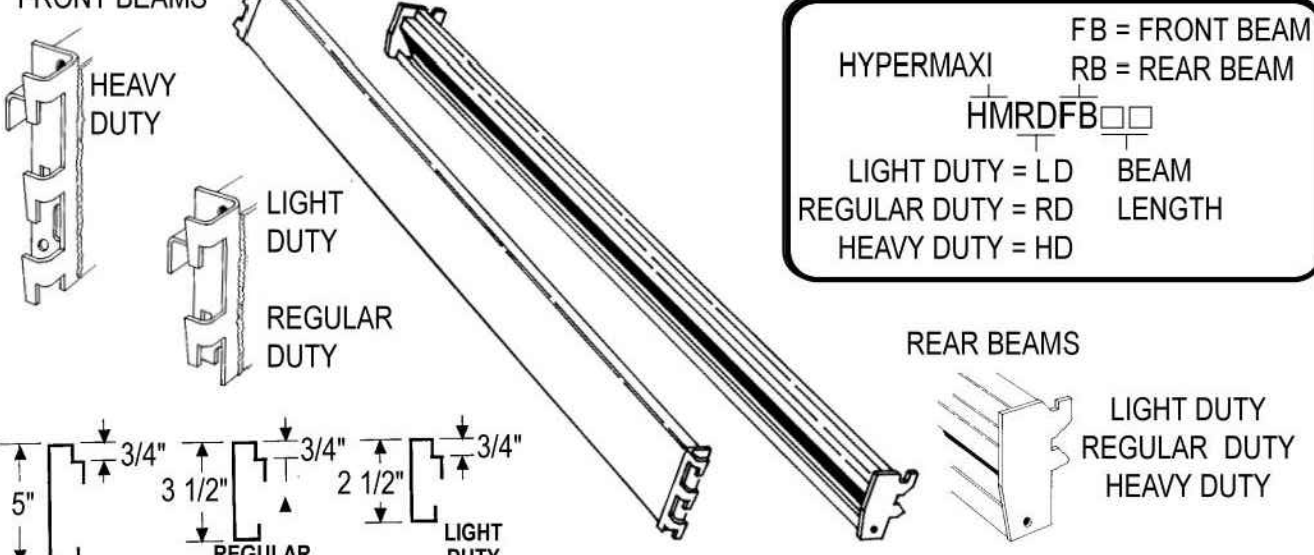
NOTE!
This publication is intended to be a generic installation instruction for Madix Hypermaxi, and may possibly be subject to change as required by local building codes. Consult the building inspection department at job site.



HYPERMAXI ASY 083

PAGE 2 OF 8

PARTS IDENTIFICATION

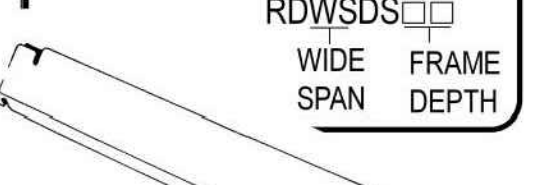


DIMENSIONS

Deck Supports Upright Depth	Actual Length	Beam Length	Actual Length Inside of brackets
18"	20"	36"	48 3/16"
20"	26"	48"	60 3/16"
22"	32"	72"	72 3/16"
24"	38"	84"	84 3/16"
30"	44"	96"	96 3/16"



LIGHT DUTY = LD
REGULAR DUTY = RD
HEAVY DUTY = HD



UPRIGHT DIMENSIONS

Upright Depth	Actual Depth	Upright Height	Actual Height
18"	20"	72"	48 1/8"
20"	26"	78"	60 1/8"
22"	32"	84"	72 1/8"
24"	38"	90"	84 1/8"
30"	44"	96"	96 1/8"
		102"	102 1/8"
		108"	108 1/8"
		114"	114 1/8"
		120"	120 3/16"
		126"	126 3/16"
		132"	132 3/16"
		138"	138 3/16"
		144"	144 3/16"

*...12 is for mounting light fixtures above the upright arm...see page 7.

DO NOT SCALE THESE DRAWINGS

REVISIONS

#	DATE	TYPE
1		
2		
3		
4		
5		
6		
7		
8		
9		

RACKING / FIXTURE SPECIFICATIONS AND DETAILS

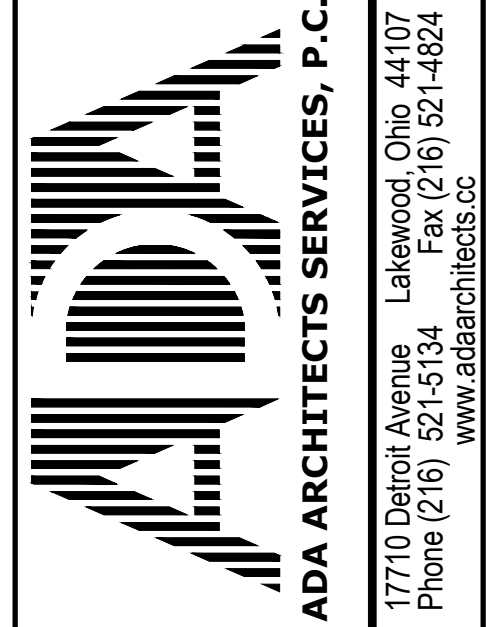
DATE 9/22/21
JOB NO. 20420

A1.9
SHEET NO.

HARBOR FREIGHT TOOLS

NYACK, NY 10960

314 NY ROUTE 59



THESE DOCUMENTS CONTAIN INFORMATION PROPRIETARY TO ADA ARCHITECTS SERVICES, P.C. UNAUTHORIZED USE OF THESE DOCUMENTS IS EXPRESSLY PROHIBITED UNLESS AGREED UPON IN WRITING.