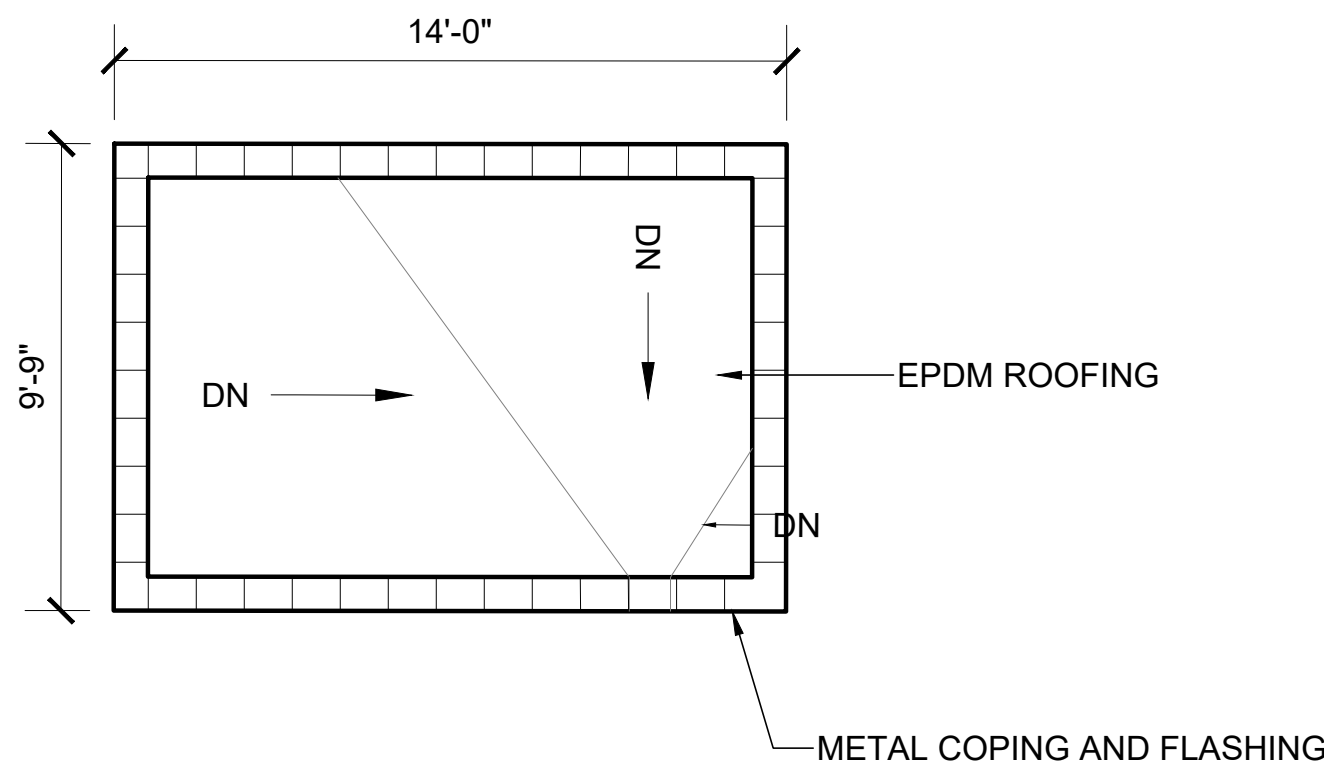


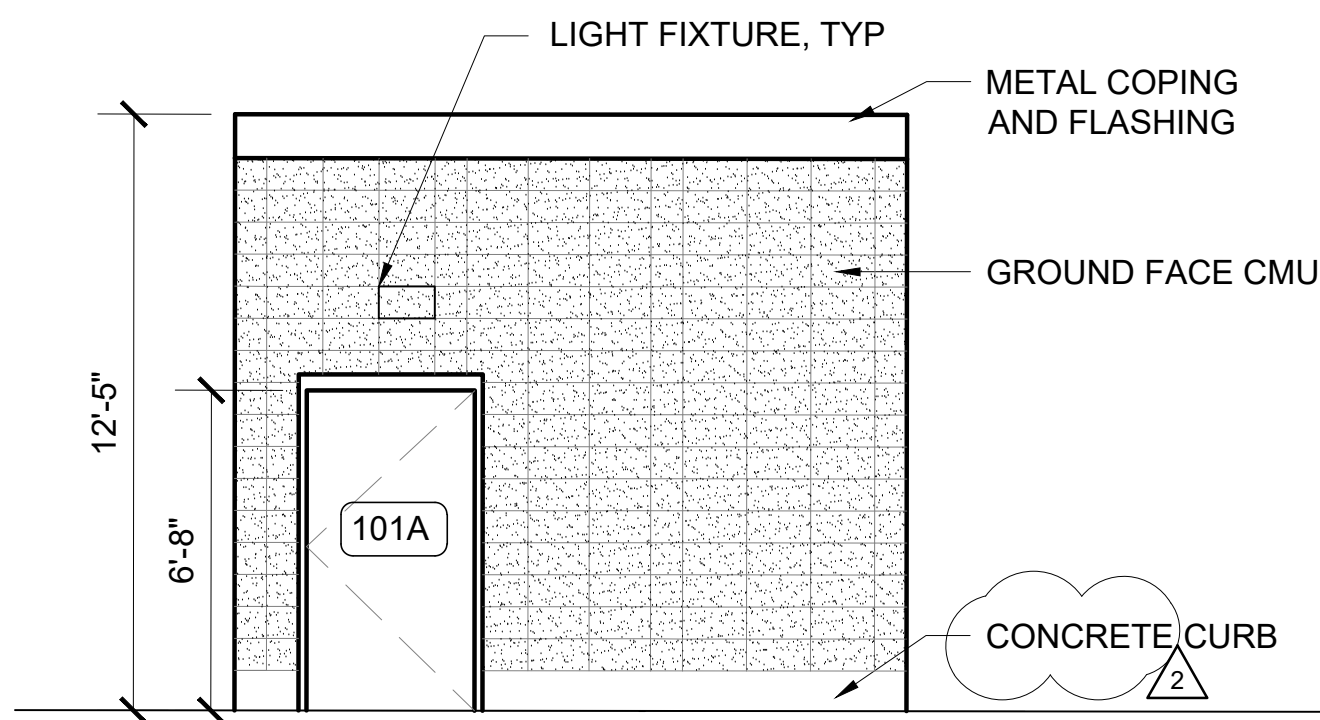
ENLARGED W1 ELEVATOR MACHINE ROOM PLAN

1
A-601 1/4"=1'-0" 0 2' 4' 8'



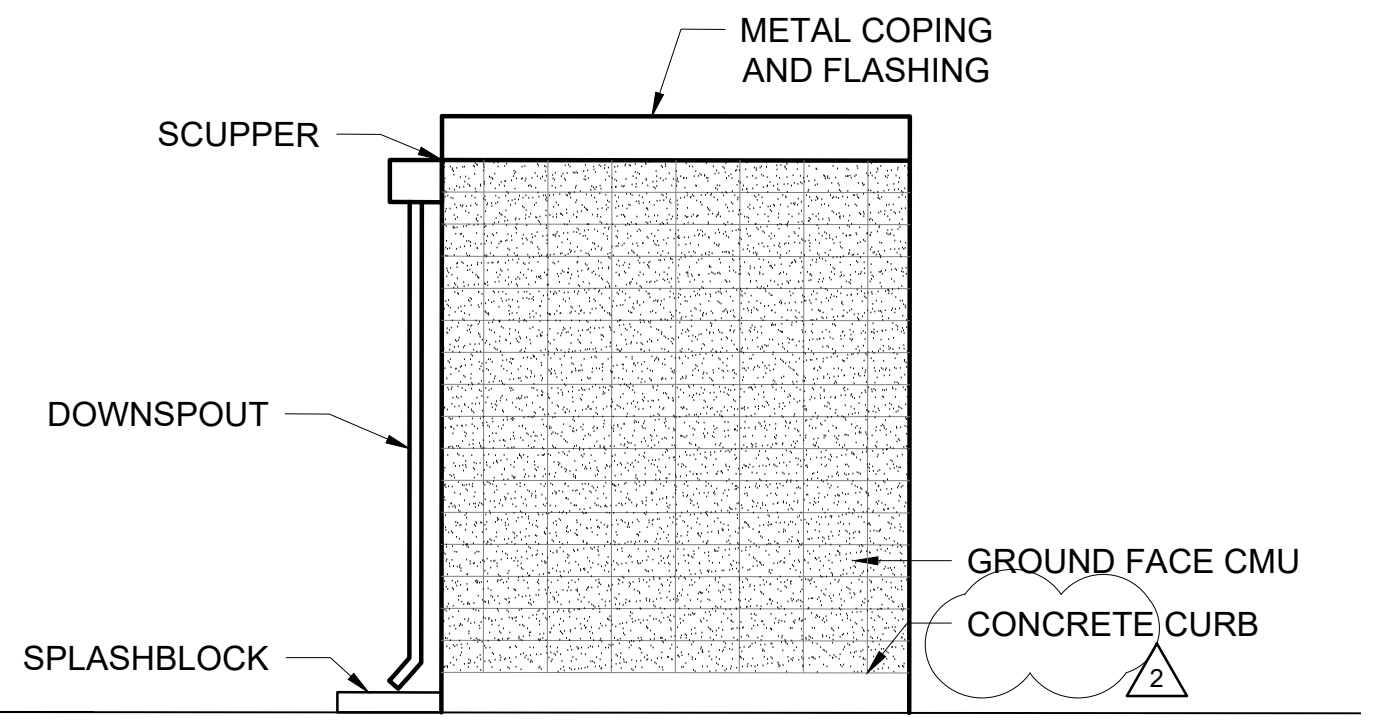
ENLARGED W1 ELEVATOR MACHINE ROOM ROOF PLAN

2
A-411 1/4"=1'-0" 0 2' 4' 8'



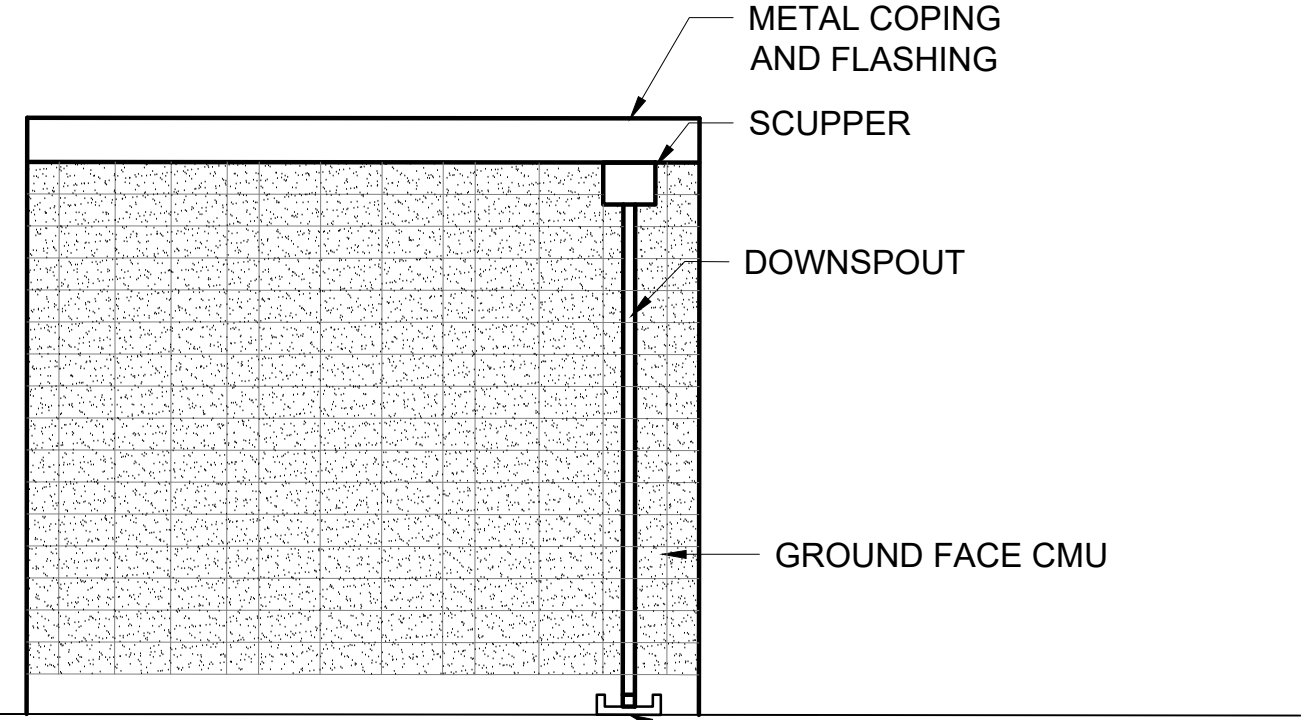
W1 ELEVATOR MACHINE ROOM NORTH ELEVATION

3
A-601 1/4"=1'-0" 0 2' 4' 8'



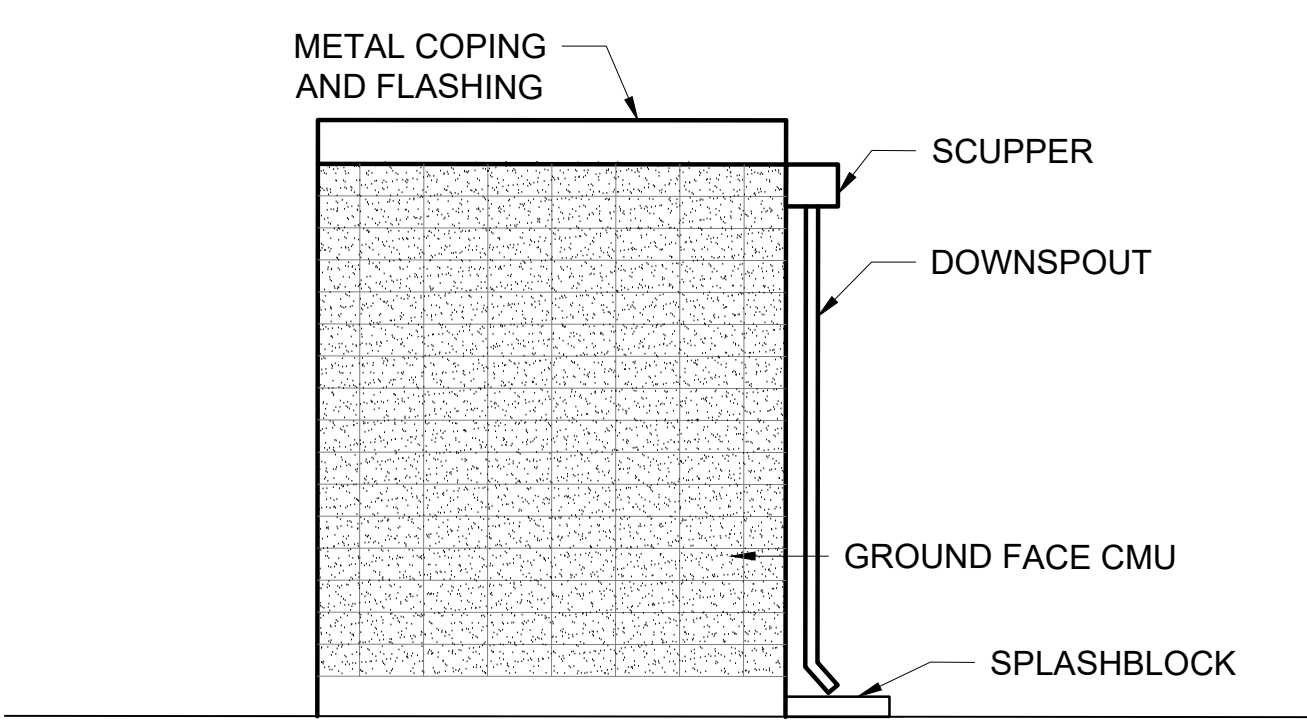
W1 ELEVATOR MACHINE ROOM EAST ELEVATION

4
A-601 1/4"=1'-0" 0 2' 4' 8'



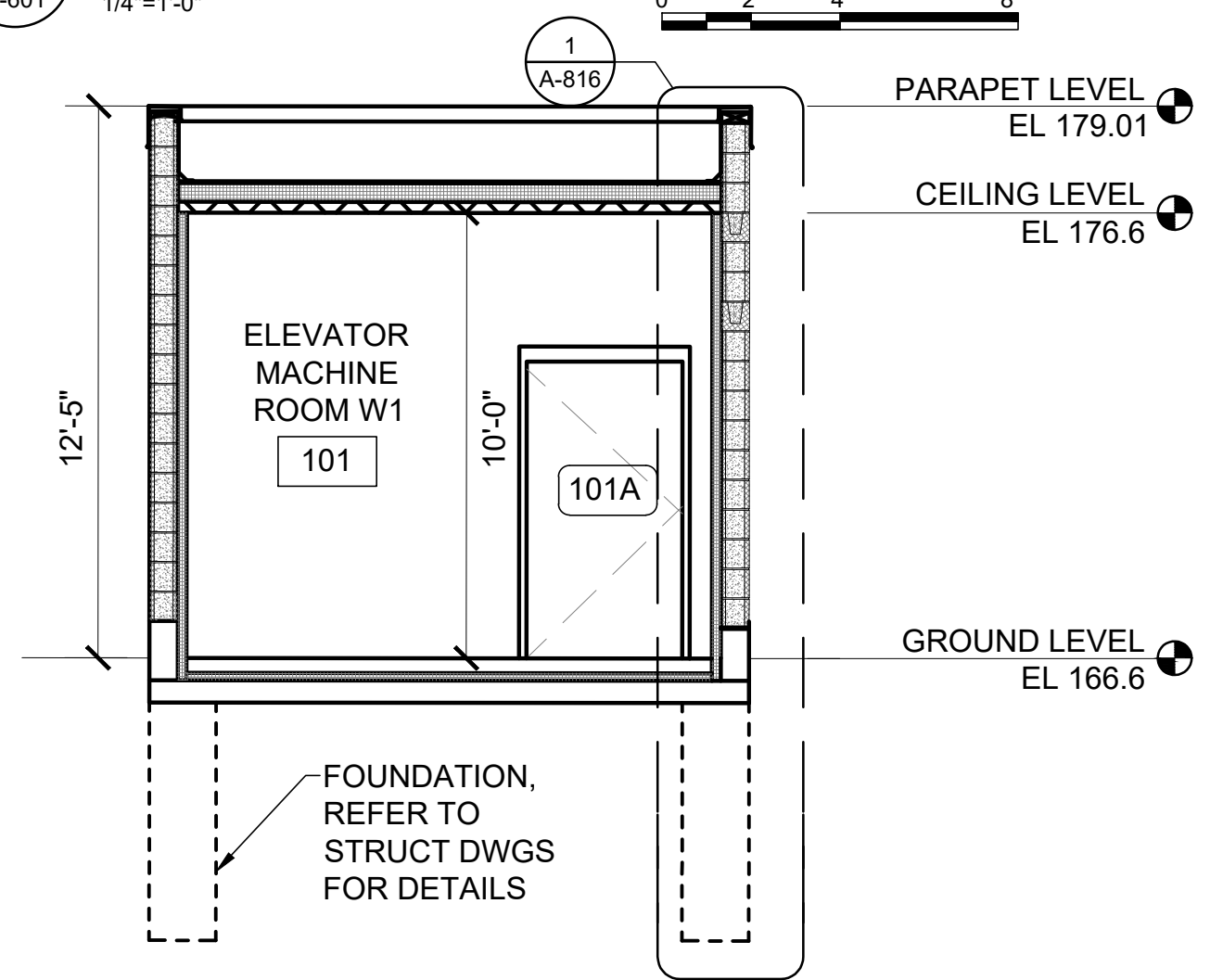
W1 ELEVATOR MACHINE ROOM SOUTH ELEVATION

5
A-601 1/4"=1'-0" 0 2' 4' 8'



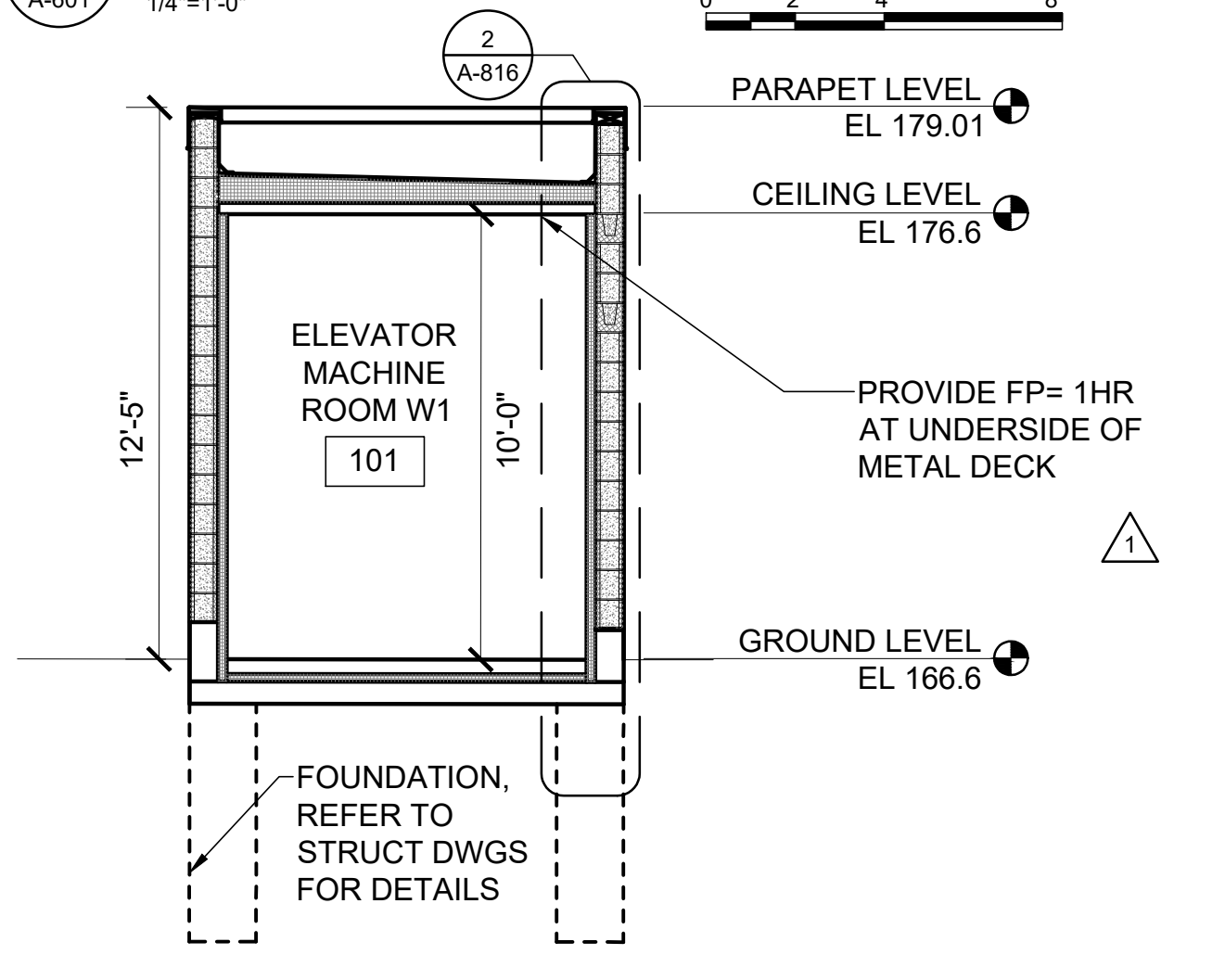
W1 ELEVATOR MACHINE ROOM WEST ELEVATION

6
A-601 1/4"=1'-0" 0 2' 4' 8'



W1 ELEVATOR MACHINE ROOM SECTION A

A
A-601 1/4"=1'-0" 0 2' 4' 8'



W1 ELEVATOR MACHINE ROOM SECTION B

B
A-601 1/4"=1'-0" 0 2' 4' 8'

LEGEND:
 16" LIGHT COLOR
 8" LIGHT COLOR

DESIGNED	PL
DRAWN	GD
CHECKED	EC
APPROVED	PL

NO.	DATE	DESCRIPTION	DRWN	CHKD	APPVD
2	09/27/21	ADDENDUM 5	VJD	PL	PL
1	09/10/21	ADDENDUM 3	VJD	PL	PL

NO.	DATE	DESCRIPTION	DRWN	CHKD	APPVD
CONFORMED					

225 PARK AVENUE SOUTH,
NEW YORK, NY 10003

420 Lexington Avenue
New York, NY 10017

TITLE
 HARTSDALE AND SCARSDALE STATION
 IMPROVEMENTS
**ENLARGED ELEVATOR W1
 MACHINE ROOM PLANS,
 ELEVATIONS AND SECTIONS**
 HARTSDALE STATION

100% RFC SUBMISSION

CONTRACT NO. 1000106733	DATE 08/03/2021
SCALE 1/4" = 1'-0"	
DRAWING NO. HTD-A-601	
SHEET 34 OF 99	