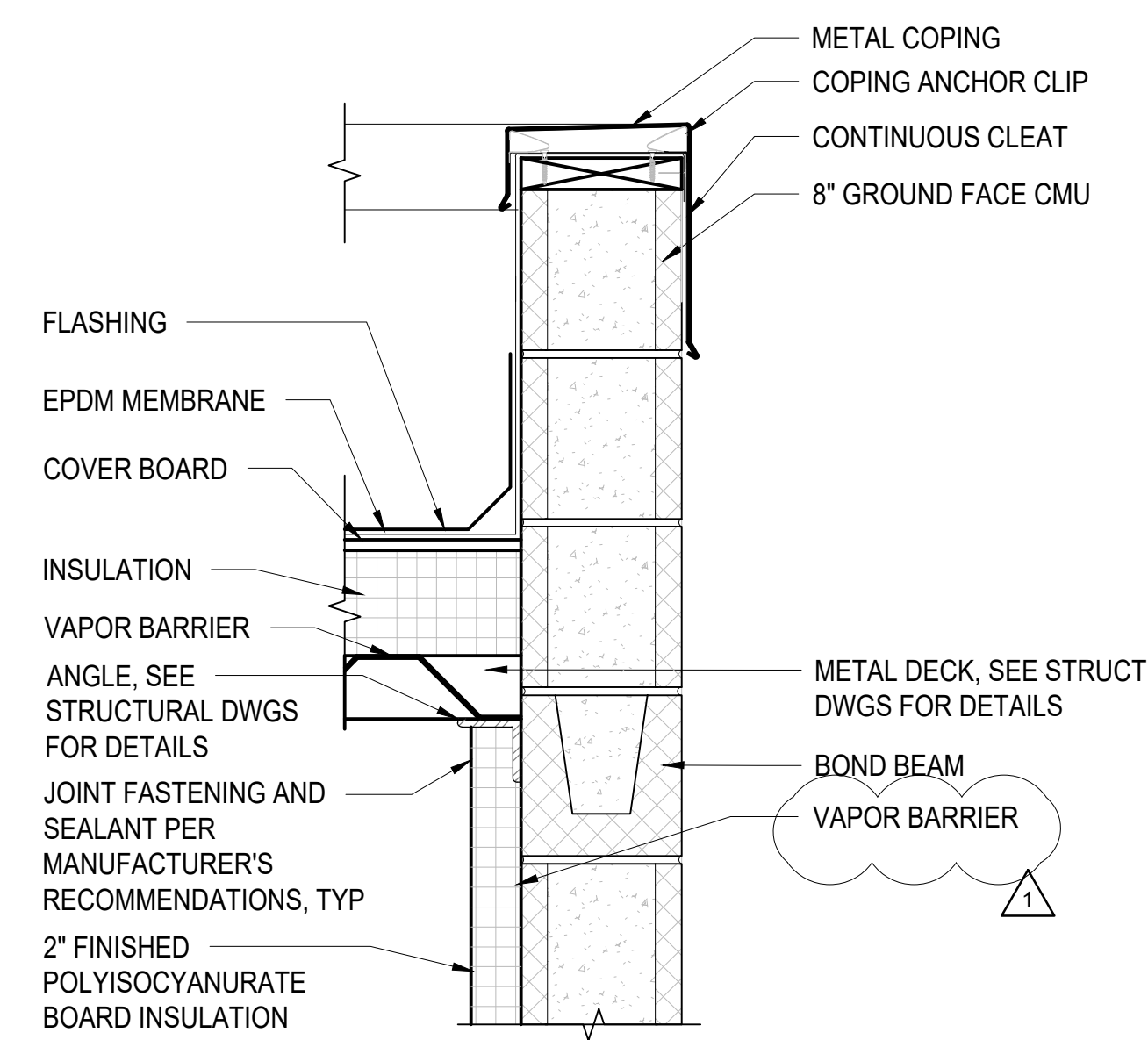
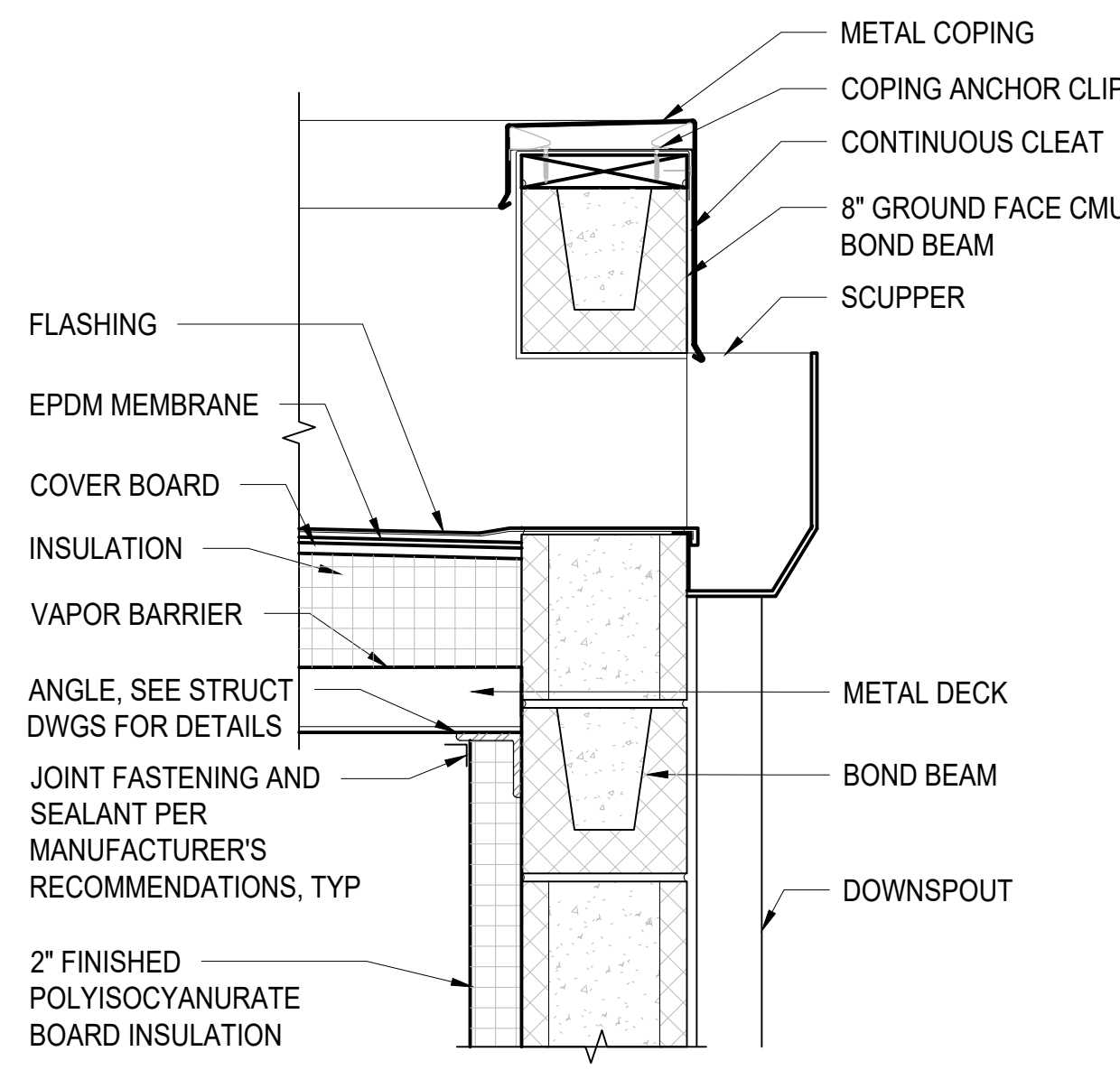


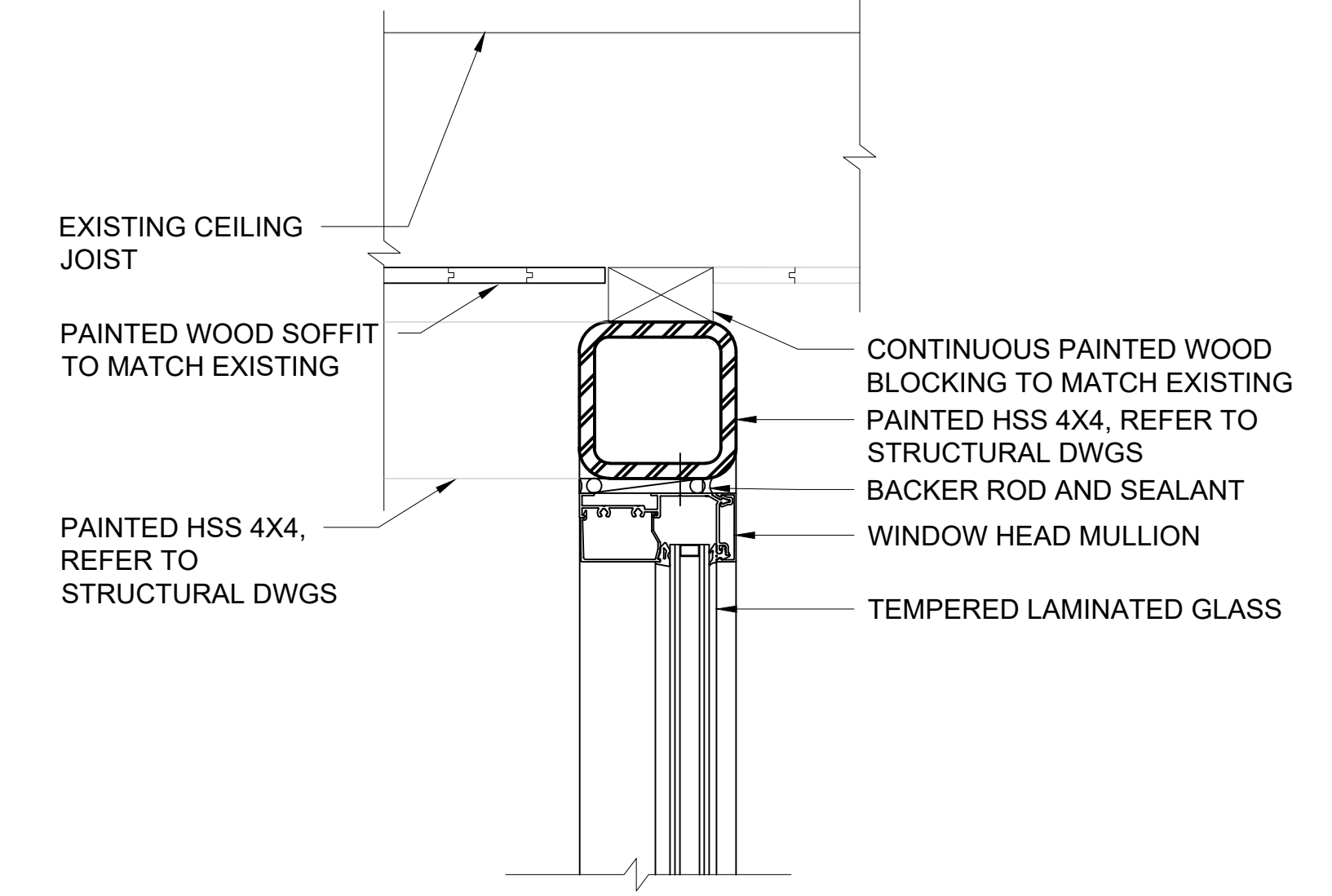
1 TYP DETAIL AT DOOR
 1 1/2"=1'-0"
 0 1' 1'6"



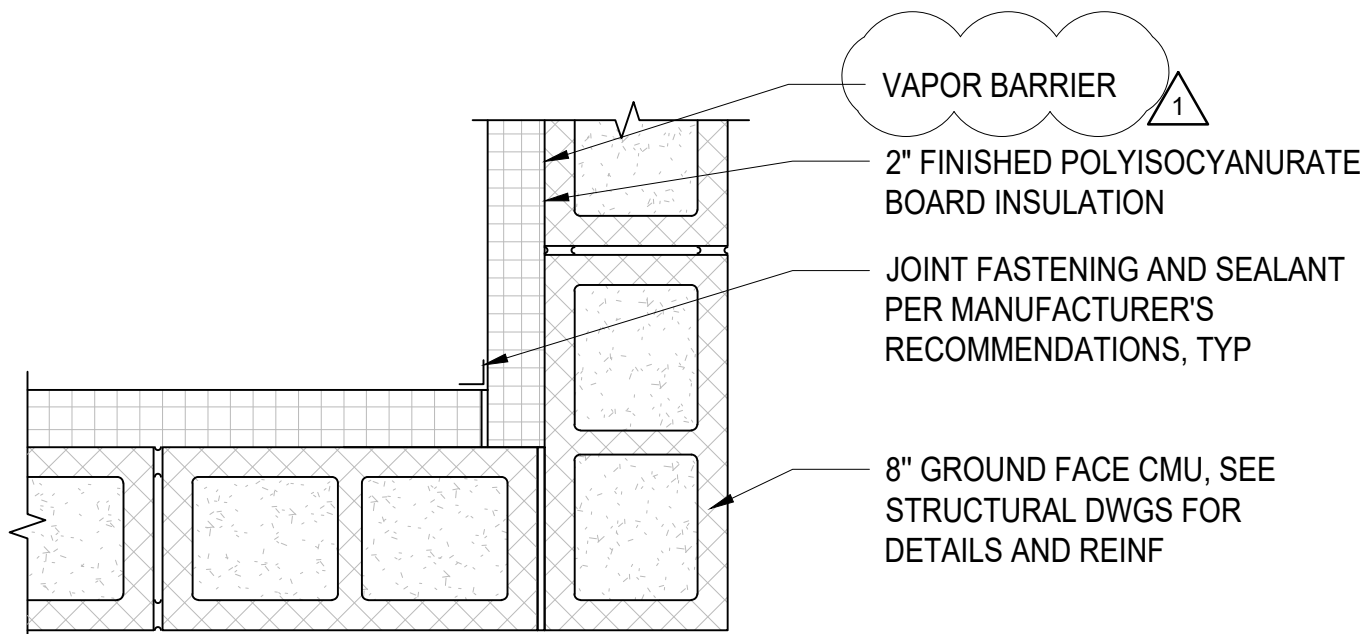
4 SECTION DETAIL
 1 1/2"=1'-0"
 0 1' 1'6"



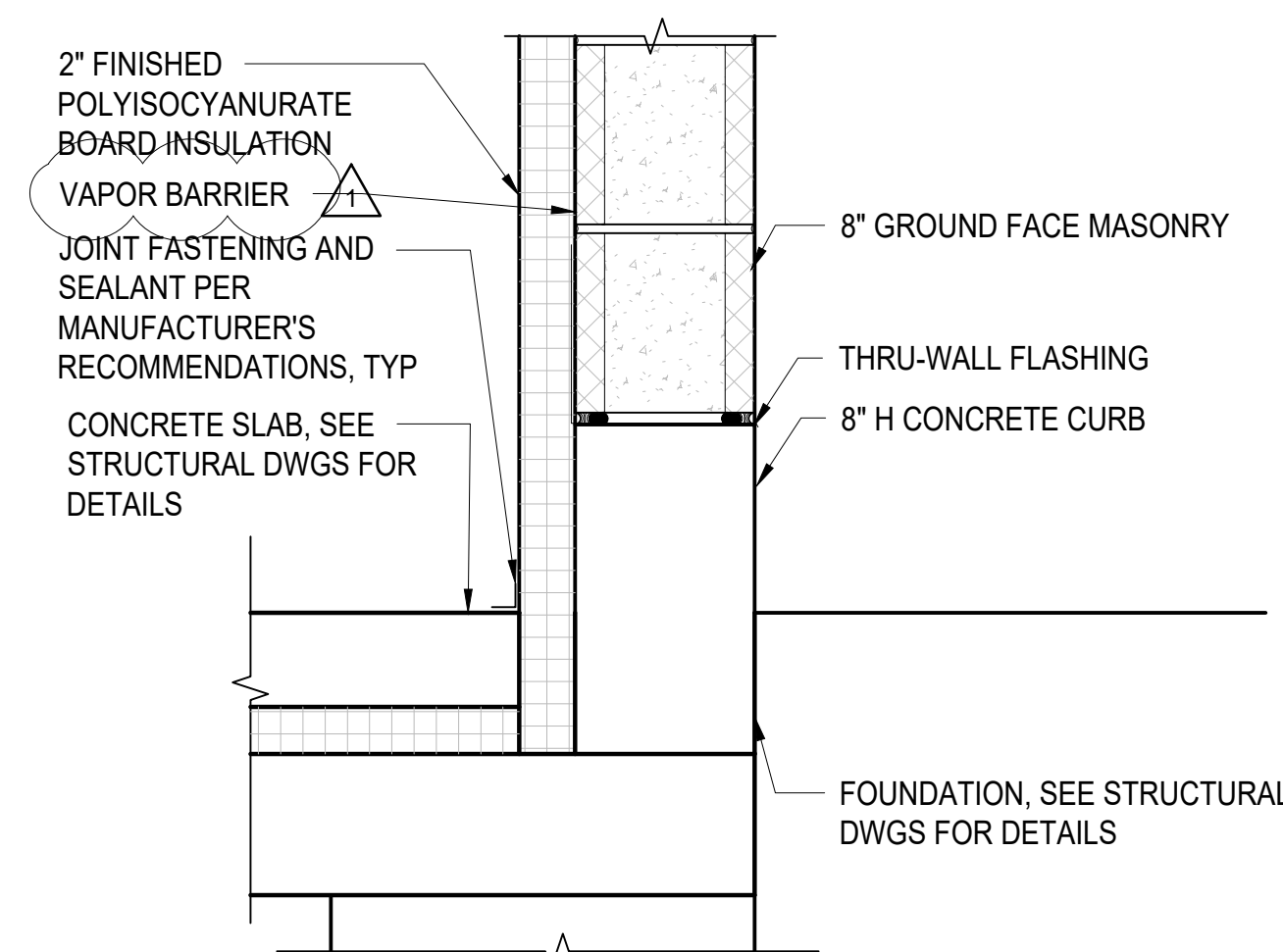
6 SECTION DETAIL
 1 1/2"=1'-0"
 0 1' 1'6"



7 SECTION DETAIL
 3"=1'-0"
 0 3' 6" 9"



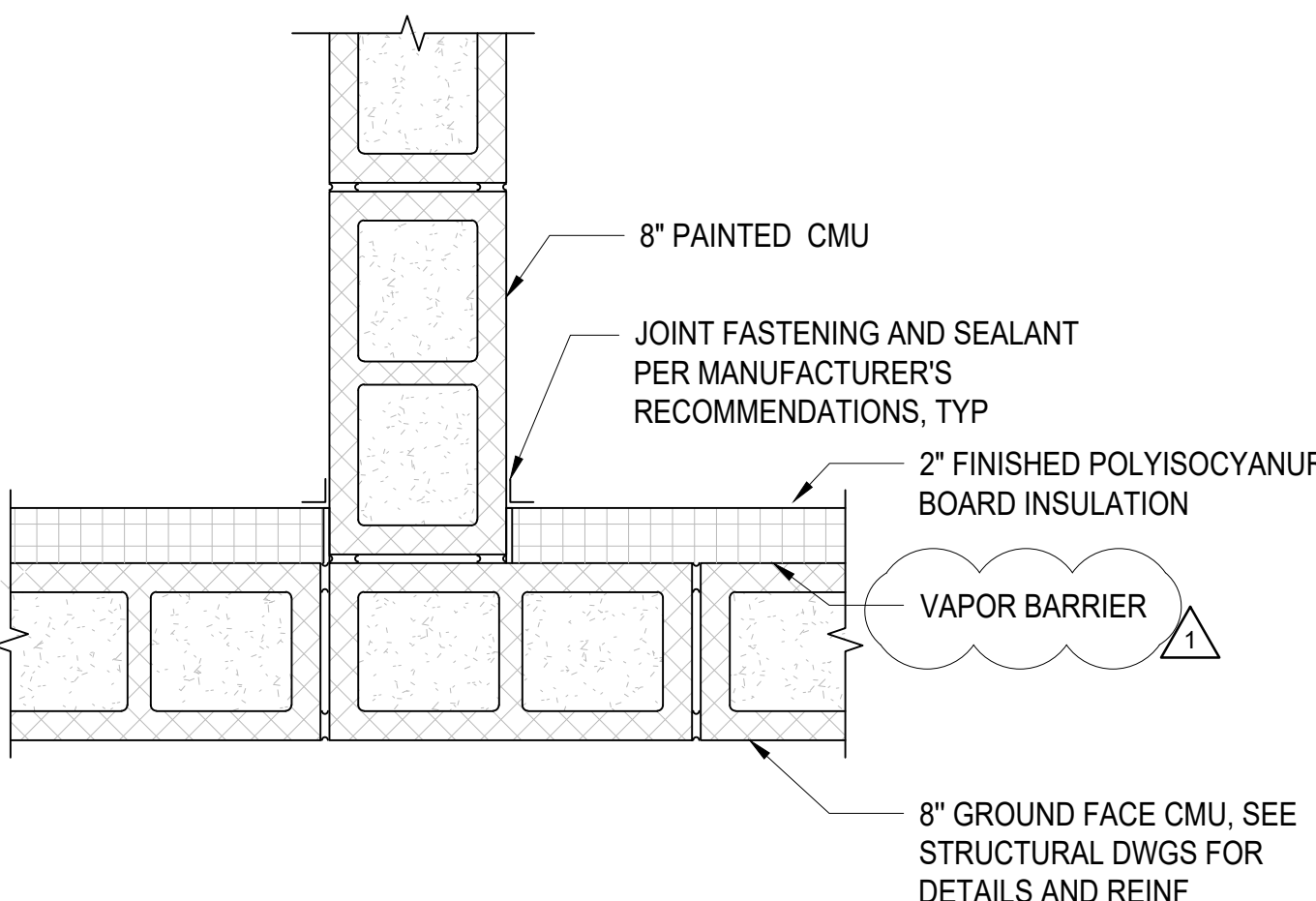
2 TYP CORNER DETAIL
 1 1/2"=1'-0"
 0 1' 1'6"



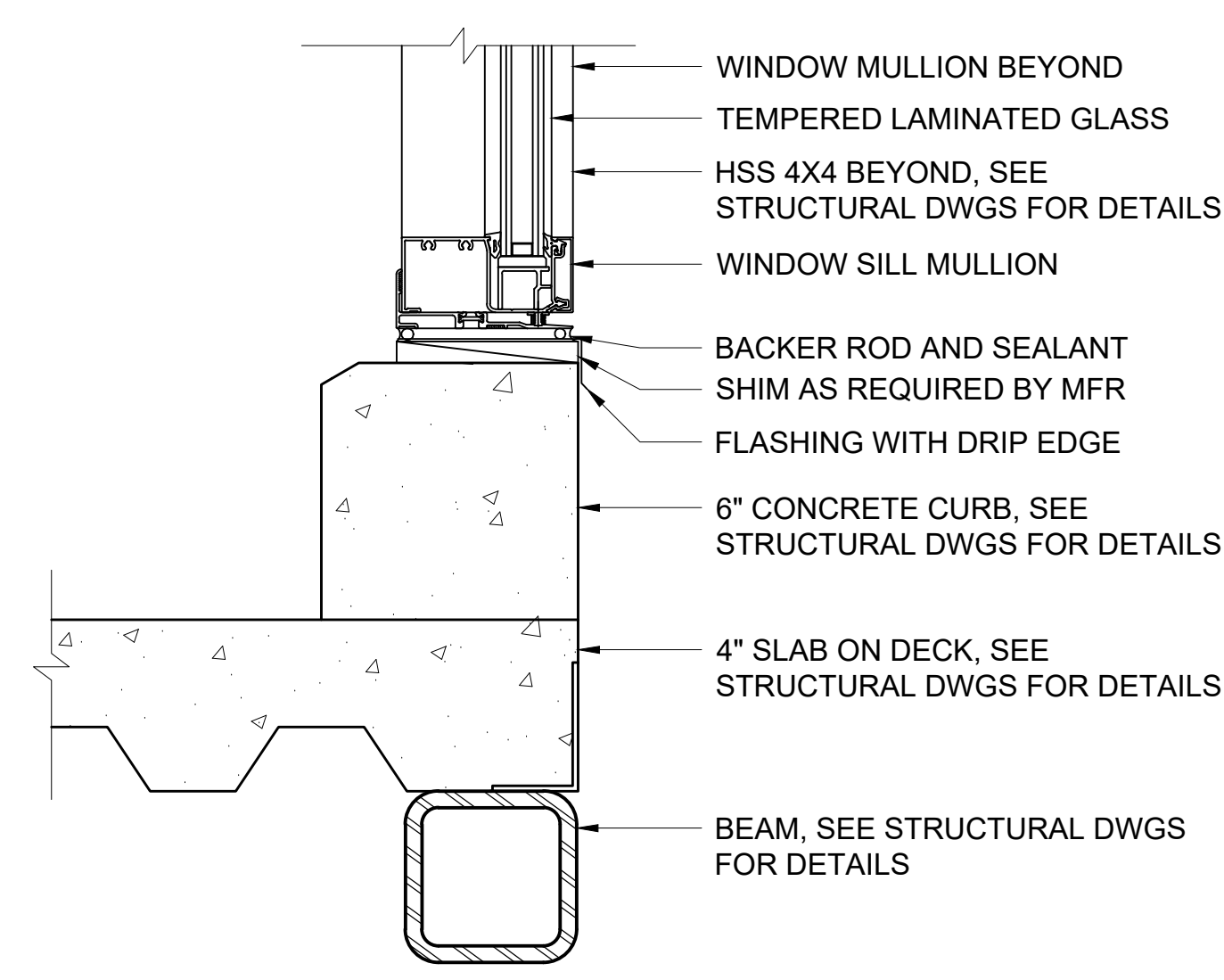
5 SECTION DETAIL
 1 1/2"=1'-0"
 0 1' 1'6"



8 SECTION DETAIL
 3"=1'-0"
 0 3' 6" 9"



3 PLAN DETAIL
 1 1/2"=1'-0"
 0 1' 1'6"

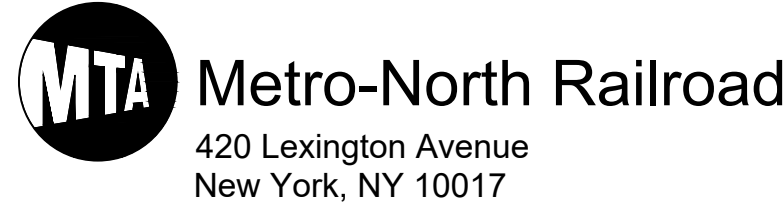


9 SECTION DETAIL
 3"=1'-0"
 0 3' 6" 9"

100% RFC SUBMISSION

DESIGNED	PL
DRAWN	VD
CHECKED	EC
APPROVED	PL

CONFORMED											
1	09/27/21	ADDENDUM 5	VJD	PL	PL						
NO.	DATE		DRWN	CHKD	APPVD	NO.	DATE	DRWN	CHKD	APPVD	
REVISION						REVISION					



TITLE
 HARTSDALE AND SCARSDALE STATION
 IMPROVEMENTS
 ELEVATOR MACHINE ROOM
 PLAN AND SECTION DETAILS
 SCARSDALE STATION

CONTRACT NO. 1000106733	
SCALE AS NOTED	DATE 08/03/2021
DRAWING NO. SCD-A-816	
SHEET 44 OF 112	