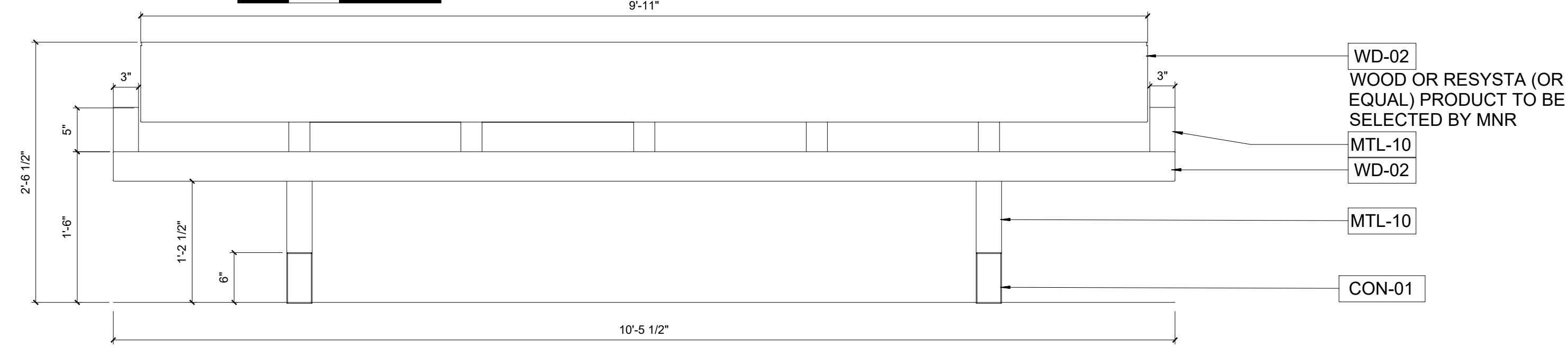
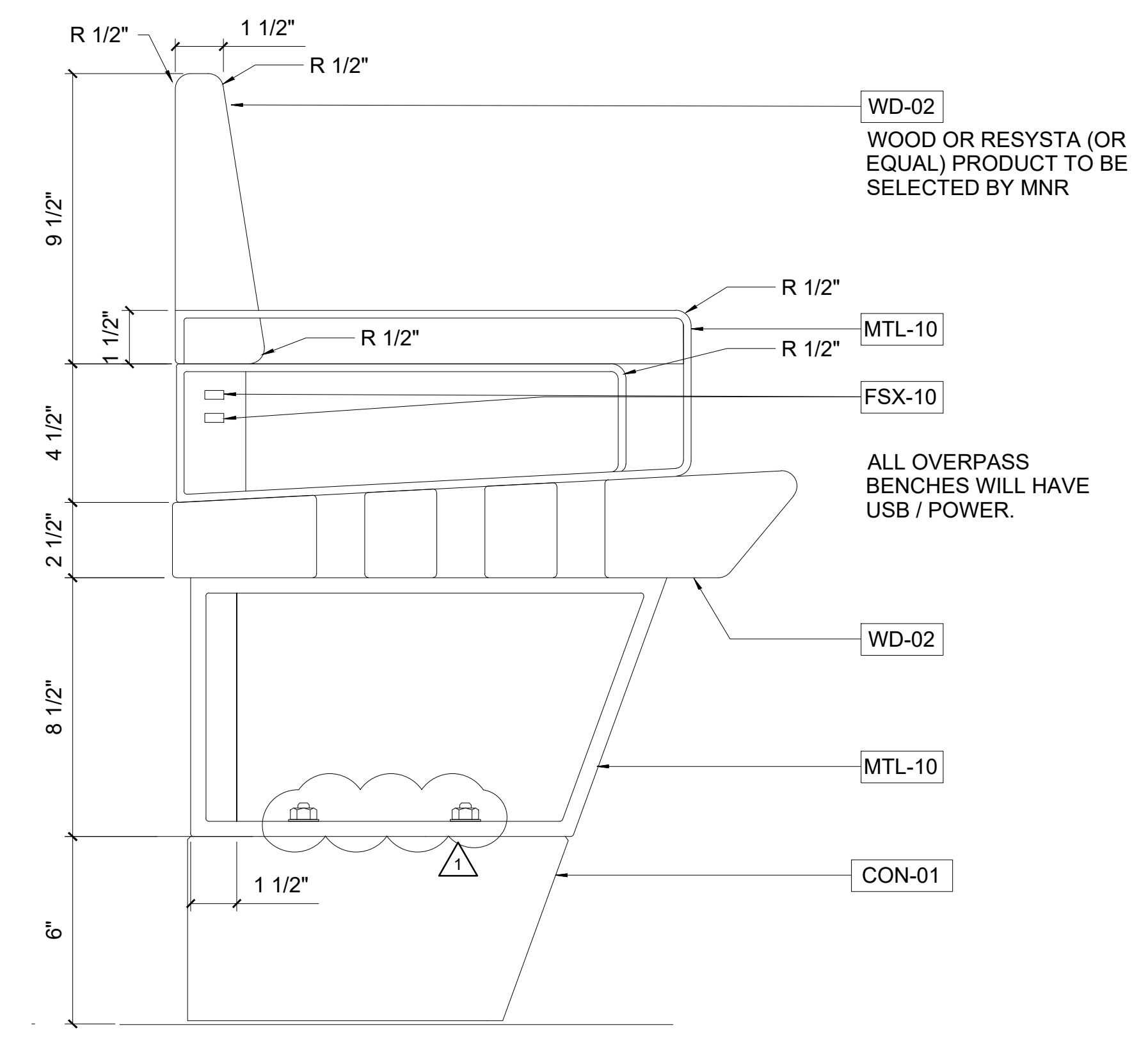
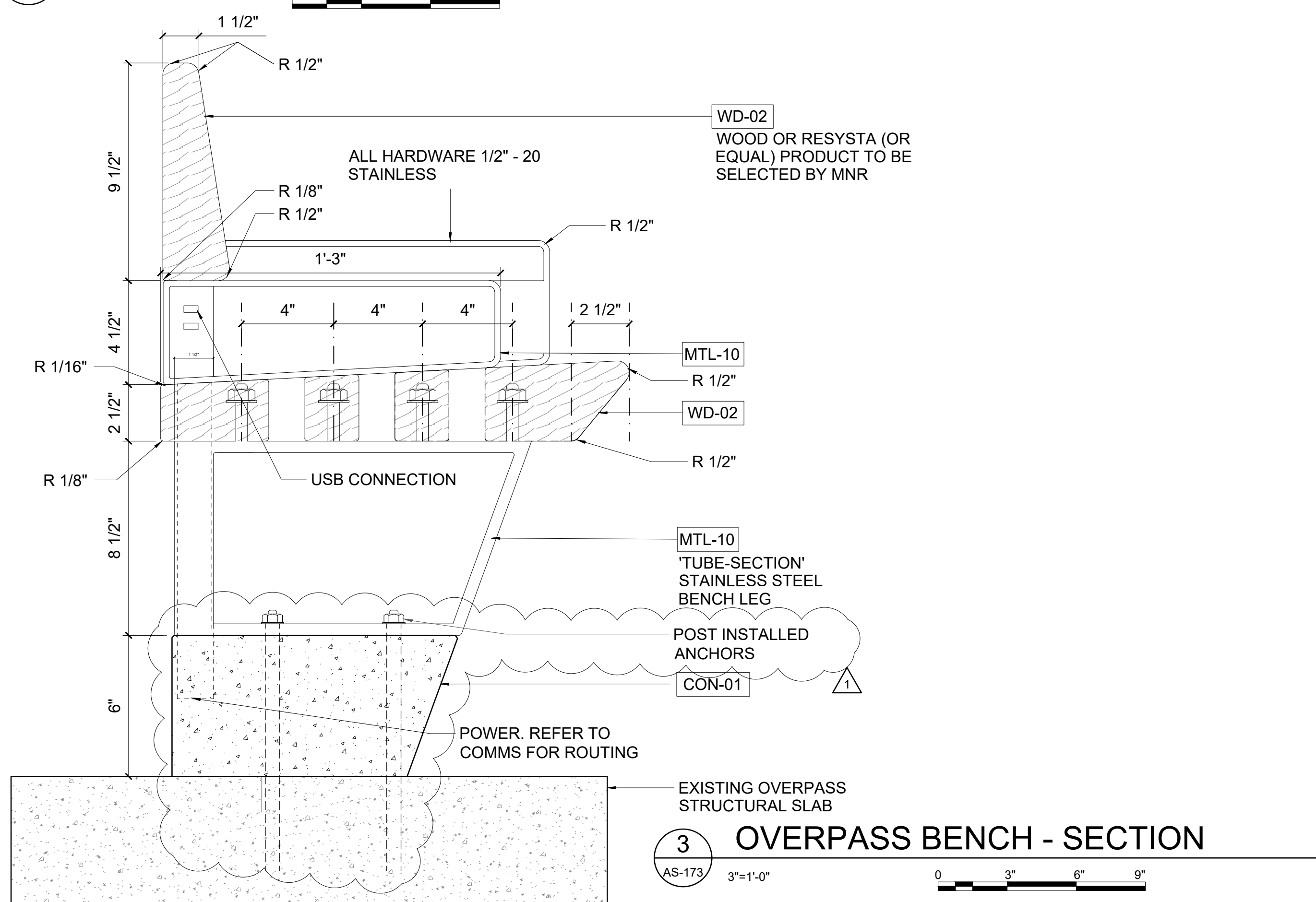


1 BENCH PLAN
1"=1'-0"



2 BENCH - FRONT ELEVATION
1 1/2"=1'-0"



DESIGNED	PL	CONFORMED									
DRAWN	VD										
CHECKED	EC										
APPROVED	PL										
		REVISION					REVISION				

100% RFC SUBMISSION

<p>225 PARK AVENUE SOUTH, NEW YORK, NY 10003</p>	<p>420 Lexington Avenue New York, NY 10017</p>	TITLE	HARTSDALE AND SCARSDALE STATION IMPROVEMENTS
		CONTRACT NO.	1000106733
		SCALE	DATE
		AS NOTED	08/03/2021
		DRAWING NO.	STD-AS-173
		SCARSDALE STATION	
		SHEET 107 OF 112	