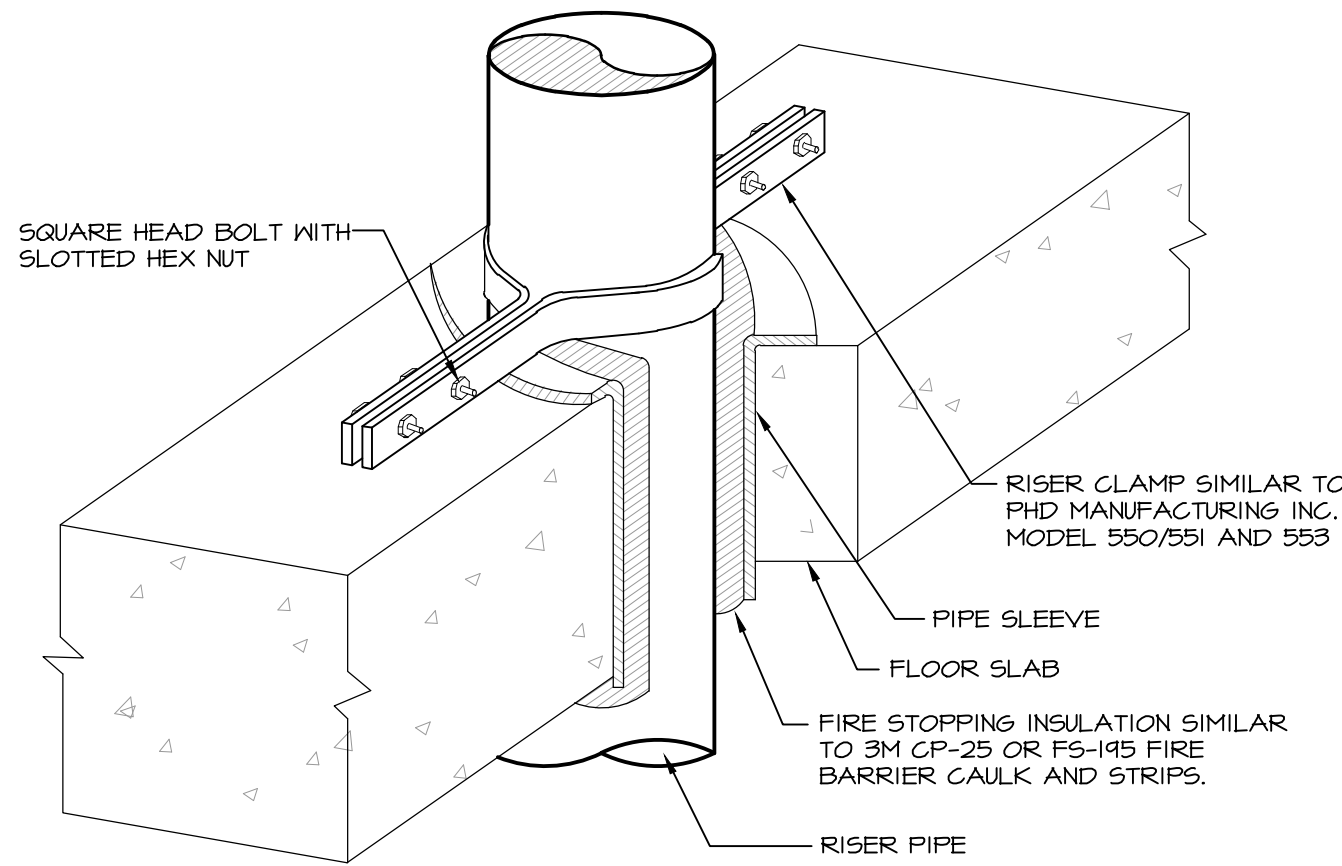


PIPE HANGER SCHEDULE					
PIPE DIA.	3/4"-2"	2 1/2"-3"	4"-5"	6"	8"-12"
HANGER DIA.	3/8"	1/2"	5/8"	3/4"	1/8"

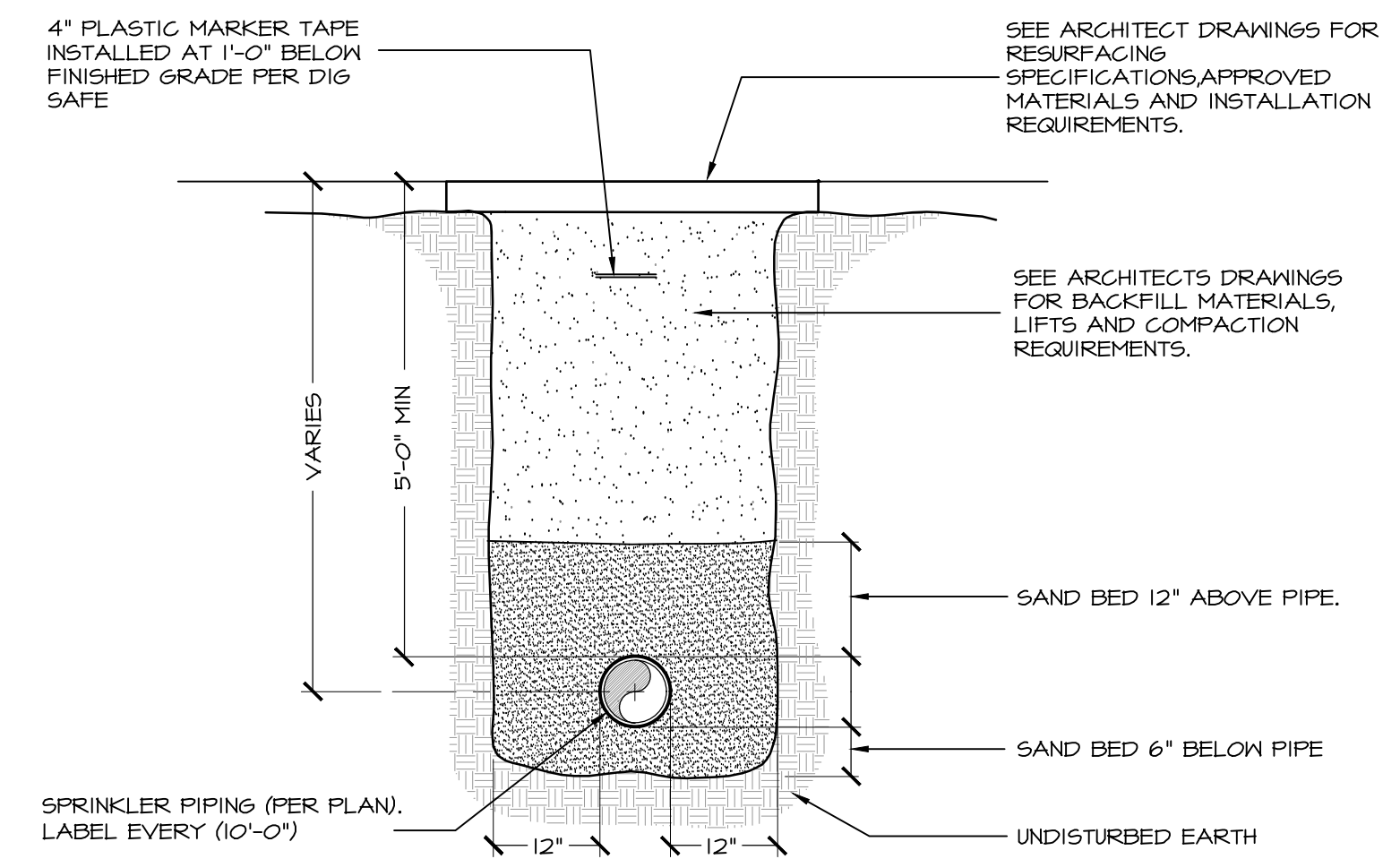
NOTES:

1. CLEVIS HANGERS WITH WELDED INSULATION SHIELDS SIMILAR TO RAUCH FIG. 10058 ON ALL PIPES LARGER THAN 1".
2. ALL PIPE HANGERS SHALL BE GALVANIZED STEEL OR FACTORY PAINTED BLACK WITH ENAMEL.

1 PIPE HANGER DETAIL
SPK201 NOT TO SCALE



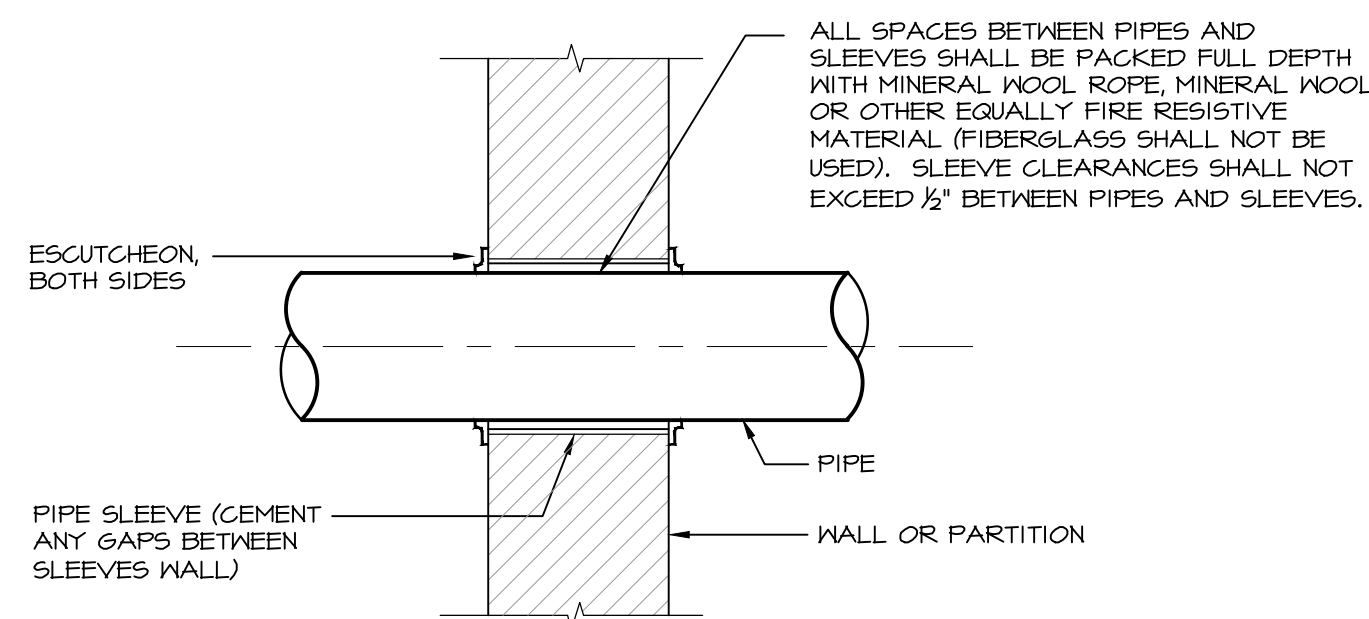
2 PIPE PENETRATION THROUGH FLOOR DETAIL
SPK201 NOT TO SCALE



NOTES:

1. INSTALL CONTINUOUS DETECTABLE MARKING TAPE DURING BACKFILLING OF TRENCH FOR UNDERGROUND PIPING. LOCATE TAPE 12" BELOW FINISHED GRADE, DIRECTLY OVER PIPING, EXCEPT 6" BELOW SUBGRADE UNDER PAVEMENTS & SLABS.
2. TRENCHING SHALL BE IMPLEMENTED IN ACCORDANCE WITH O.S.H.A. STANDARDS.
3. 5'-0" MIN COVER SHALL BE APPLIED TO SPRINKLER MAIN.

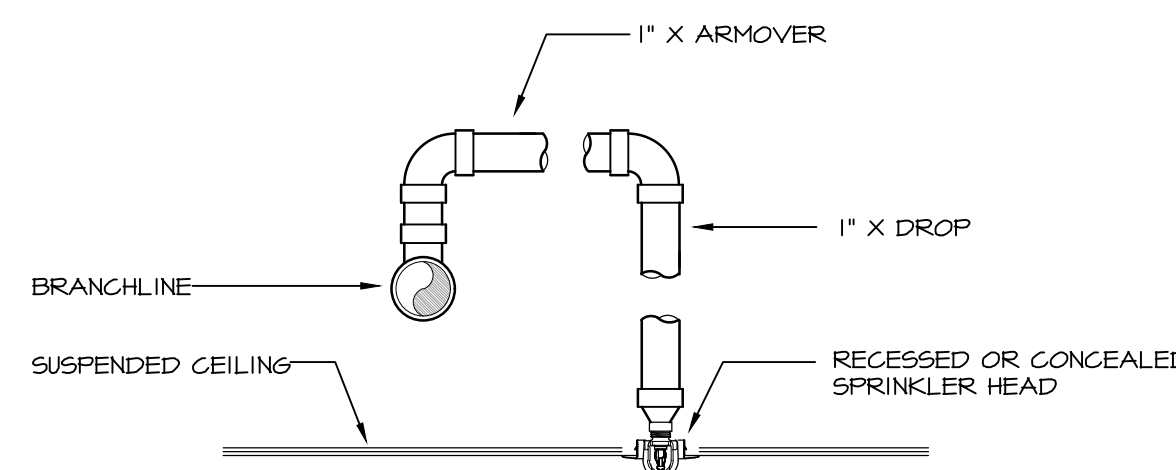
3 WATER/SPRINKLER PIPING TRENCH DETAIL
SPK201 NOT TO SCALE



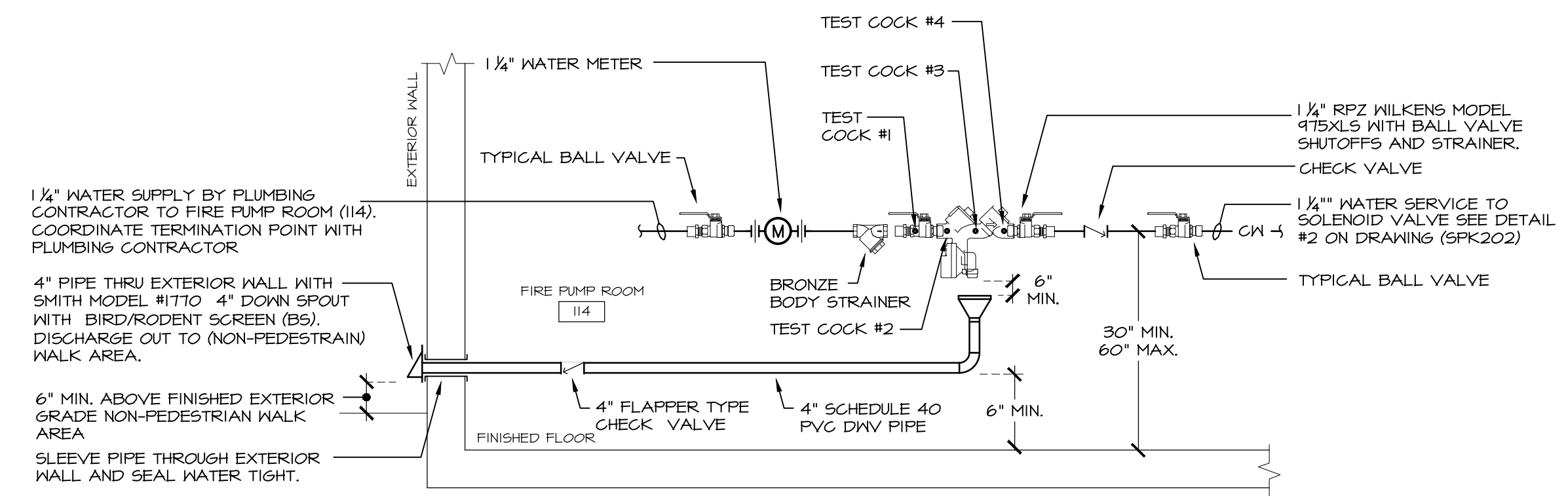
NOTE:

THIS DETAIL ALSO APPLICABLE TO INTERIOR NON-WATER PROOF FLOOR CONSTRUCTION. FOR WATER PROOF FLOOR CONSTRUCTION AND OTHER CONSTRUCTION - SEE SPECIFICATIONS.

4 FIRE RATED PARTITIONS & WALLS
SPK201 NOT TO SCALE



5 TYPICAL ARM-OVER DETAIL
SPK201 NOT TO SCALE



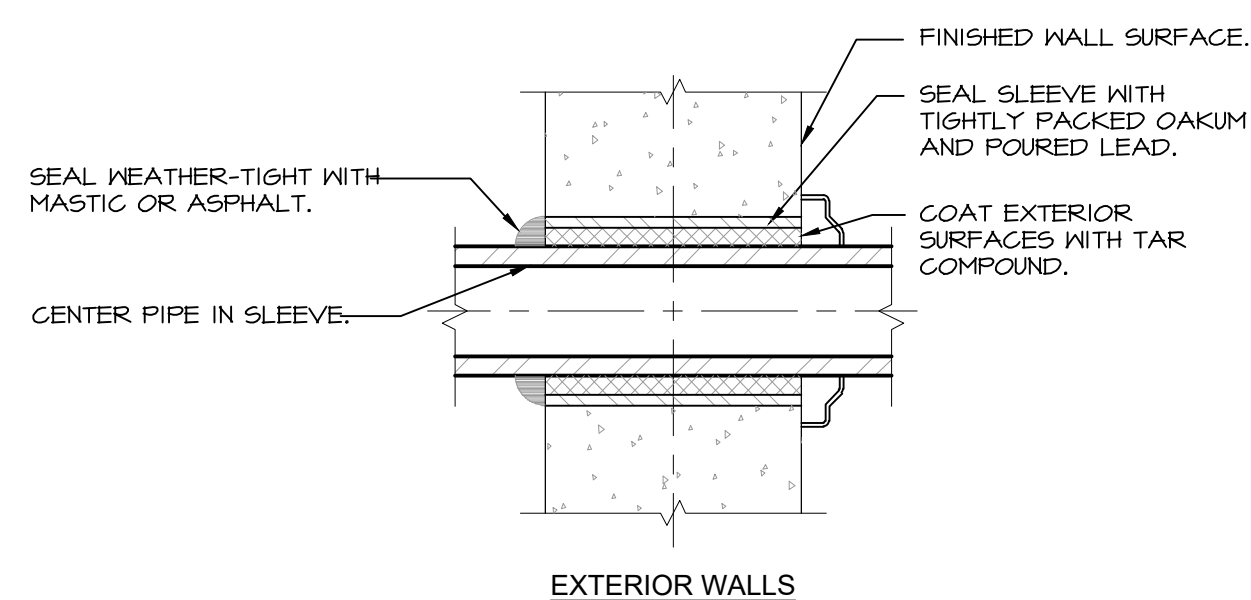
NOTE:

SUPPORT PIPING AND RPZ BACKFLOW PREVENTER OFF FLOOR WITH PIPE STANCHIONS AND ANCHOR TO FLOOR.

REQUIRED CLEARANCES (RPZ)

1. FRONT OF RPZ (2'-6") MINIMUM
2. BEHIND RPZ (8") MINIMUM
3. DISCHARGE PORT (1'-6") MINIMUM ABOVE FINISHED FLOOR
4. BACKFLOW PREVENTER MINIMUM (2'-6") ABOVE FINISHED FLOOR
5. BACKFLOW PREVENTER MAXIMUM (5'-0") ABOVE FINISHED FLOOR
6. ABOVE BACKFLOW PREVENTER MINIMUM (12")

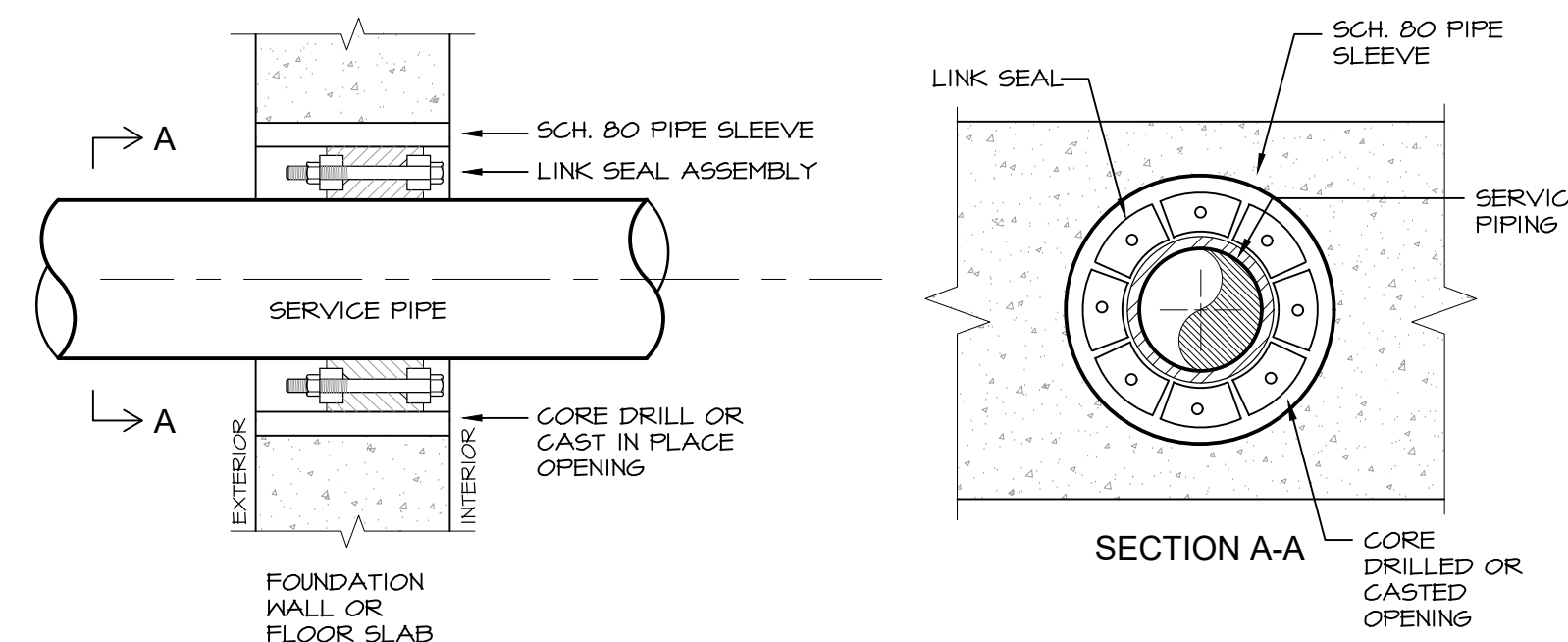
6 TANK FILL WATER SERVICE DETAIL
SPK201 NOT TO SCALE



NOTE:

1. PIPE SLEEVE FOR EXTERIOR WALL ABOVE GRADE.

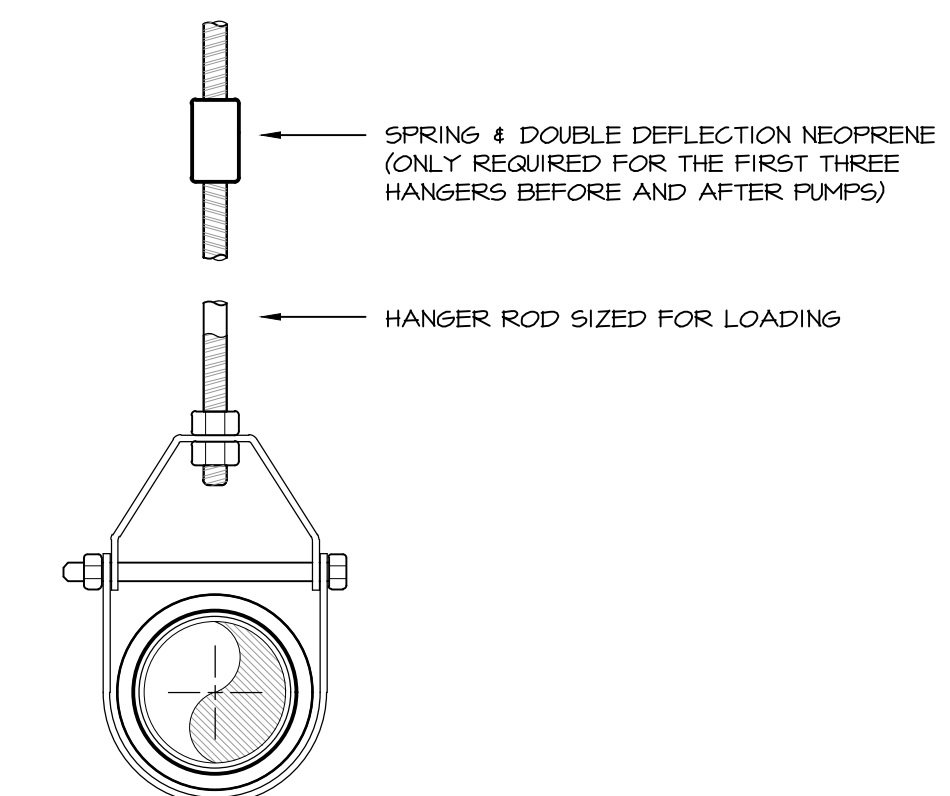
7 EXTERIOR WALL PIPE PENETRATION DETAIL
SPK201 NOT TO SCALE



NOTES:

1. SEAL ASSEMBLY BASED ON THUNDERLINE MODEL 10" LINK-SEAL MODULAR SEAL, WITH EPDM SEAL ELEMENT, COMPOSITE PRESSURE PLATES, STEEL WITH 2-PART ZINC DICHROMATE & ORGANIC COATED NUTS AND BOLTS RATED FOR AN OPERATING TEMPERATURE RANGE OF -40°F TO +250°F.
2. USE LINK SEAL AT ALL LOCATIONS WHERE PIPES PENETRATE NEW OR EXISTING FOUNDATION WALLS AND SLABS ON GRADE.

8 LINK SEAL DETAIL
SPK201 NOT TO SCALE



9 HANGER DETAIL
SPK201 NOT TO SCALE

MA

MITCHELL ASSOCIATES ARCHITECTS

29 THACHER PARK ROAD
VOORHEESVILLE, NY 12186
(518) 765-4511 FAX (518) 765-2150
WWW.MITCHELL-ARCHITECTS.COM

EMERGENCY SERVICE

FACILITIES

CONSULTANTS:

INSITE ENGINEERING SURVEYING & LANDSCAPE ARCHITECTURE, P.C.
3 GARRET PLACE
CARMEL, NY 10512
(845) 225-9640 FAX: (845) 225-4717

CRAIG A. MALONEY P.E.
STRUCTURAL ENGINEERING CONSULTANT
3 BENEDICT COURT
BALLSTON SPA, NY 12020
(518) 584-4844 FAX: (518) 584-4855

GERARD ASSOCIATES CONSULTING ENGINEERS, P.C.
MECHANICAL, PLUMBING AND ELECTRICAL
223 MAIN STREET
GOSHEN, NY 10924
(845) 241-1212 (845) 241-1212

COPYRIGHT 2012
MITCHELL ASSOCIATES ARCHITECTS
UNAUTHORIZED ALTERATION OR ADDITION
TO THIS DOCUMENT IS A VIOLATION OF LAW

NEW STATION FOR PUTNAM VALLEY FIRE STATION #1

OSCAWANA LAKE ROAD
PUTNAM VALLEY, NEW YORK

REVISION HISTORY

DATE	DESCRIPTION

SPRINKLER: DETAILS

SCALE: AS NOTED
DWS. BY: KC
DWS. DATE: 8/14/2020
STATUS: BID DRAWINGS

SPK201