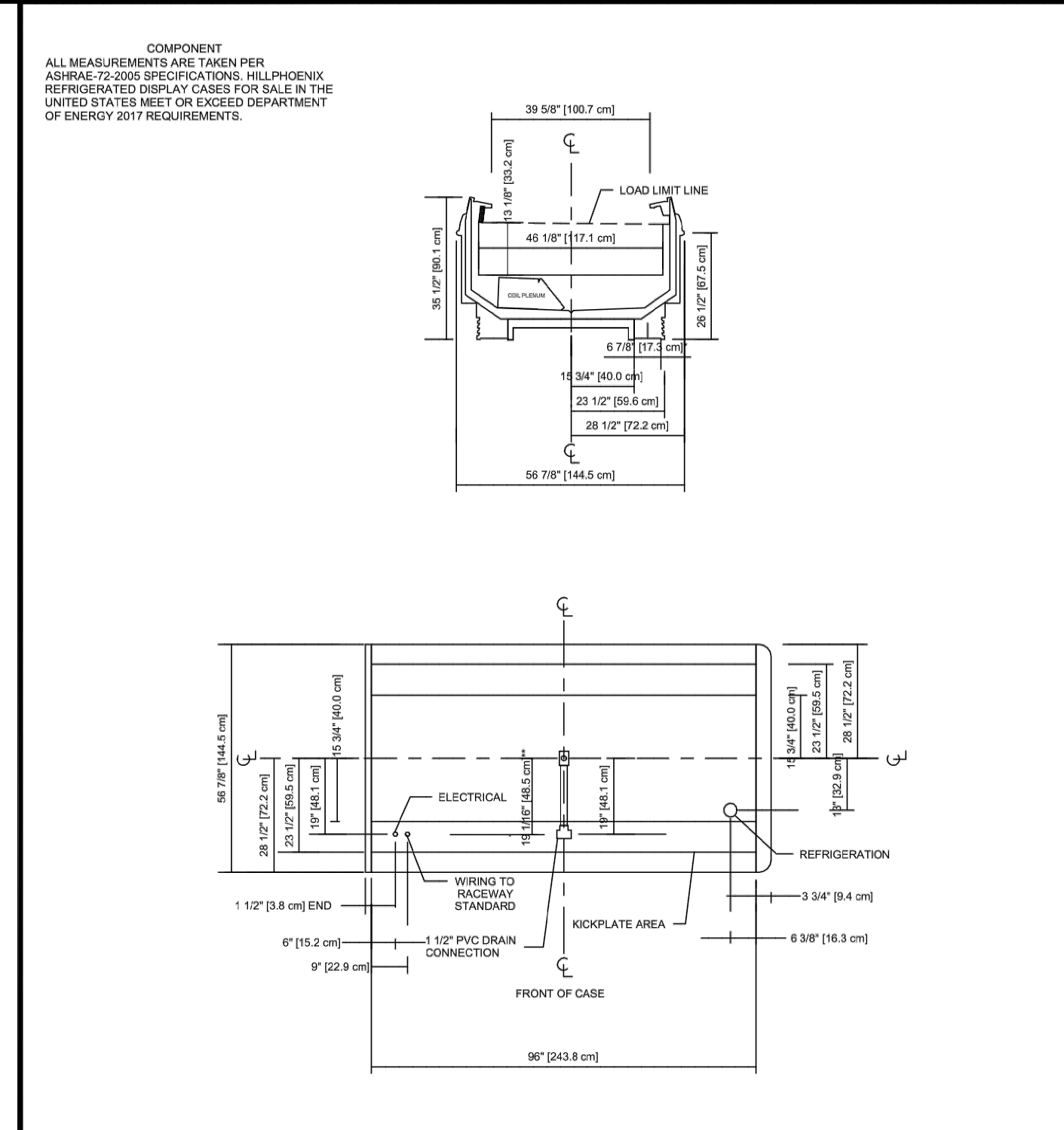
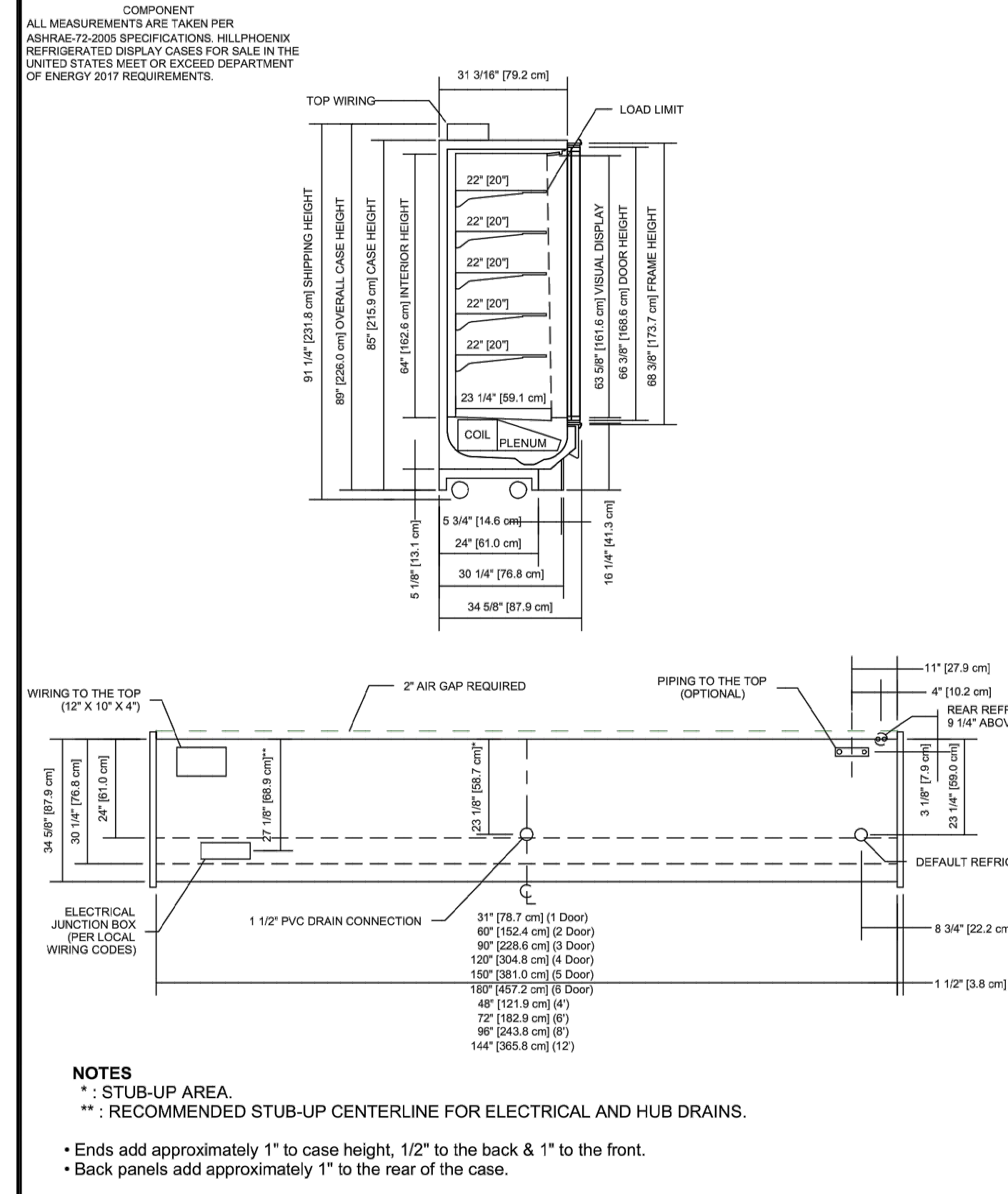


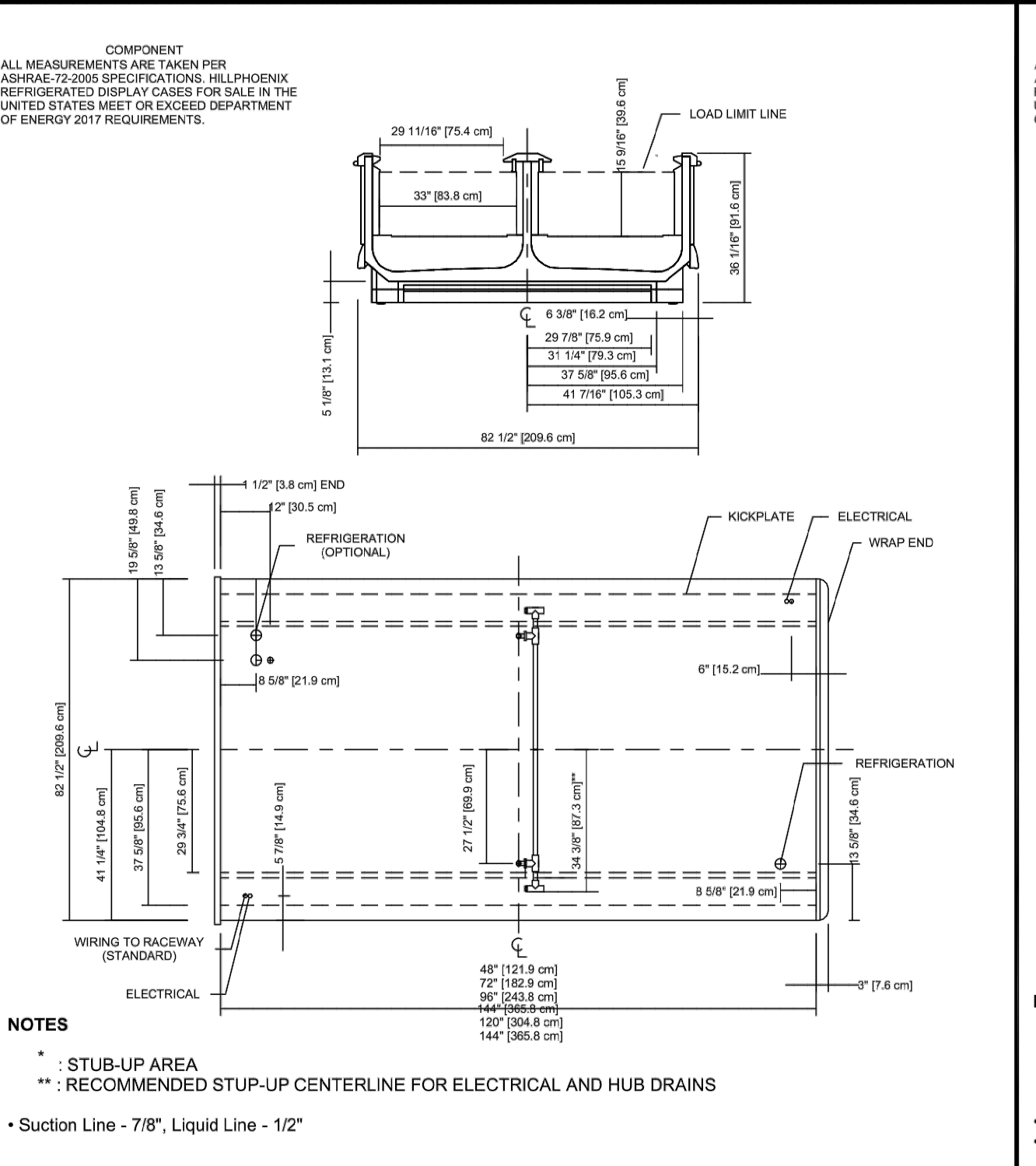
Sheet File Name: Date: 03 Mar 2021 12:12:15 PM
Z:\Projects\Projects\Adams Fairacre Farms\Drawings - Photos - 12:46:10 by station1
Adams Fairacre Farms\Drawings - Photos - 12:46:10 by station1



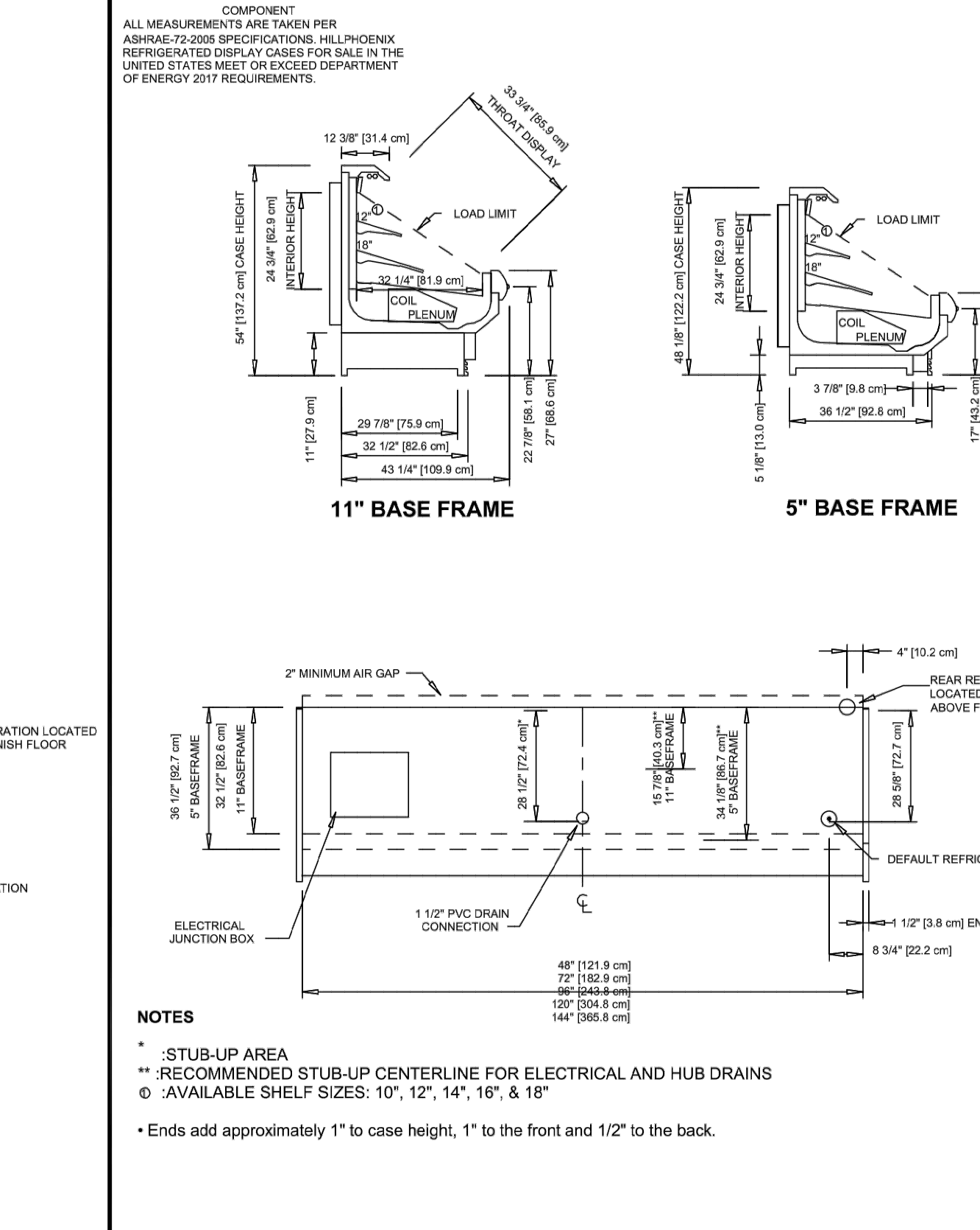
OIZ SINGLE-DECK FROZEN FOOD



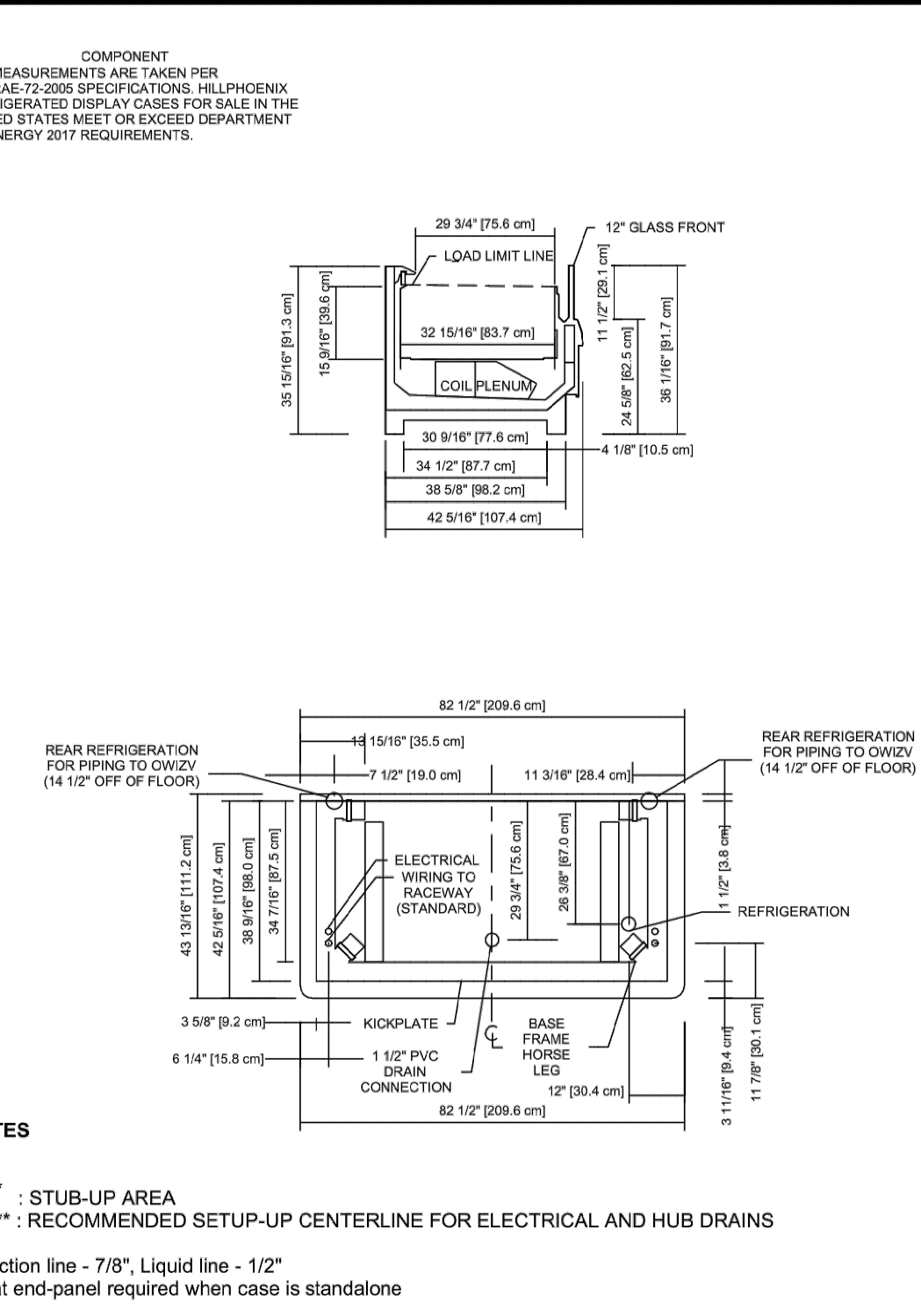
OWIZV WIDE ISLAND FROZEN FOOD



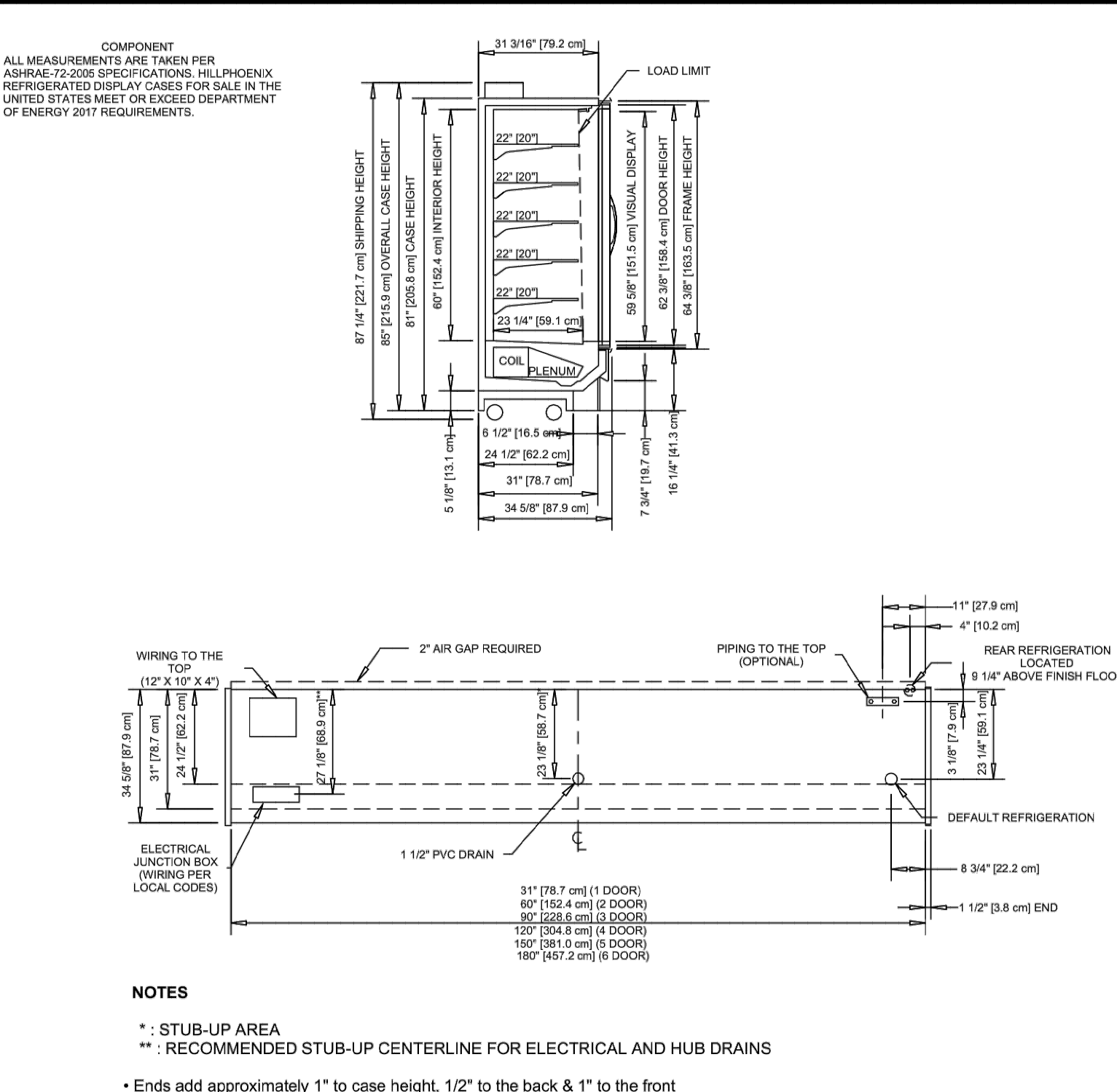
OQEZV WIDE ISLAND FROZEN FOOD END CASE



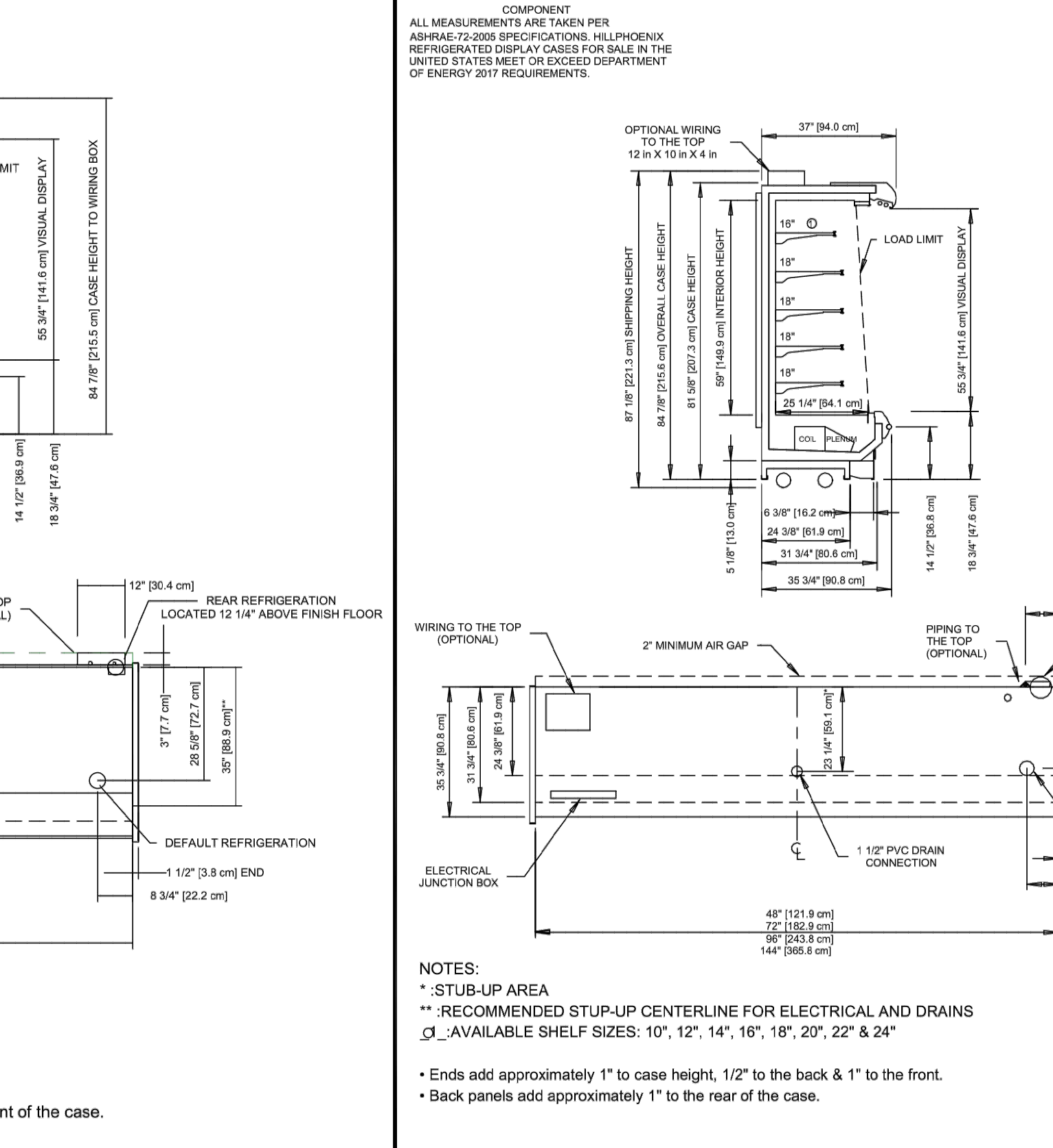
ONRZ-NRG REACH-IN NARROW FROZEN FOOD/ICE CREAM CASE



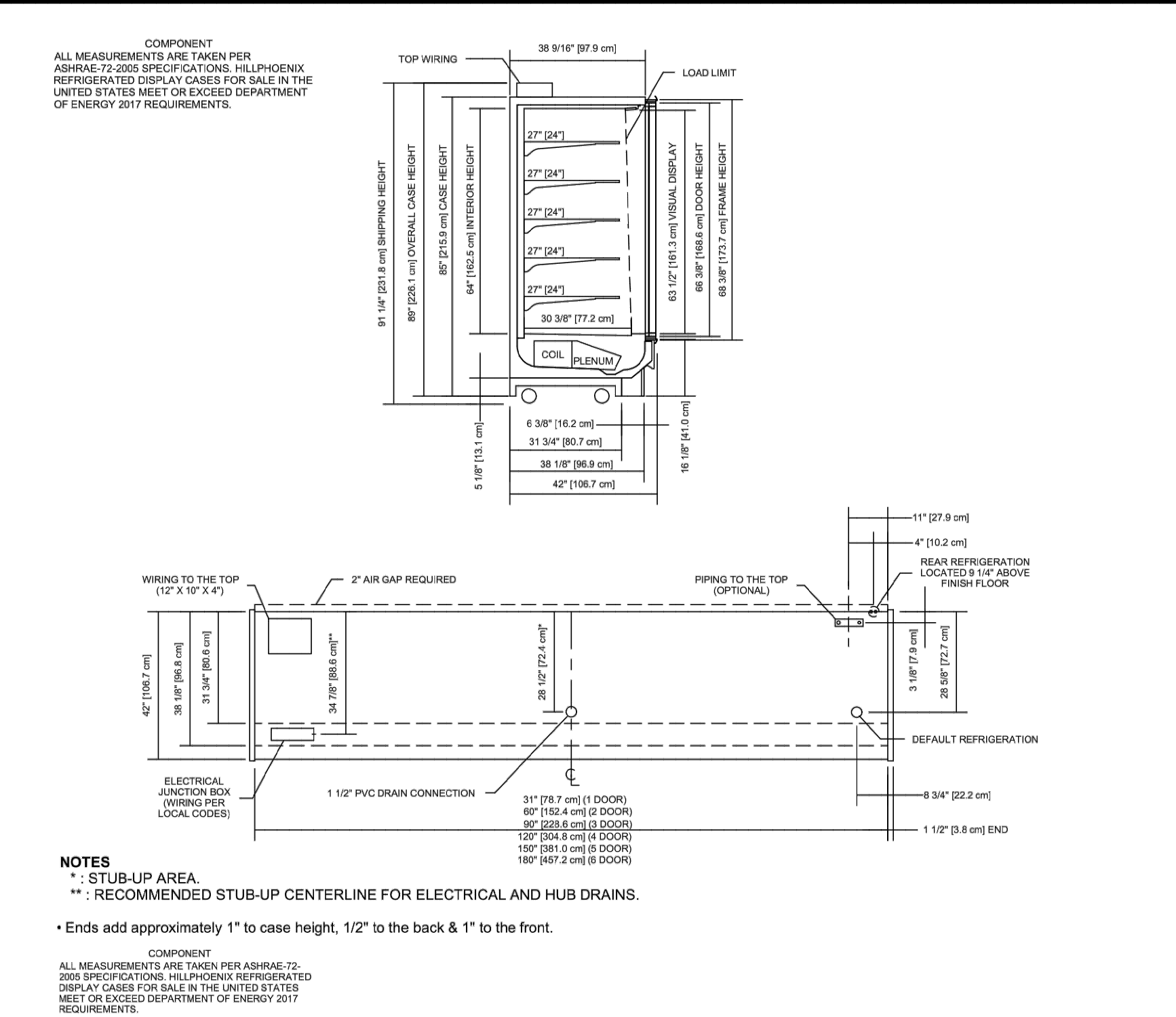
ORZH-NRG REACH-IN FROZEN FOOD/ICE CREAM CASE



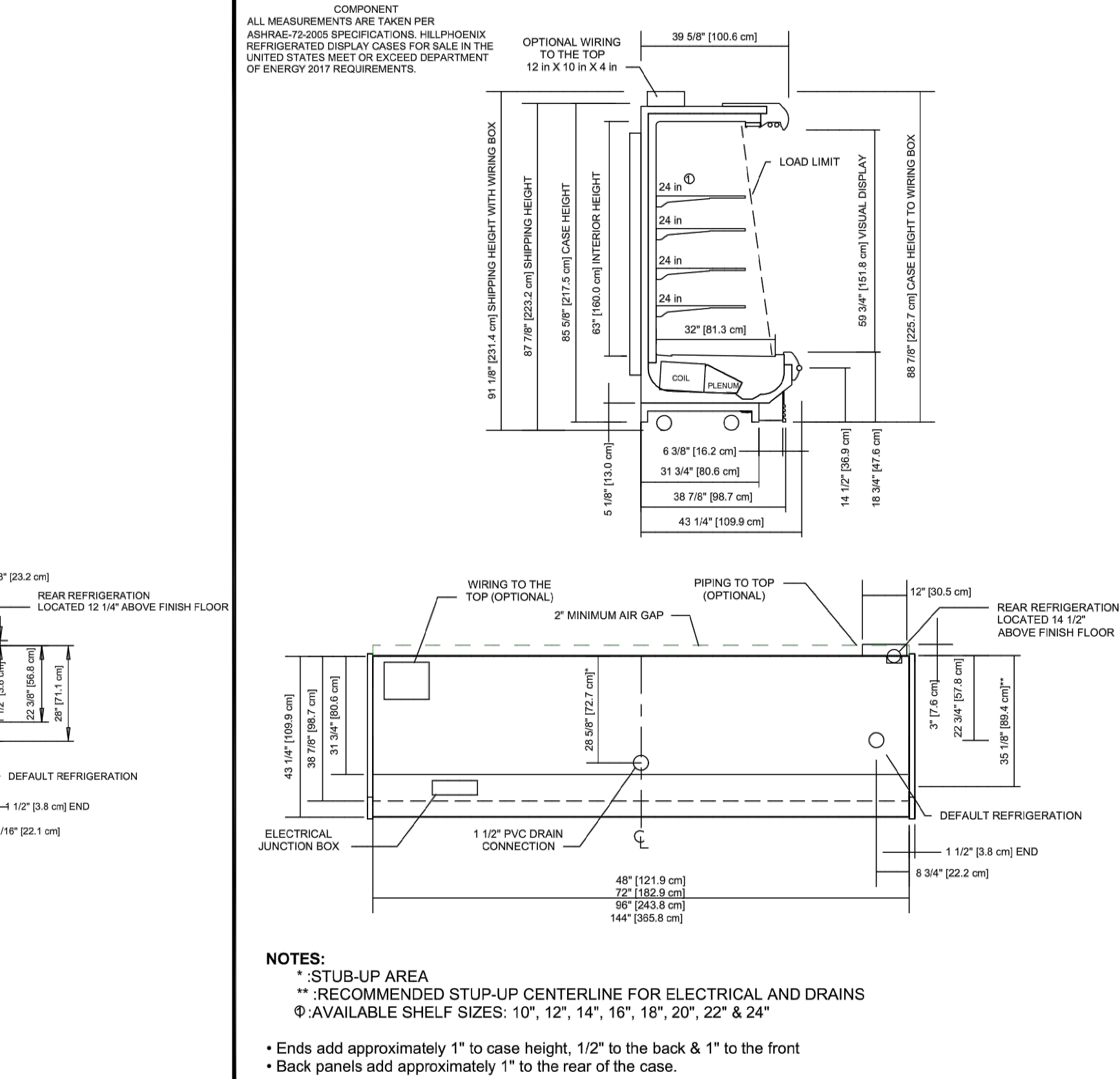
ONRBH-NRG MULTI-DECK DAIRY CASE



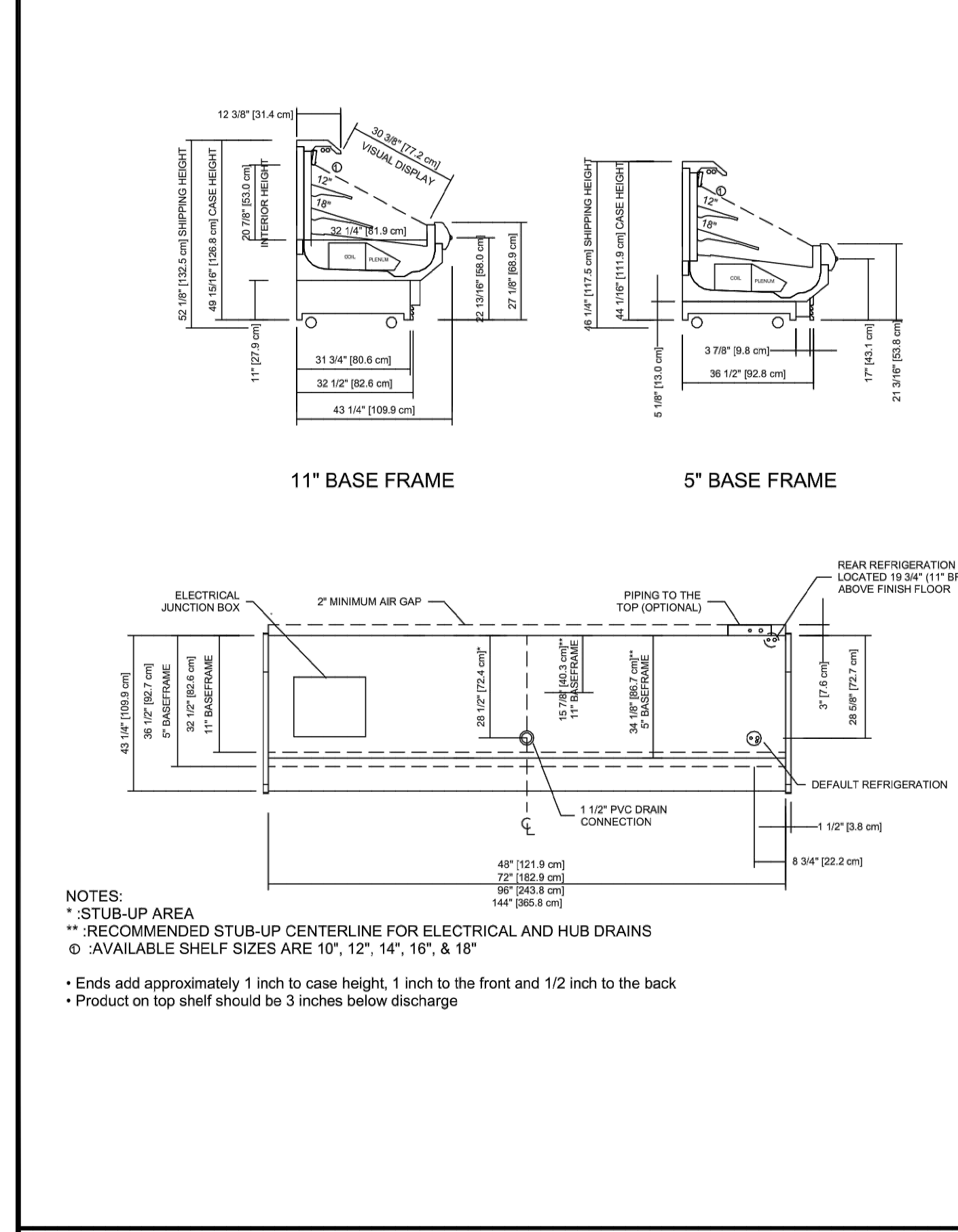
O3UM-NRG MULTI-DECK LOW PROFILE CASE



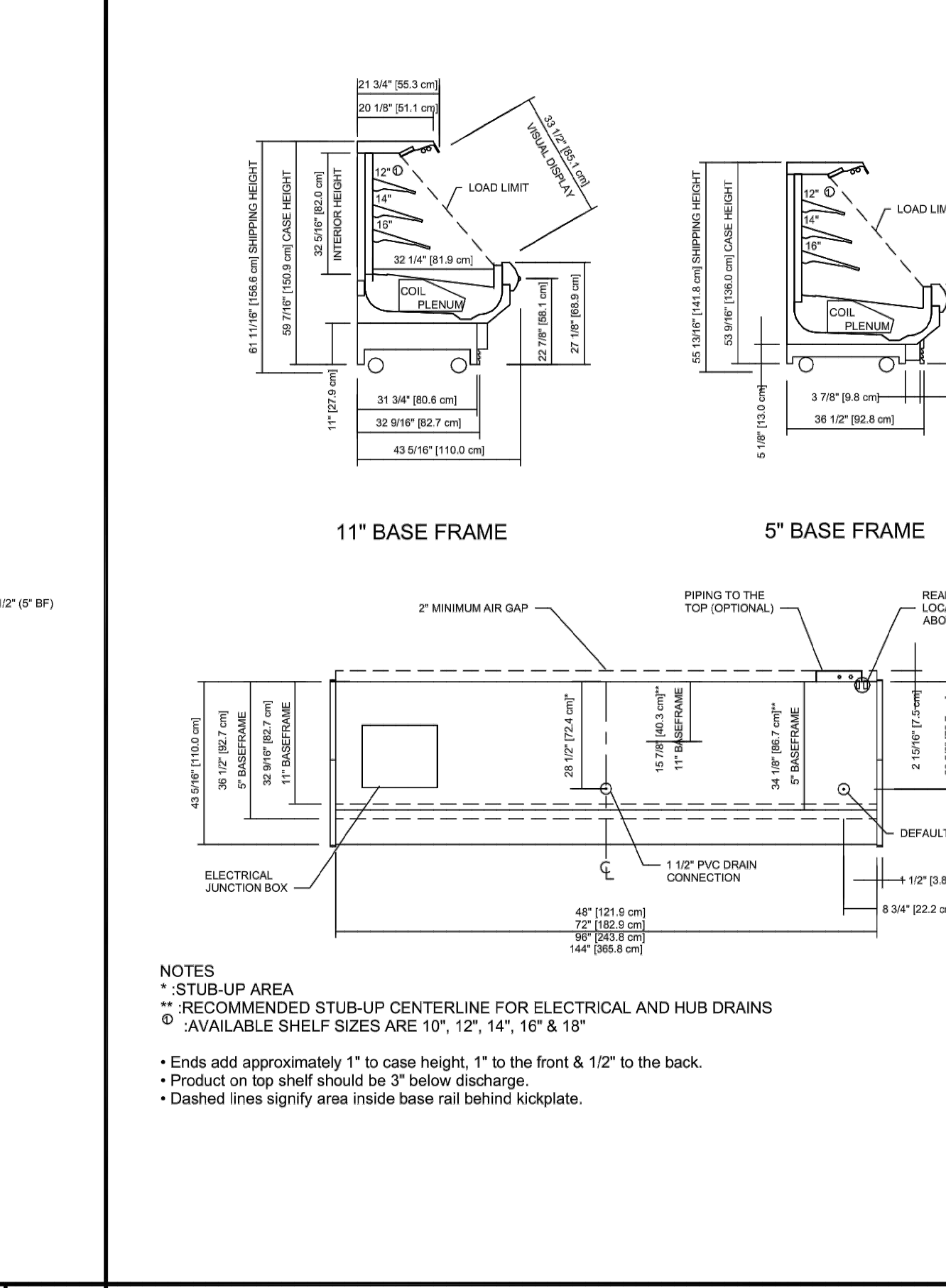
O5DM-NRG MULTI-DECK DAIRY/PRODUCE CASE



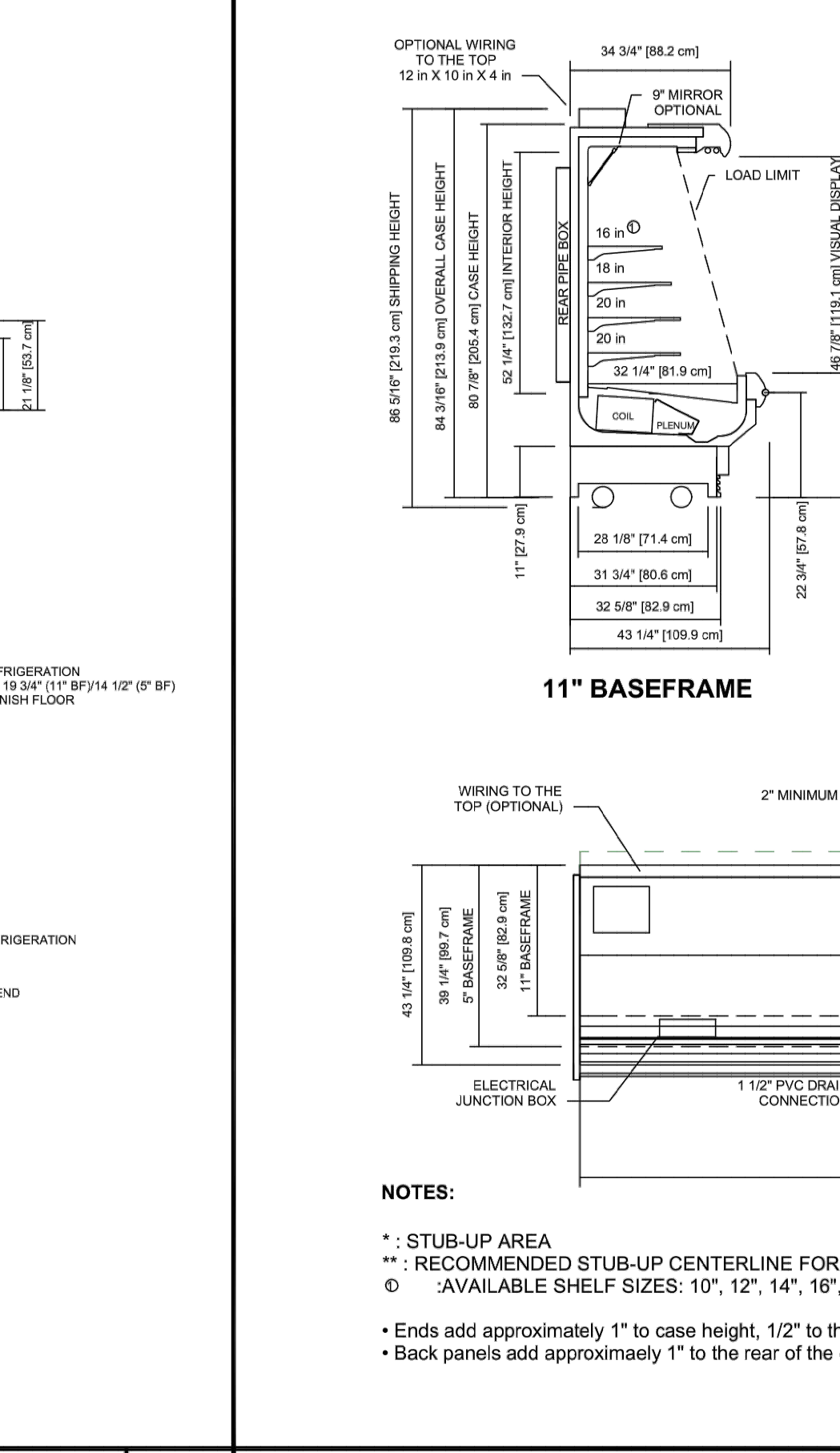
ON5DM-NRG NARROW MULTI-DECK DAIRY/DELI CASE



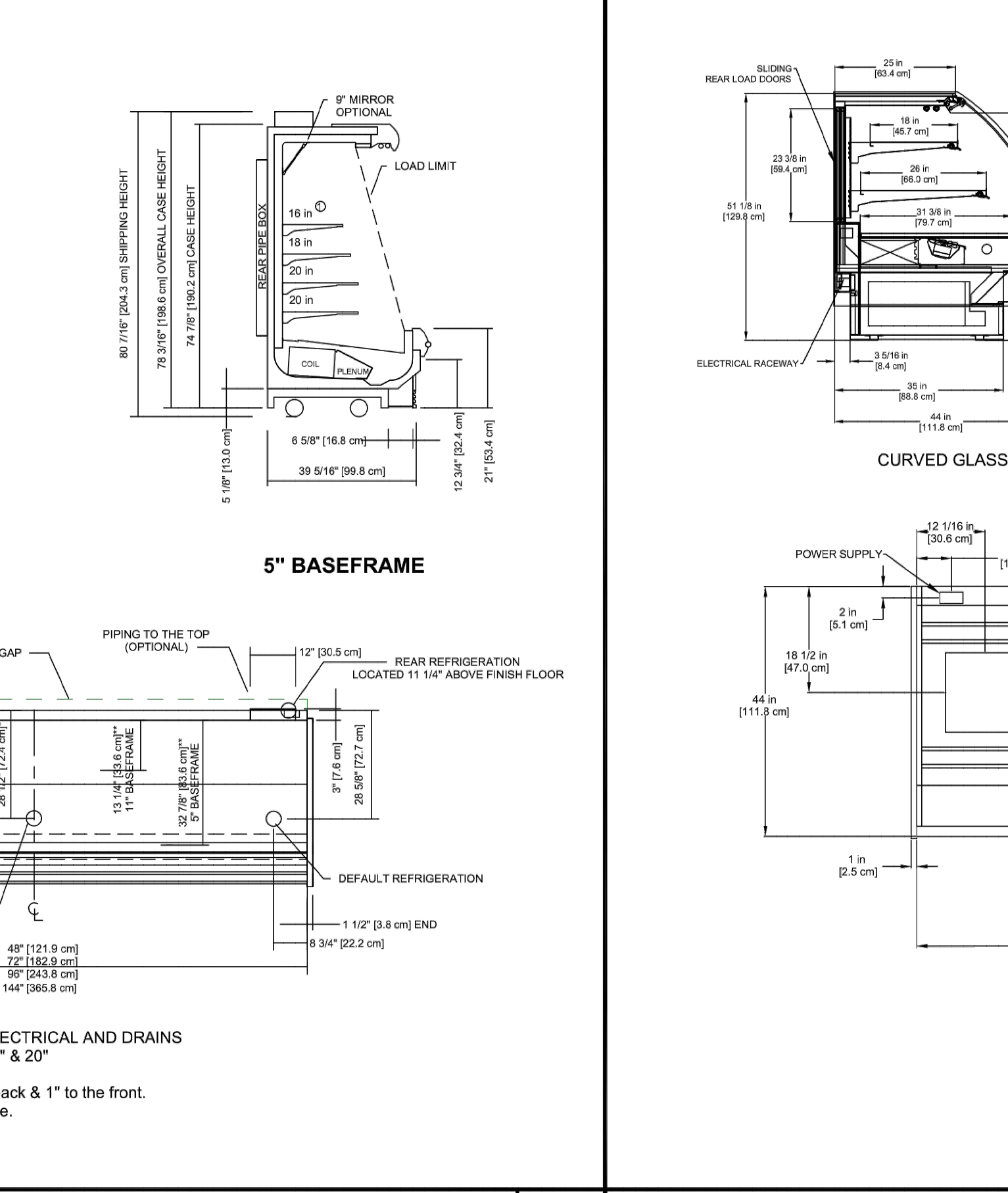
OSDMH-NRG HIGH MULTI-DECK FLORAL CASE



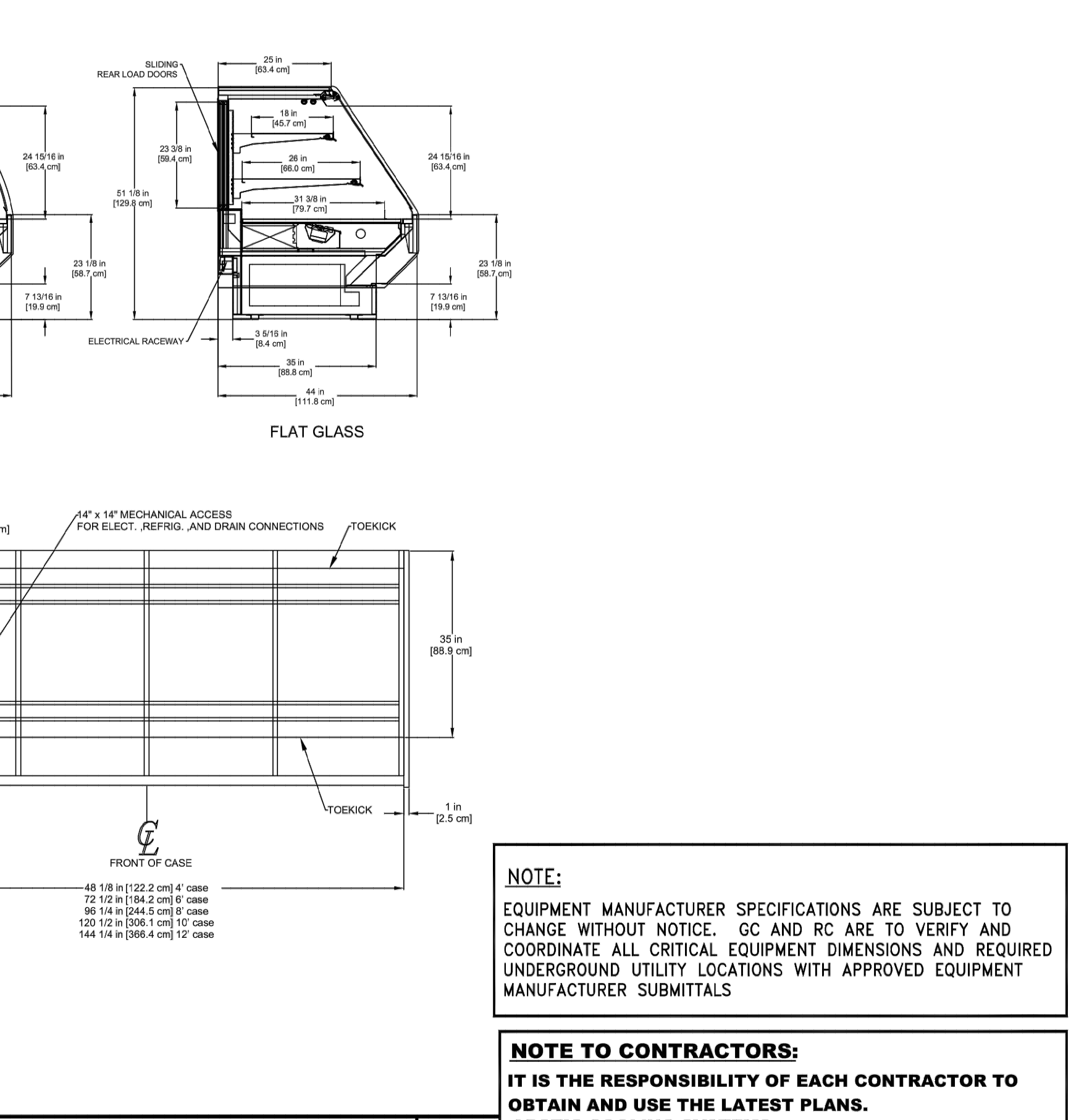
O2.5UM-NRG SELF SERVICE SUSHI MERCHANDISER



OHPH-NRG TALL MULTI-DECK PRODUCE CASE



BMD SERVICE BAKERY CASE



BMD SERVICE BAKERY CASE

REVISIONS:
ARCTIC COOLING SYSTEMS
14350 CHEROKEE PL
CHINO, CA 91710
Phone: 909-270-2111

ADAMS FAIRACRE FARMS
NYS Route 211
Middletown, NY

PROJECT NAME: CASE SECTIONS
DRAWN BY: AARON PEREZ
CHECKED BY: ...
SCALE: 1/2" = 1'-0"

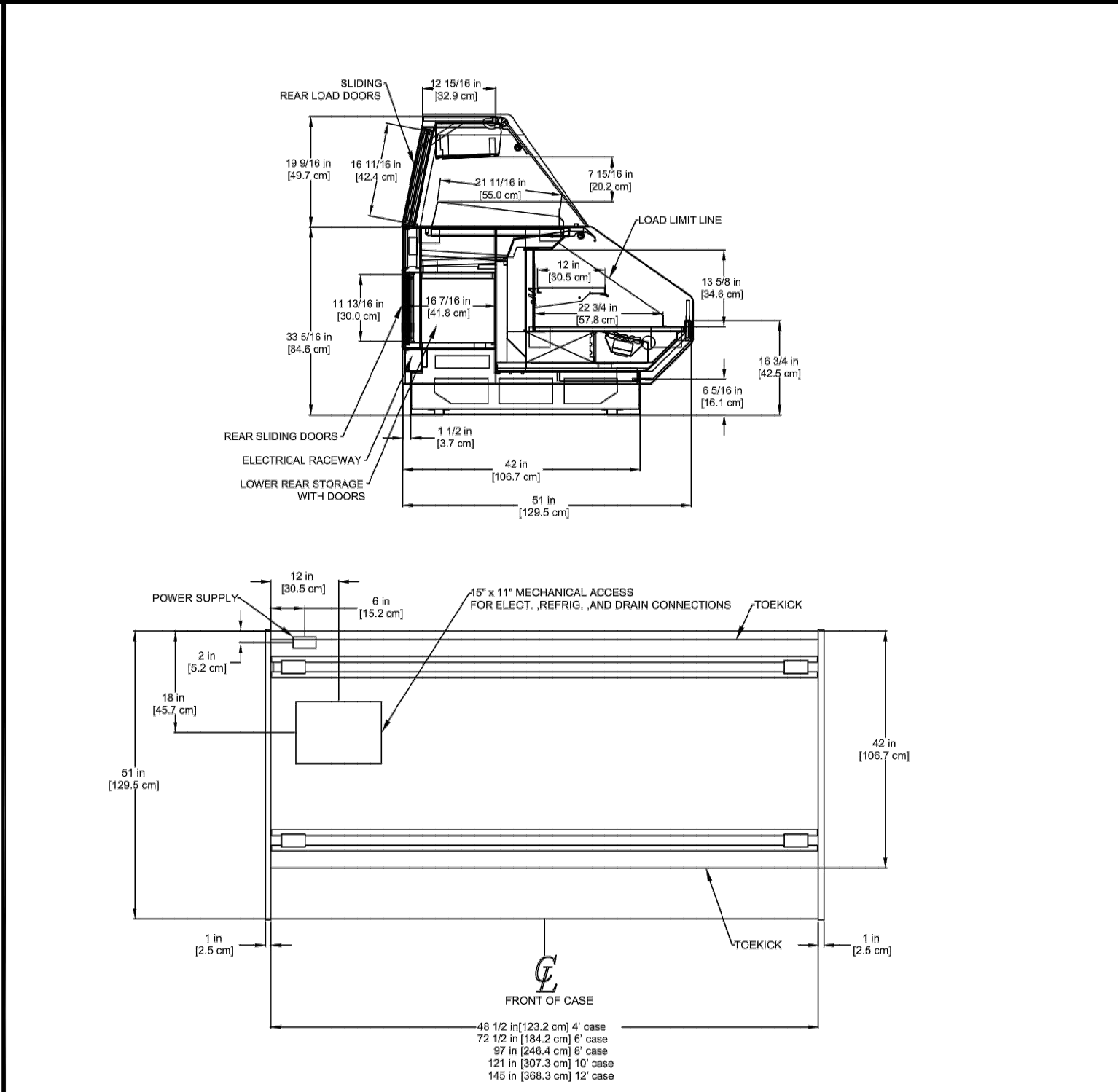
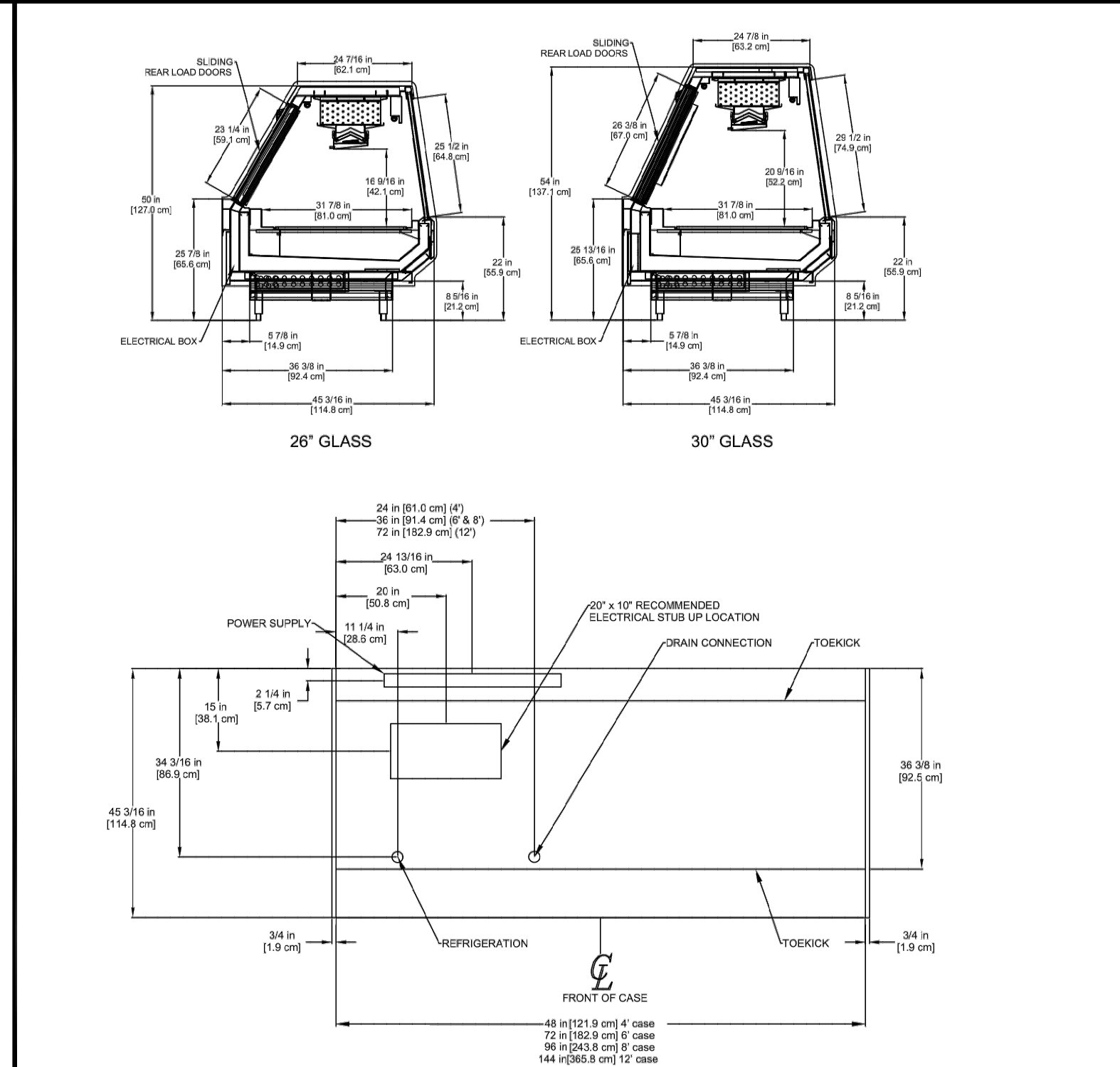
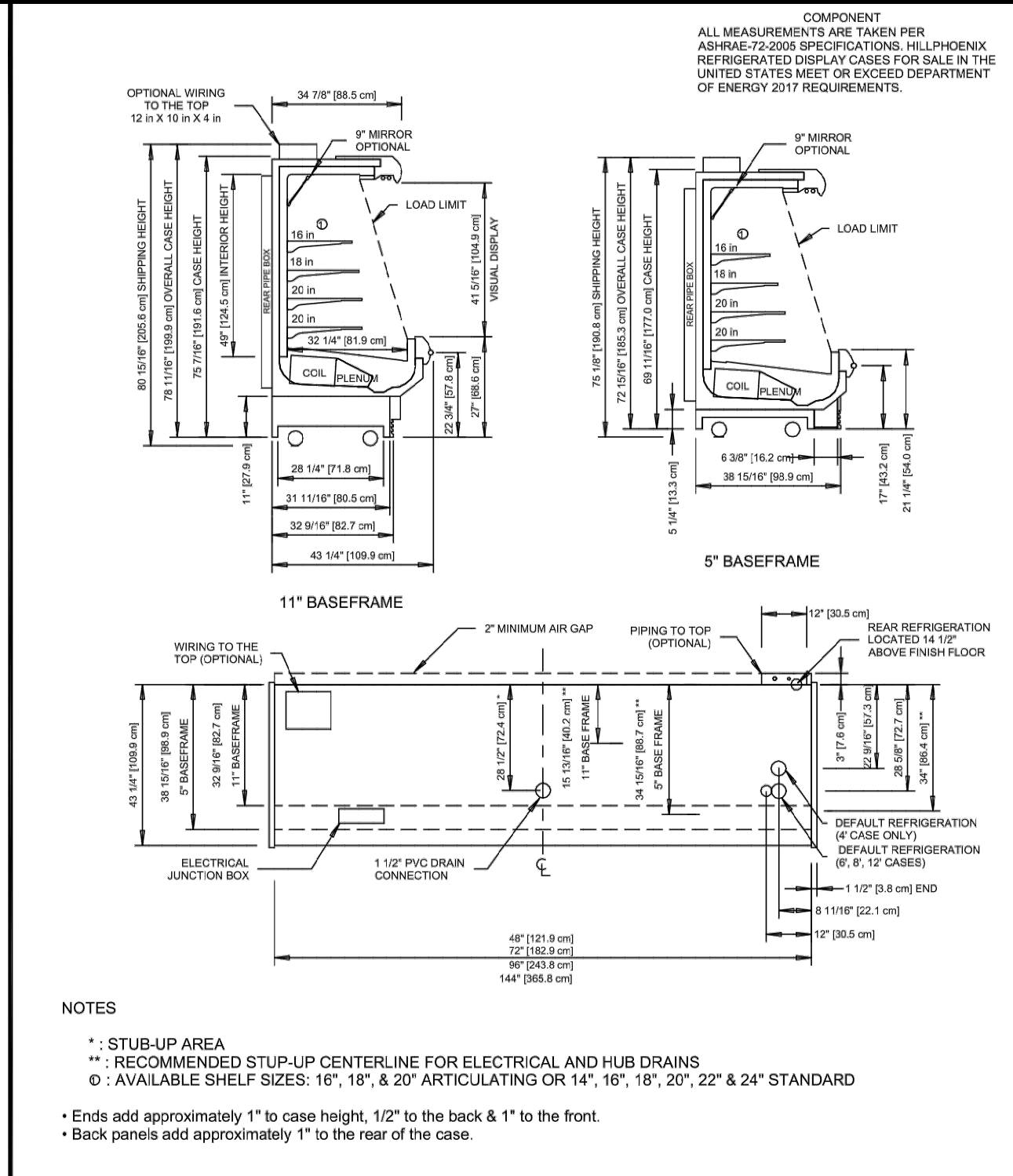
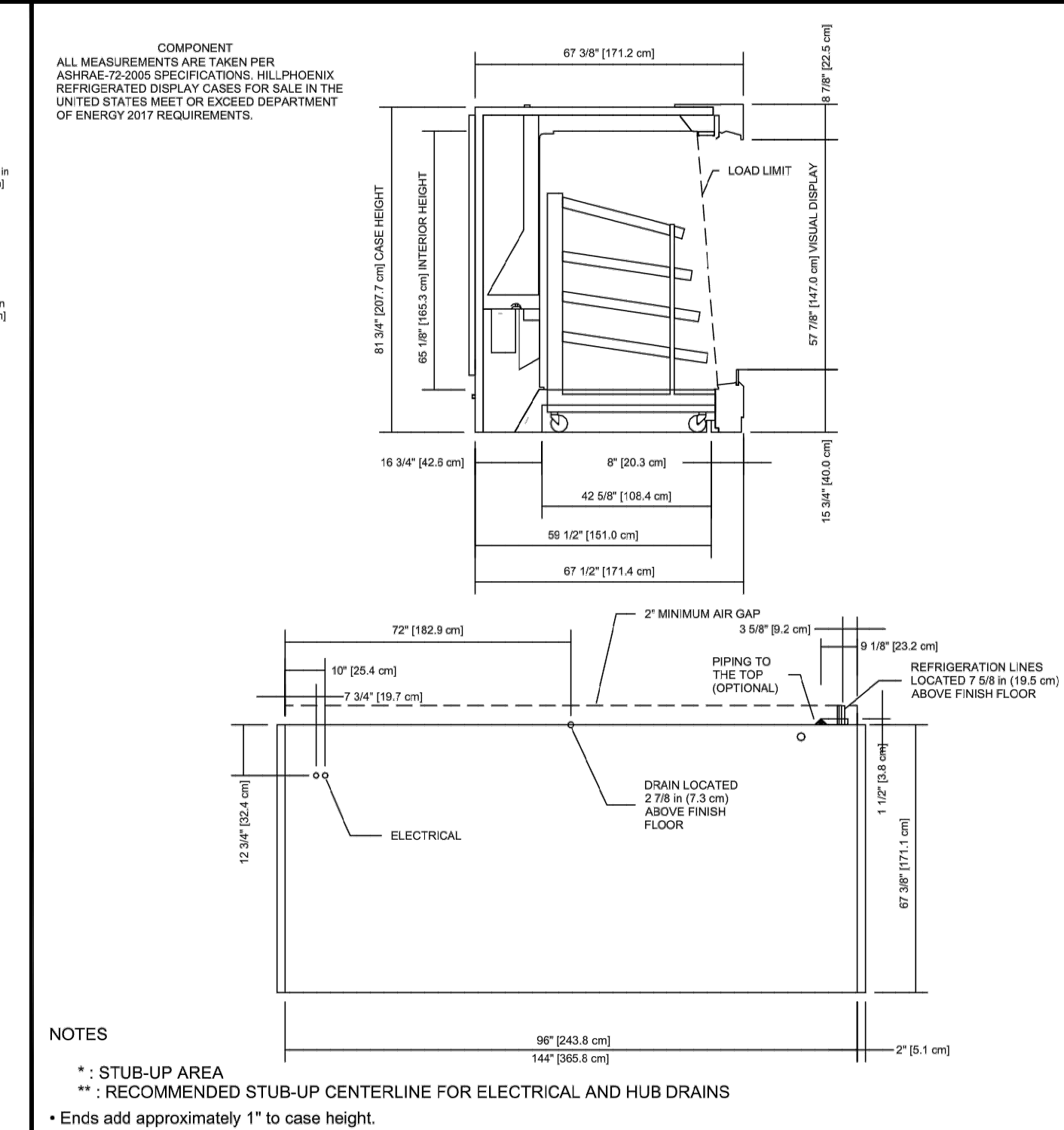
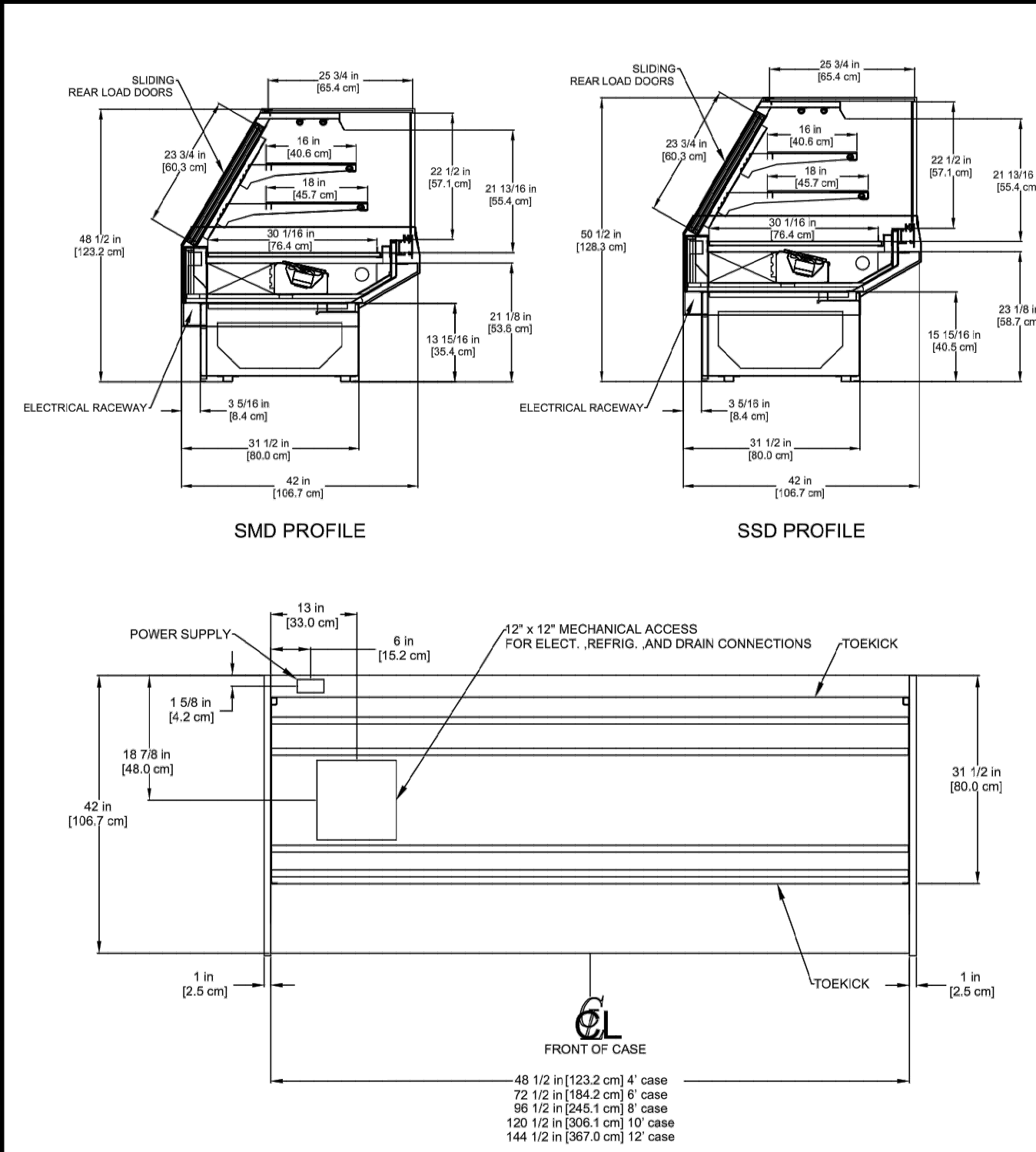
DATE: FEBRUARY 22, 2021
PROJECT NO: 1923
SHEET NO: R5.0

PLAN B Retail Design & Project Management, LLC
12 Goose Lane, Tolland, CT 06084
Tel: 860.870.5380 Fax: 860.870.5382
e-mail: cbomey@planbretail.com

NOTE:
EQUIPMENT MANUFACTURER SPECIFICATIONS ARE SUBJECT TO CHANGE WITHOUT NOTICE. GC AND RC ARE TO VERIFY AND COORDINATE ALL CRITICAL EQUIPMENT DIMENSIONS AND REQUIRED UNDERGROUND UTILITY LOCATIONS WITH APPROVED EQUIPMENT MANUFACTURER SPECIFICATIONS.

NOTE TO CONTRACTORS:
IT IS THE RESPONSIBILITY OF EACH CONTRACTOR TO OBTAIN AND USE THE LATEST PLANS.
ARCTIC COOLING SYSTEMS WILL NOT BE RESPONSIBLE FOR ANY CONSTRUCTION WORK PERFORMED WITH OBSOLETE PLANS.

Sheet File Name: 03 Mar 2021 12:15:15
 Autodesk Revit: 11/23/21
 Z:\Projects\Projects\Adams Fairacre Farms\Middletown, NY\22-23-25-THILL.dwg - Plotter on: Mar 03, 2021 12:15:15
 Z:\Projects\Projects\Adams Fairacre Farms\Middletown, NY\22-23-25-THILL.dwg - Plotter on: Mar 03, 2021 12:15:15



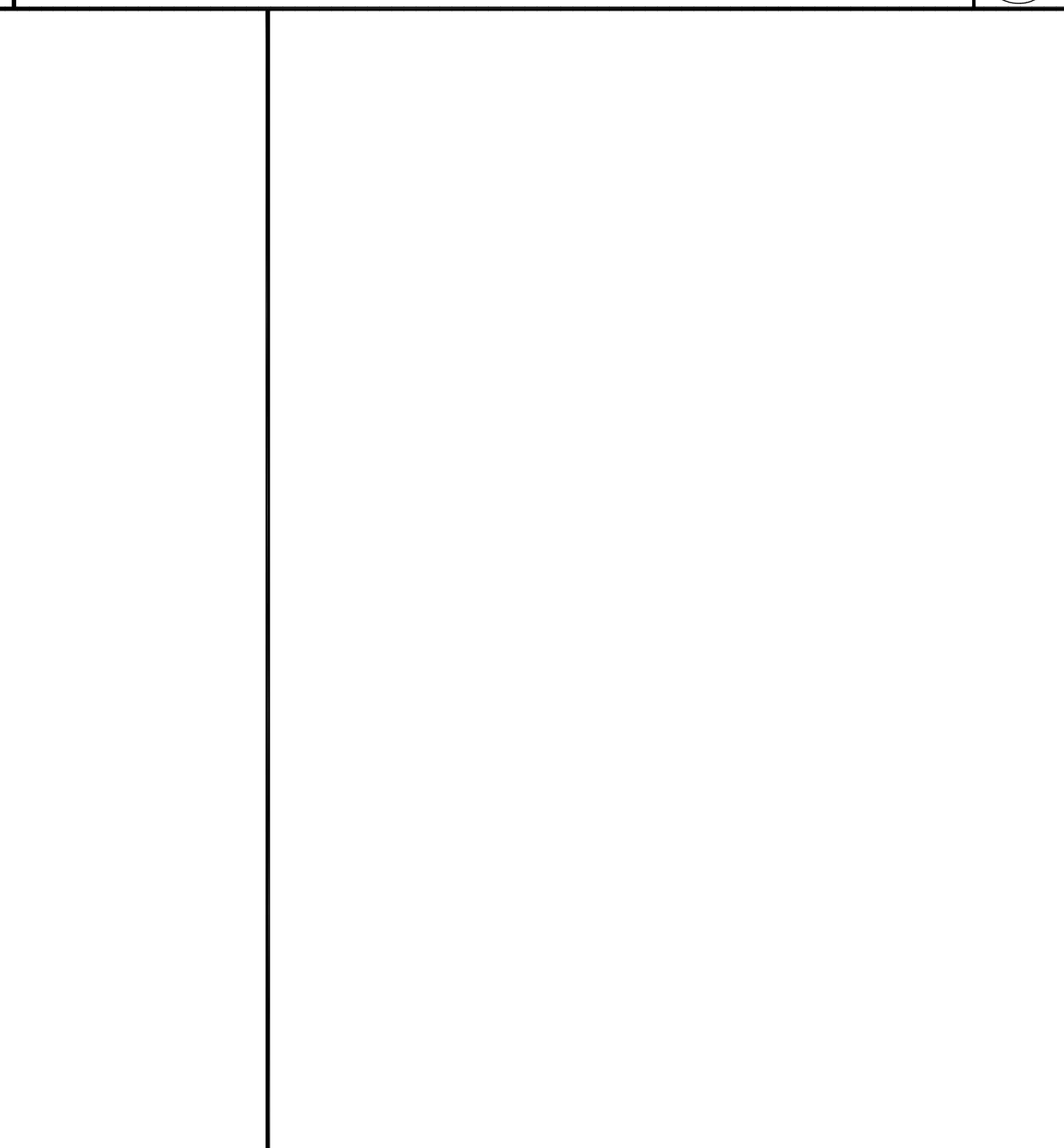
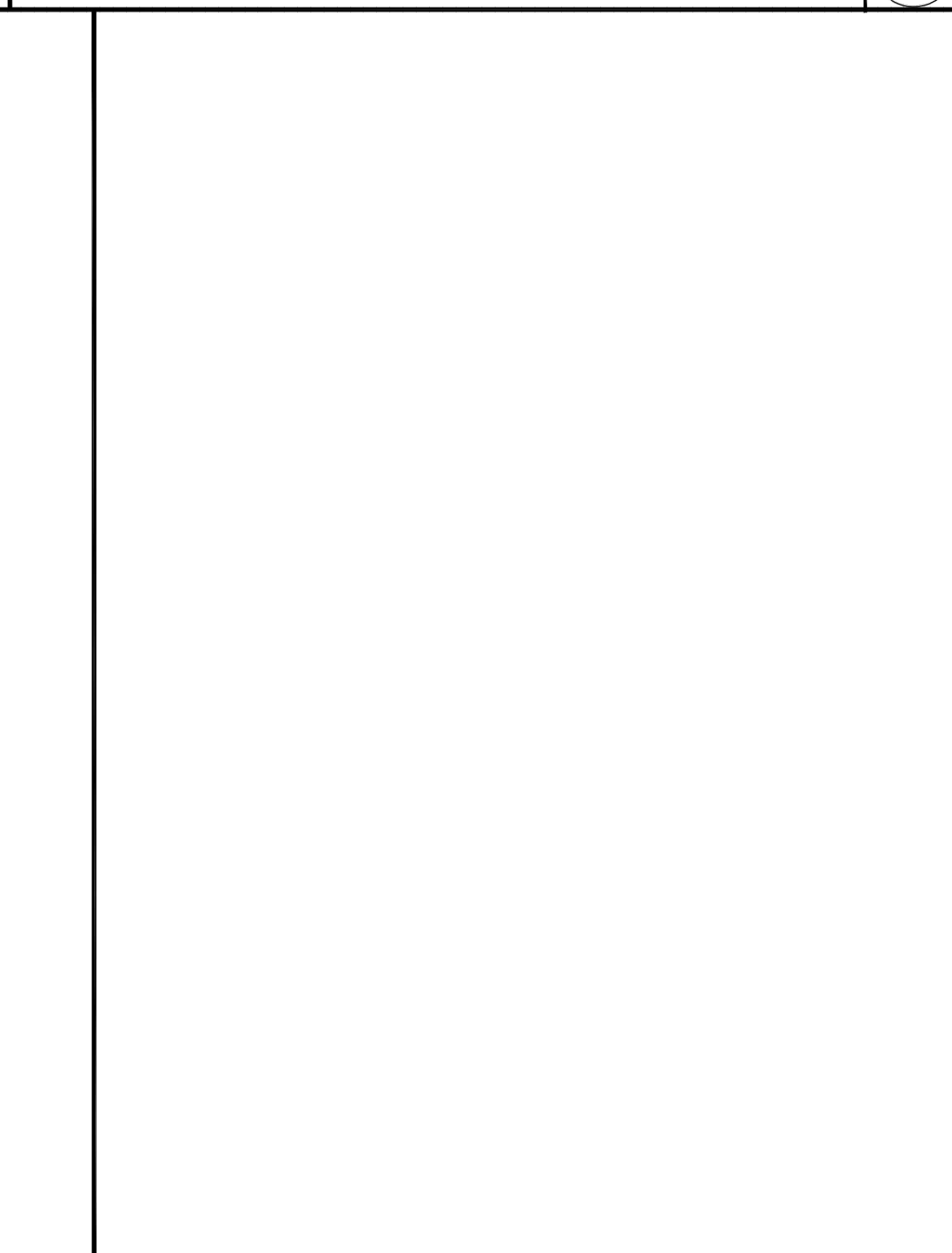
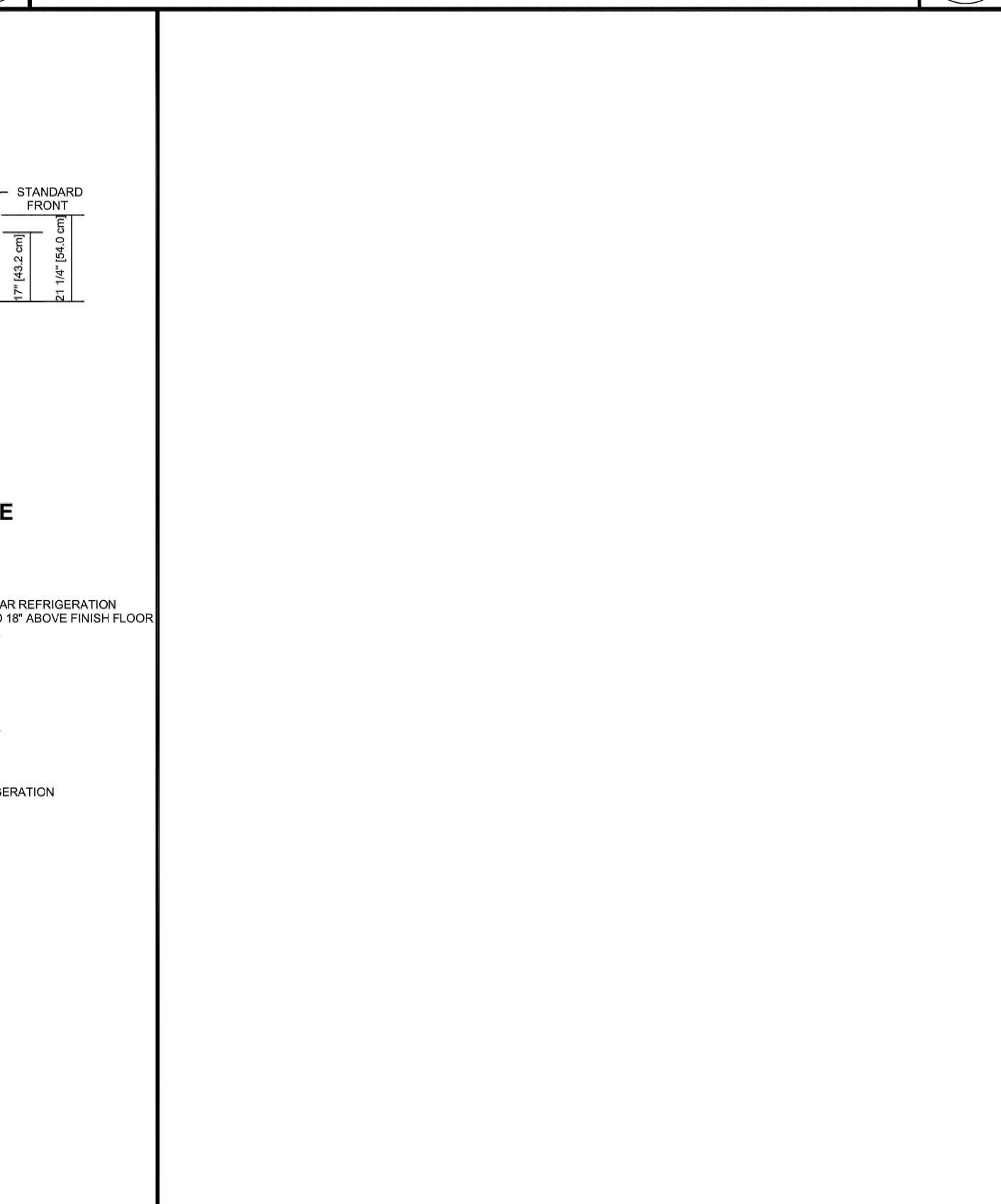
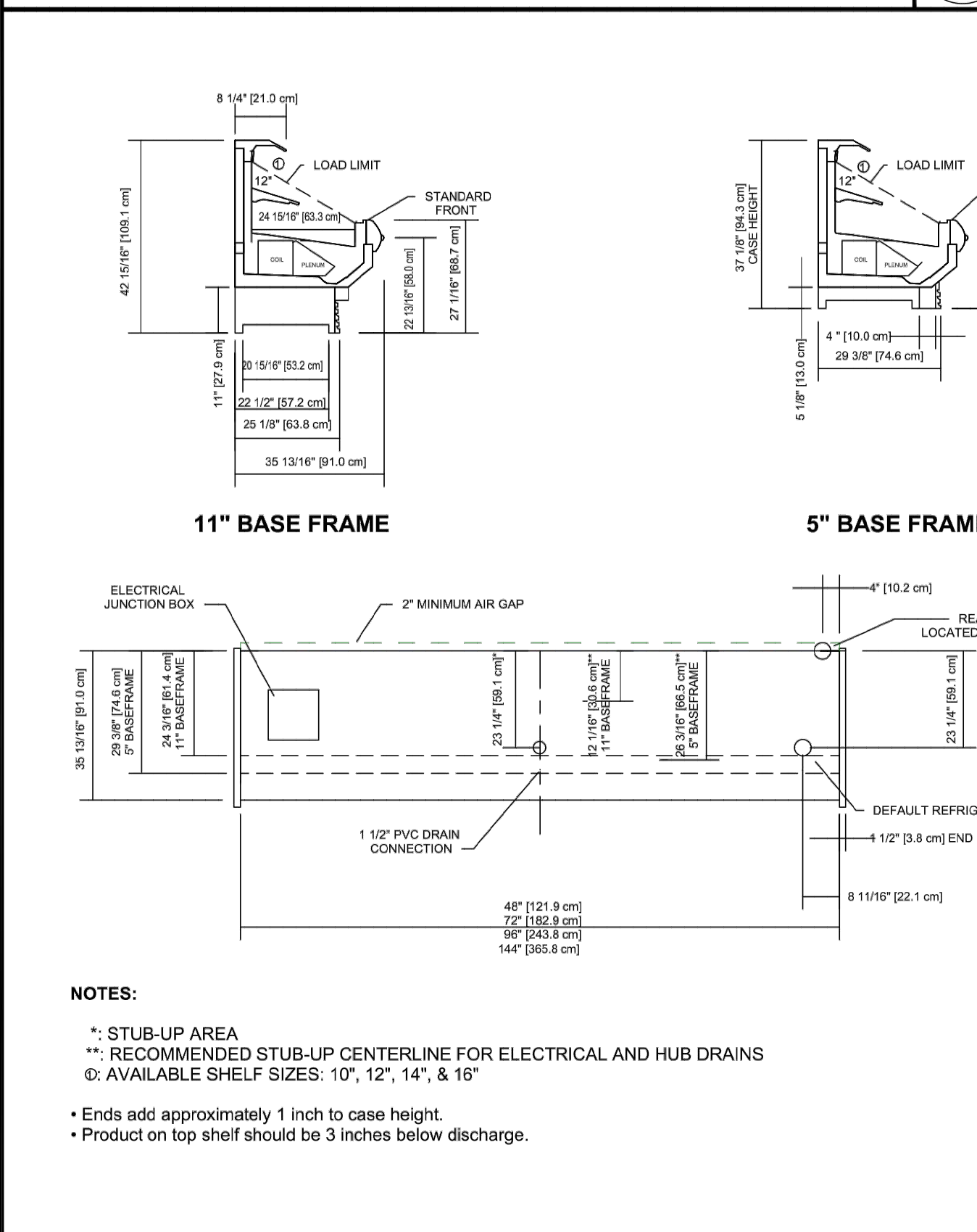
GMD SERVICE BAKERY CASE 1 R5.1

OWRL ROLL-IN EGG CASE 2 R5.1

OHM MULTI DECK MEAT CASE 3 R5.1

SGM-30 SERVICE DELI CASE 4 R5.1

PTD SERVICE/SELF-SERVICE DELI CASE 5 R5.1



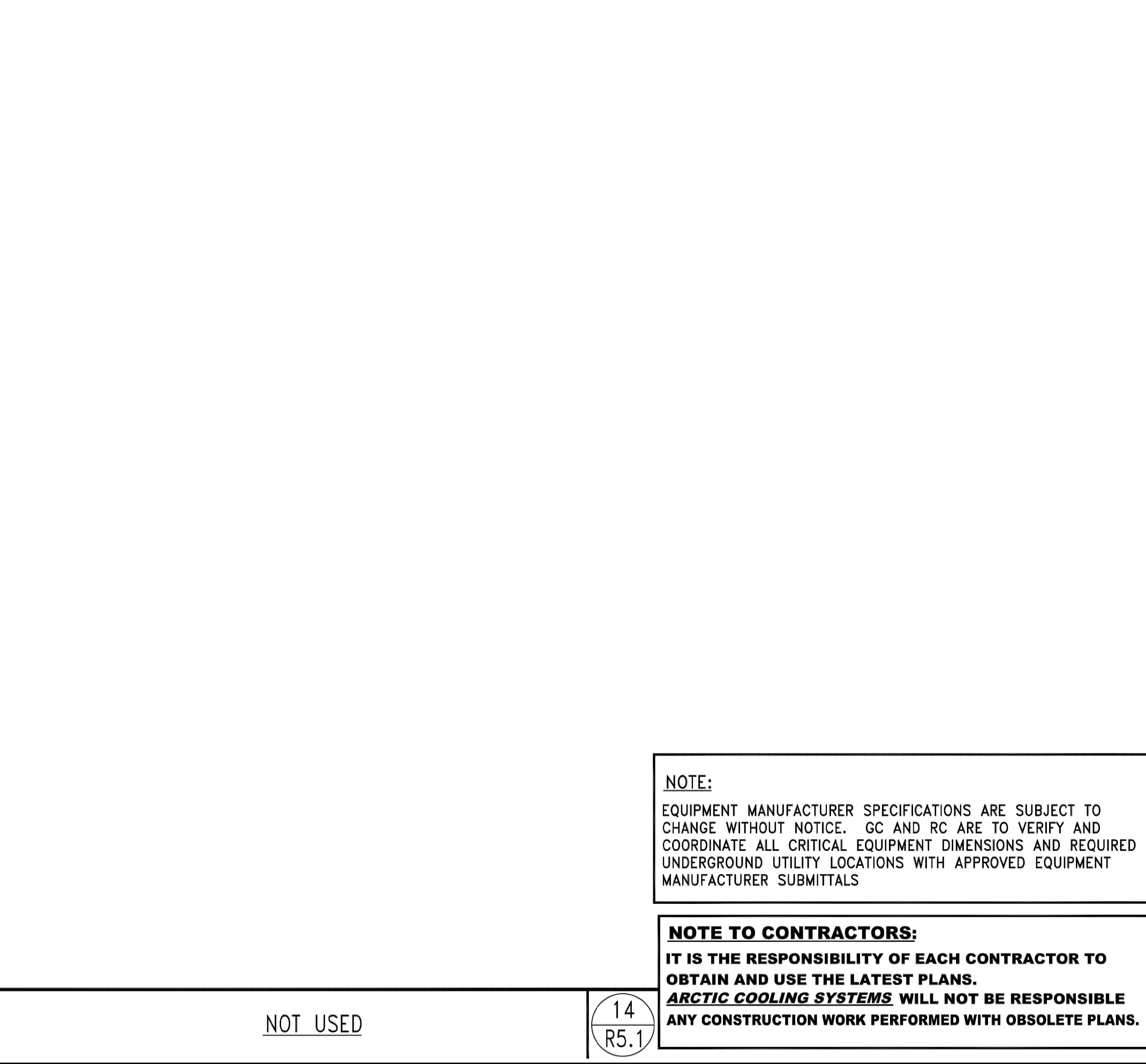
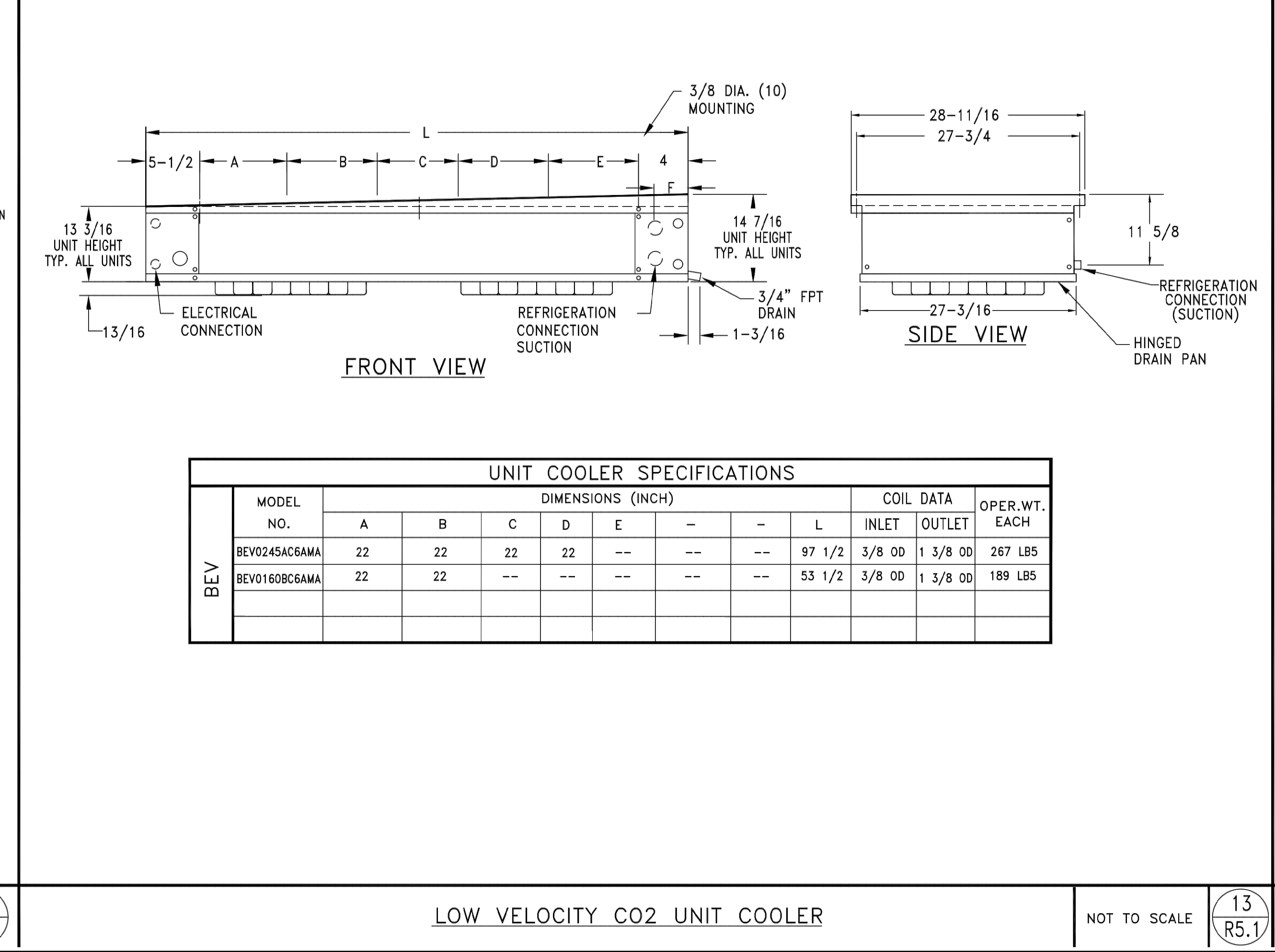
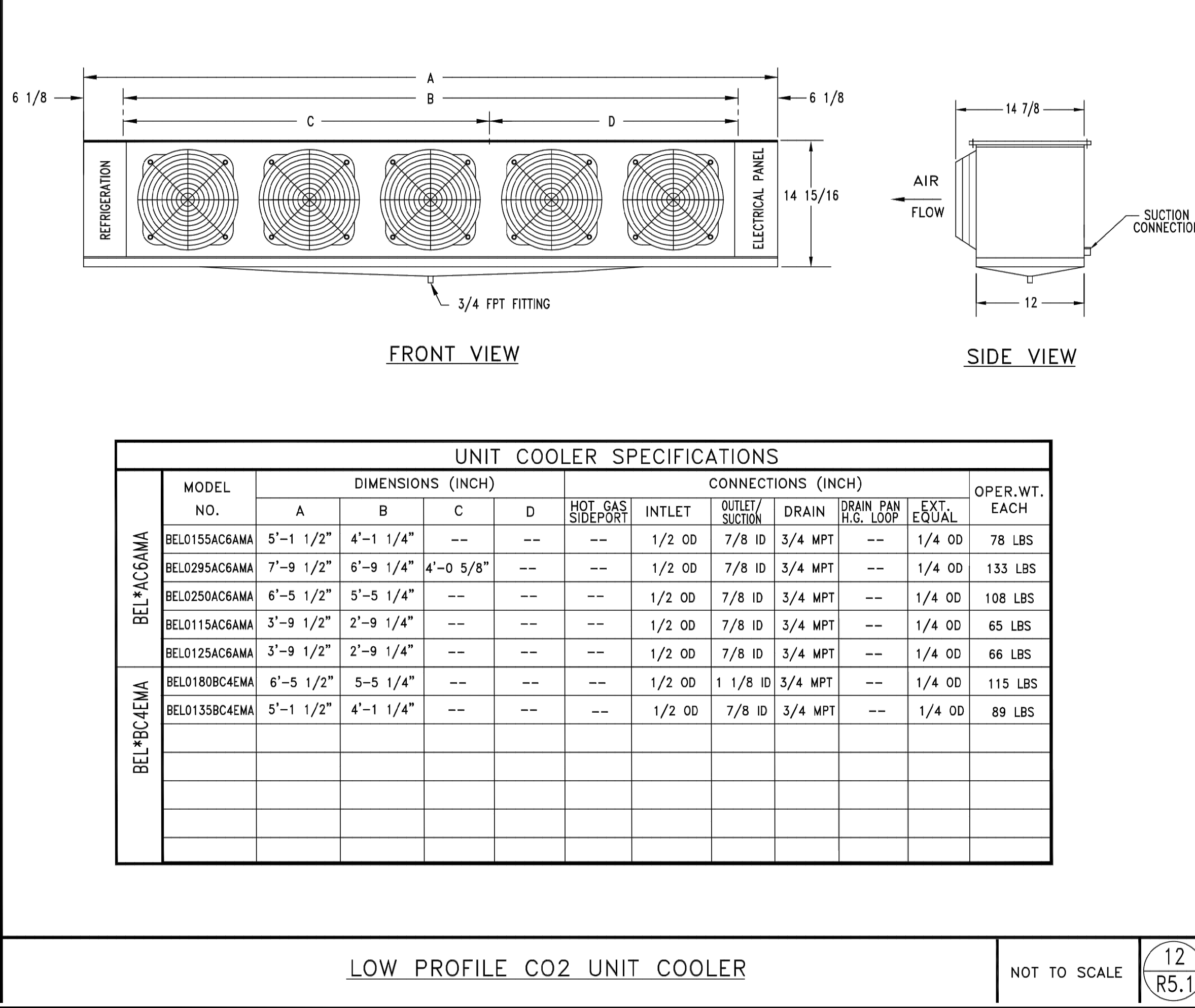
ONUM LOW SELF SERVICE CASE 7 R5.1

NOT USED 8 R5.1

NOT USED 9 R5.1

NOT USED 10 R5.1

NOT USED 11 R5.1



UNIT COOLER SPECIFICATIONS											
MODEL NO.	DIMENSIONS (INCH)				CONNECTIONS (INCH)				OPER. WT. EACH		
	A	B	C	D	HOT GAS SIDEPORT	INLET	OUTLET/SUCTION	DRAIN H.G. LOOP		EXT. EQUAL	
BELO155AC6AMA	5'-1 1/2"	4'-1 1/4"	--	--	--	1/2 OD	7/8 ID	3/4 MPT	--	1/4 OD	78 LBS
BELO295AC6AMA	7'-9 1/2"	6'-9 1/4"	4'-0 5/8"	--	--	1/2 OD	7/8 ID	3/4 MPT	--	1/4 OD	133 LBS
BELO250AC6AMA	6'-5 1/2"	5'-5 1/4"	--	--	--	1/2 OD	7/8 ID	3/4 MPT	--	1/4 OD	108 LBS
BELO115AC6AMA	3'-9 1/2"	2'-9 1/4"	--	--	--	1/2 OD	7/8 ID	3/4 MPT	--	1/4 OD	65 LBS
BELO125AC6AMA	3'-9 1/2"	2'-9 1/4"	--	--	--	1/2 OD	7/8 ID	3/4 MPT	--	1/4 OD	66 LBS
BELO180BC4EMA	6'-5 1/2"	5'-5 1/4"	--	--	--	1/2 OD	1 1/8 ID	3/4 MPT	--	1/4 OD	115 LBS
BELO155BC4EMA	5'-1 1/2"	4'-1 1/4"	--	--	--	1/2 OD	7/8 ID	3/4 MPT	--	1/4 OD	89 LBS

UNIT COOLER SPECIFICATIONS										
MODEL NO.	DIMENSIONS (INCH)					COIL DATA		OPER. WT. EACH		
	A	B	C	D	E	L	INLET		OUTLET	
BEV0245AC6AMA	22	22	22	22	--	--	97 1/2	3/8 OD	1 3/8 OD	267 LBS
BEV0160BC6AMA	22	22	--	--	--	--	53 1/2	3/8 OD	1 3/8 OD	189 LBS

NOTE:
 EQUIPMENT MANUFACTURER SPECIFICATIONS ARE SUBJECT TO CHANGE WITHOUT NOTICE. GC AND RC ARE TO VERIFY AND COORDINATE ALL CRITICAL EQUIPMENT DIMENSIONS AND REQUIRED UNDERGROUND UTILITY LOCATIONS WITH APPROVED EQUIPMENT MANUFACTURER SUBMITTALS.

NOTE TO CONTRACTORS:
 IT IS THE RESPONSIBILITY OF EACH CONTRACTOR TO OBTAIN AND USE THE LATEST PLANS. ARCTIC COOLING SYSTEMS WILL NOT BE RESPONSIBLE ANY CONSTRUCTION WORK PERFORMED WITH OBSOLETE PLANS.

PROJECT NAME: ADAMS FAIRACRE FARMS
 NYS Route 211
 Middletown, NY
 DRAWING TITLE: CASE SECTIONS AND COIL DETAILS
 SCALE: 1/2" = 1'-0"
 DRAWN BY: AARON PEREZ
 CHECKED BY: ...
 PROJECT NO.: 1923
 SHEET NO.: R5.1
 DATE: FEBRUARY 22, 2021
 PRODUCT NO.: 1923
 ARCTIC COOLING SYSTEMS
 14350 CHEROKEE PL
 CHINO, CA 91710
 Phone: 909-270-2111