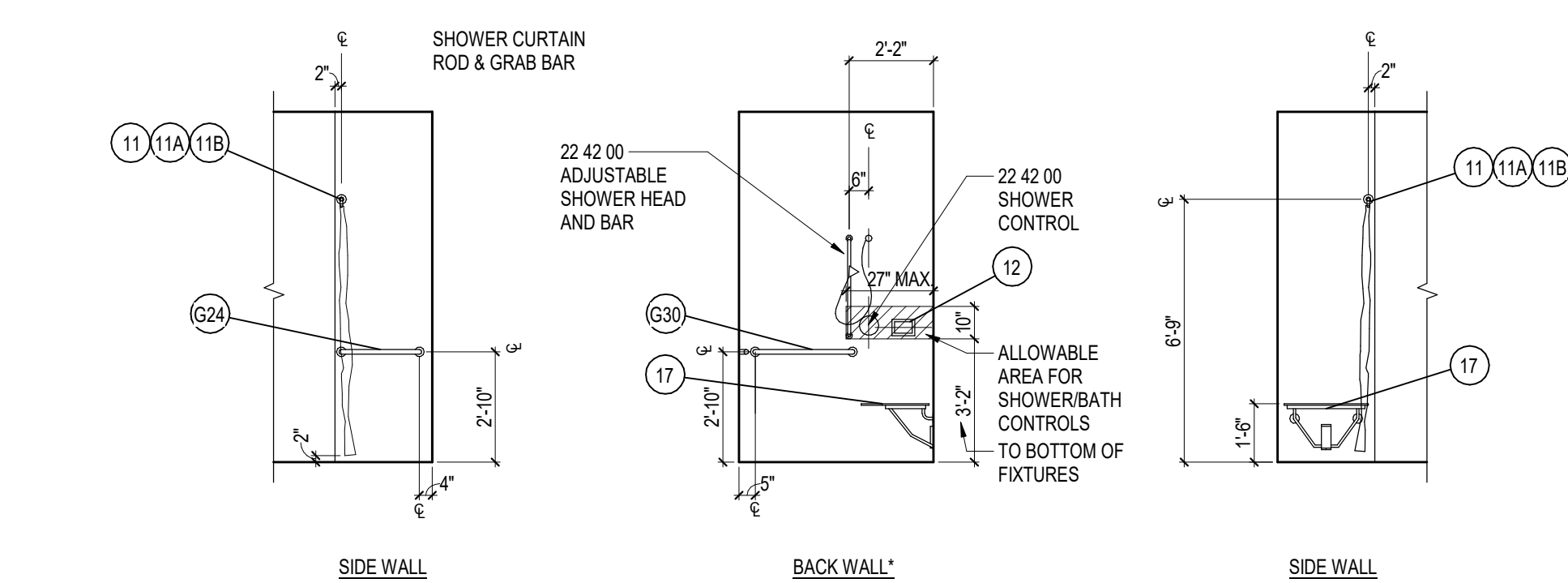
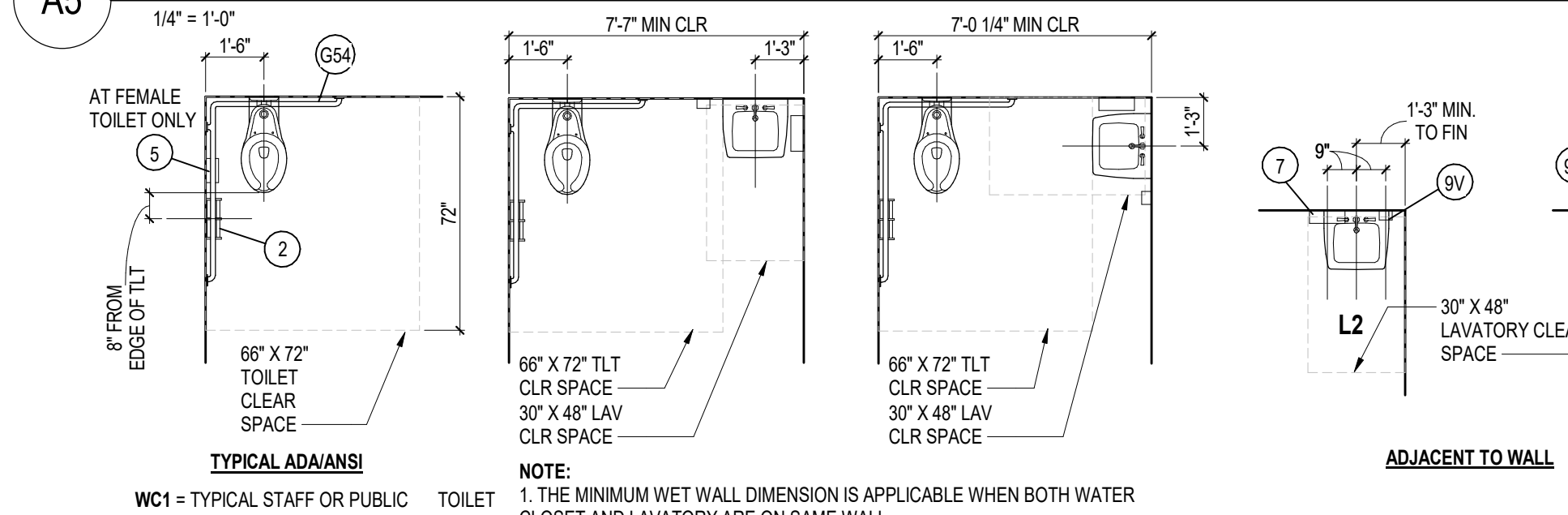


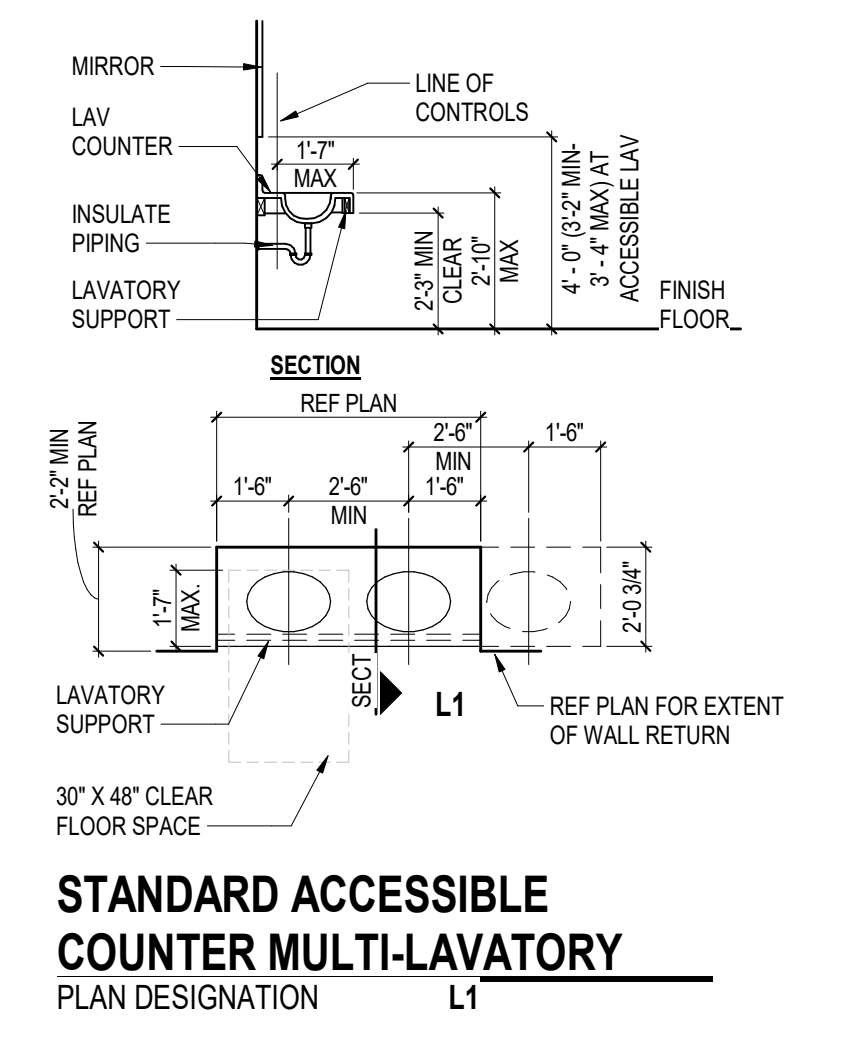
7/27/2021 3:54:23 PM



TYPICAL 5'-0" x 2'-6" ACCESSIBLE ROLL-IN SHOWER MOUNTING HEIGHTS AND DIMENSIONS
 * REFERENCE PLUMBING FIXTURE SPECIFICATIONS FOR MOUNTING CRITERIA*



STANDARD ACCESSIBLE LAVATORY LAYOUTS
 PLAN DESIGNATION L2



STANDARD ACCESSIBLE COUNTER MULTI-LAVATORY
 PLAN DESIGNATION L1

WATER CLOSET LAYOUTS
 PLAN DESIGNATION WC1

MINIMUM TOILET DIMENSIONS
 SCALE: 1/4" = 1'-0"

STANDARD LAYOUTS
 NOTE: LOCATE FLUSH ACTIVATION ON WIDE SIDE AT ALL TOILETS - LOCATE FLUSH VALVE BENEATH ADJACENT GRAB BARS. LAYOUTS BASED ON WALL HUNG TOILETS.

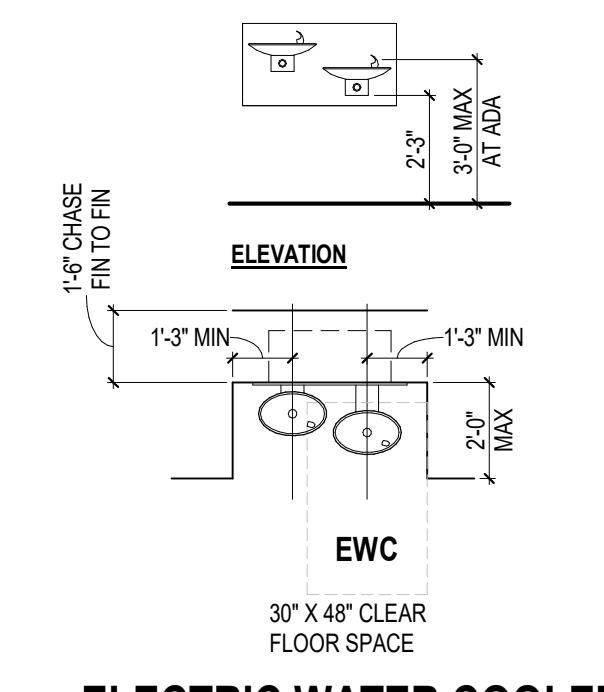
TOILET ACCESSORY MOUNTING DIAGRAM

TOILET ACCESSORY TYPE	ROBE HOOK	ROBE HOOK	COAT HOOK/ RACK	TOILET TISSUE DISPENSER	FEMININE NAPKIN DISPOSAL (WOMENS ONLY)	PAPER TOWEL DISPENSER	PAPER TOWEL DISPENSER	WASTE RECEPTACLE	WASTE RECEPTACLE	SOAP DISPENSER	MOP/BROOM RACK	SHOWER CURTAIN ROD, CURTAIN & HOOKS	SOAP DISH	TOILET SEAT COVER DISPENSER	HAND SANITIZER DISPENSER
MOUNTING DETAIL - REFER TO SHEET A-722/FB, UNO	A	A	B	A	A	A	A	A	C1/A-722	A	B	A	A	A	A
JSN	A5145	A5145	A5150 A5140	A5200	A5000	A5080 A5082	A5081	F2017M	C1/A-722	A5075	A5135	A5175	A5170	A5070 A5077	
DRAWING DESIGNATION	(1A) SINGLE (1C) DOUBLE	(1B) SINGLE ACCESSIBLE (1D) DOUBLE ACCESSIBLE	(1E) CUSTOM OR MULTIPLE (1F) BEHAVIOR HEALTH	(2) SURFACE MOUNTED DOUBLE ROLL	(3) SURFACE MOUNTED	(7) SURFACE MOUNTED (7B) SURFACE MOUNTED, HANDS FREE	(7A) RECESSED	(8) SURFACE MOUNTED	(8B) SEMI RECESSED	(9) SURFACE MOUNTED HORIZONTAL (9V) SURFACE MOUNTED VERTICAL	(10) HOLDERS (10A) HOLDERS, HOOKS, SHELF & ROD	(11) SHOWER CURTAIN ROD (11A) SHOWER CURTAIN HOOKS	(12) RECESSED (12A) SURFACE MOUNTED	(26) RECESSED (26A) SURFACE MOUNTED	(27) SURFACE MOUNTED (27A) FLOOR STAND MOUNTED
FINISH FLOOR	5'-6" UNO	4'-7" MAX. AT ACCESSIBLE	4'-7" MAX. AT ACCESSIBLE	8" FROM EDGE OF TOILET	2'-1"	4'-7" MAX. TO TOP	3'-4" TO TOP EDGE	3'-4" TO TOP EDGE	4'-7" MAX. TO TOP EDGE	4'-7" MAX. TO TOP	6'-0" MIN.	6'-0" MIN.	3'-4" TO TOP	4'-7" MAX. TO TOP	4'-7" MAX. TO TOP
TOILET ACCESSORY TYPE	STAINLESS STEEL FRAMED MIRROR	STAINLESS STEEL FRAMED MIRROR	STAINLESS STEEL SHELF	TOWEL BAR	SHOWER SEAT	BABY CHANGING STATION	HAND DRYER	GRAB BAR	ACCESSIBLE TOILET OR SHOWER L-SHAPED GRAB BAR	ACCESSIBLE TRANSFER SHOWER L-SHAPED GRAB BAR	30" SWING-UP GRAB BAR				
MOUNTING DETAIL - REFER TO SHEET A-722/FB, UNO	B	B	C	B	B1 & B3/A-554	B	A	C	C	C	F1/A-554				
JSN	A1096 A1097	A1090	A5168	A5205	B1 & B3/A-554	A4895	A5084	A5109	A5110	A5110	A5115				
DRAWING DESIGNATION	(13) 18" W X 36" H SURFACE MOUNTED (14) 18" W X 36" H SURFACE MOUNTED TILTED FOR ADA REQUIREMENTS	(13) 24" W X 60" H SURFACE MOUNTED	(15) 16" W X 6" D	(16) 18" LONG	(17) WALL MOUNTED (17A) WALL MOUNTED W/ SWING LEGS (17C) CUSTOM	(21) HORIZONTAL MOLDED HDPE (22) VERTICAL MOLDED HDPE (23) HORIZONTAL SS MOLDED HDPE (24) CHILD PROTECTION SEAT	(25) SURFACE MOUNTED	(32A) 24" (32B) 36" (32C) 42" (32D) 48"	(36A) 54 X 42 L NON-SLIP FINISH (36B) 30 X 18 NON-SLIP FINISH	(36C) 30 FLIP UP GRAB BAR (36D) 30 FLIP UP GRAB BAR WITH TOILET PAPER DISPENSER	(36E) 30 FLIP UP GRAB BAR				
FINISH FLOOR	3'-4" MAX. TO TOP OF SURFACE	CENTER OVER LAVATORY	4'-7" UNO	4'-7" UNO	17'-10"	2'-0" DIMENSION TO TOP OF TABLE IN FOLD-DOWN POSITION	4'-7" MAX. TO CONTROL	4'-7" TO CL	3'-0" TO CL	3'-0" TO CL	30" 3/4"				
TOILET ACCESSORY TYPE	HAND HELD SHOWER/ SHOWER HEAD	WALL HUNG TOILET	SERVICE SINK	WHEEL CHAIR ACCESSIBLE	WHEEL CHAIR ACCESSIBLE	AMBULATORY ACCESSIBLE	NURSING DOUBLE SWING UP GRAB BARS	NURSING DOUBLE SWING UP GRAB BARS - BARIATRIC							
MOUNTING DETAIL - REFER TO SHEET A-722/FB, UNO															
JSN															
DRAWING DESIGNATION															
FINISH FLOOR	4'-7" TO FLUSH/NOSE	1'-6" TO TOP OF SEAT	2'-1"	1'-6" TO TOP OF SEAT	2'-1"	2'-1"	1'-6"	1'-6"	1'-6"	1'-6"	1'-6"	1'-6"	1'-6"	1'-6"	1'-6"

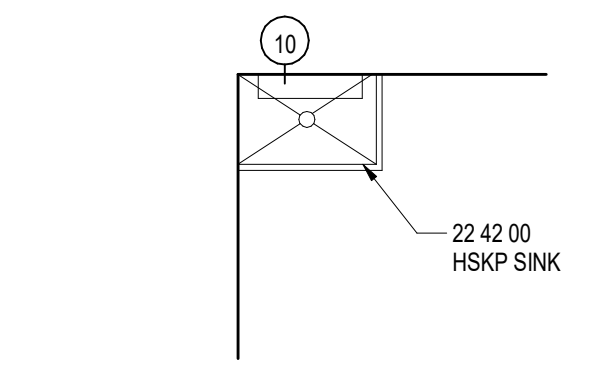
STANDARD MOUNTING DIAGRAMS

TOILET ACCESSORY NOTES:

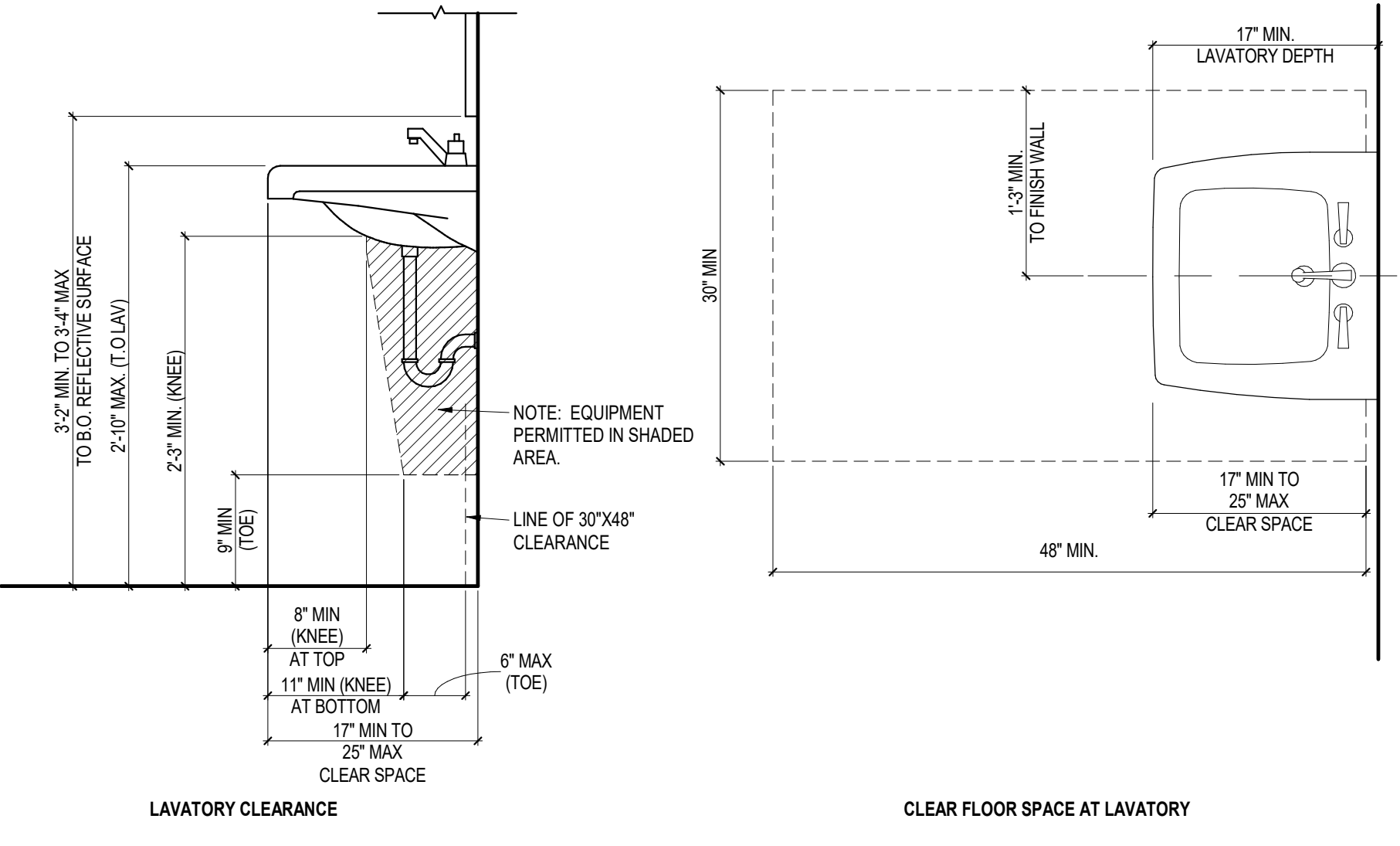
- ACCESSORIES LISTED MAY HAVE GAPS IN ALPHA-NUMERIC LISTING.
- ACCESSORIES CAN APPEAR ON FLOOR PLANS OR INTERIOR ELEVATIONS.
- SOME ACCESSORIES SHOWN ON THIS SHEET MAY NOT BE USED IN THE PROJECT. REFER TO SPECIFICATION SECTION 10 28 13.
- NOT ALL ACCESSORIES ARE CFCI. REFER TO SPECIFICATION SECTION 10 28 13 FOR TOILET AND BATH ACCESSORIES TO BE PROVIDED BY CONTRACTOR.
- LOCATIONS OF ACCESSORIES NOT INCLUDED IN 10 28 13 BUT SHOWN ON FLOOR PLANS AND INTERIOR ELEVATIONS ARE RECOMMENDED LOCATIONS FOR CFCI OR OFCI ITEMS.
- VA TO SUPPLY/CONTRACTOR TO INSTALL TOILET PAPER DISPENSER, PAPER TOWEL DISPENSER AND GARBAGE RECEPTACLES IN RESTROOMS.



ELECTRIC WATER COOLER
 PLAN DESIGNATION EWC1



TYPICAL HAC ROOM



LAVATORY CLEARANCE

Revisions:	Date:

CONSULTANT

NORRIS DESIGN
 Landscape Architect
 418 North Toole Avenue
 Tucson, AZ 85711
 (520) 622-9565
 Josh Orth, PLA

HINMAN
 Protective Design Specialist
 240 West 35th St, Suite 1004
 New York, NY 10001
 (212) 967-4890
 Corinne Tan, SE

C.S. Davidson, Inc.
 Structural
 515 West James Street, Suite 102
 Lancaster, PA 17603
 (717) 481-2991
 Jason Vannoy, SE, PE

MES GROUP
 MEP
 550 North Rios Street, Suite 203
 Tampa, FL 33609
 (813) 289-4700
 Nicholas Stephenson, PE

ARCHITECT/ENGINEER OF RECORD

A/E:
 TRIPLE C - The A/E Group
 201 E. Jefferson Street, Suite 200
 Syracuse, NY 13202
 (315) 484-9958
 Mat Perkins

TRIPLE C - THE A/E GROUP
 A MULTI-DISCIPLINE COMPANY

STAMP

Office of Construction and Facilities Management
 U.S. Department of Veterans Affairs

Drawing Title
 TYPICAL MOUNTING HEIGHTS

Approved:

Phase
 ISSUED FOR CONSTRUCTION

Phase
 FULLY SPRINKLERED

Project Title
 NEW COMMUNITY LIVING CENTER

Location
 2094 Albany Post Road, Montrose, NY 10548

Issue Date
 05/09/2022

Checked
 M. PERKINS

Drawn
 E. DANIELS

Project Number
 620-334

Building Number
 CLC

Drawing Number
 A-730