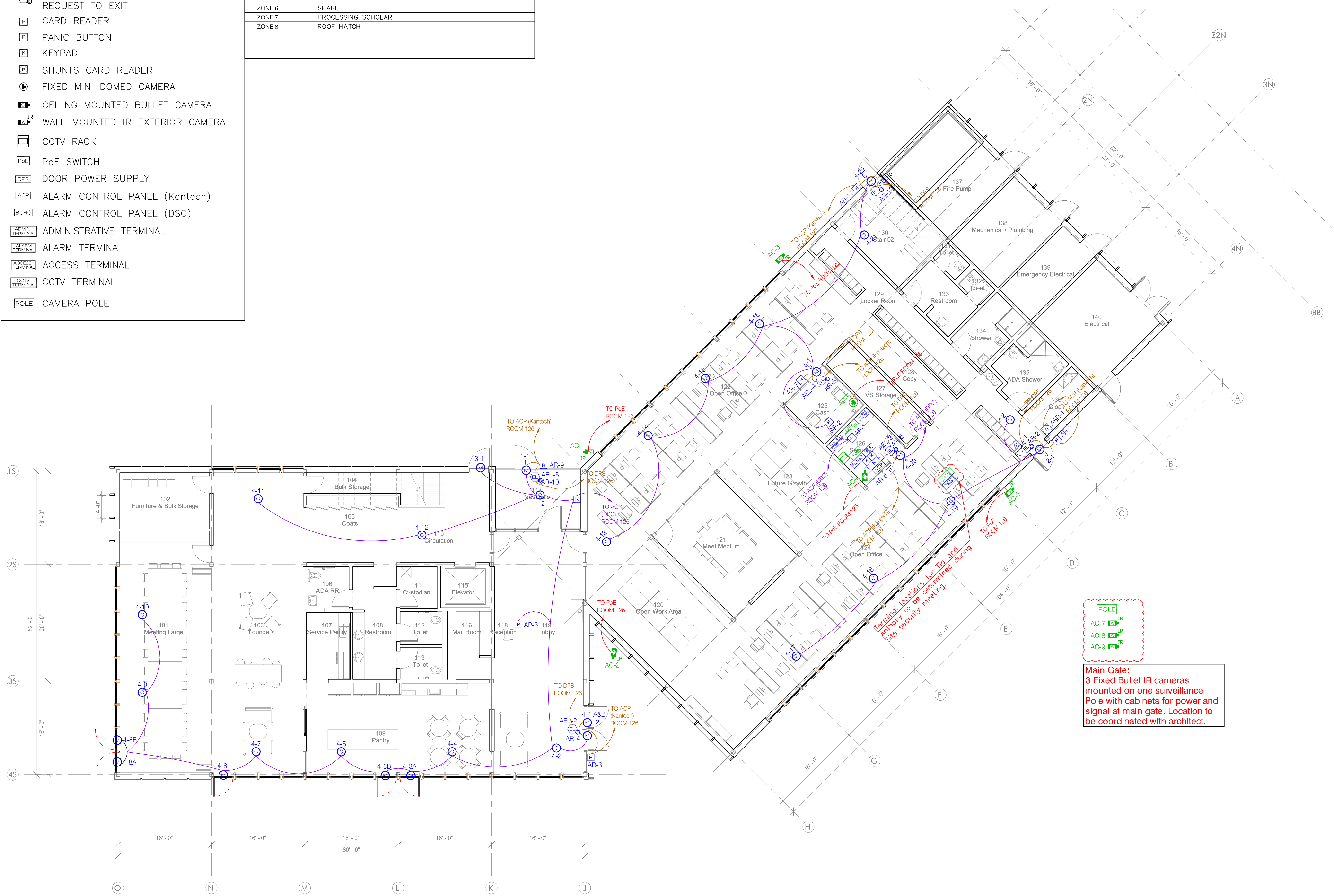


SYMBOL LIST	
	CEILING MOUNTED MOTION DETECTOR
	ROOF HATCH MAGNETIC DOOR CONTACT
	MAGNETIC DOOR CONTACT
	ELECTRIC LOCKSET W/ INTEGRATED REQUEST TO EXIT
	CARD READER
	PANIC BUTTON
	KEYPAD
	SHUNTS CARD READER
	FIXED MINI DOMED CAMERA
	CEILING MOUNTED BULLET CAMERA
	WALL MOUNTED IR EXTERIOR CAMERA
	CCTV RACK
	PoE SWITCH
	DOOR POWER SUPPLY
	ALARM CONTROL PANEL (Kantech)
	ALARM CONTROL PANEL (DSC)
	ADMINISTRATIVE TERMINAL
	ALARM TERMINAL
	ACCESS TERMINAL
	CCTV TERMINAL
	CAMERA POLE

ADMIN PARTITION SCHEDULE	
ZONE 1	VESTIBULE ENTRY
ZONE 2	STAFF ENTRY
ZONE 3	EMERGENCY EXIT
ZONE 4	COMMON SPACE
ZONE 5	CASH HANDLING
ZONE 6	SPARE
ZONE 7	PROCESSING SCHOLAR
ZONE 8	ROOF HATCH



**Owner**  
Storm King Art Center  
1 Museum Road  
New Windsor, NY 12553  
+1 (845) 534-3115

**Design Architect**  
Henehan Peng Architects  
14-16 Lord Edward Street  
Dublin, D02 YC63  
+353 1 633 9000

**Executive Architect**  
WXY Architecture + Urban Design  
224 Centre Street, 5th Floor  
New York, NY 10013  
+1 (212) 219-1953

**Landscape Architect**  
Gustafson Porter + Bowman  
1 Cobham Mews  
London, MW1 9SB, UK  
+44 020 7284 8950

**Structural & Lighting**  
ARUP  
77 Water Street  
New York, NY 10005  
+1 (212) 896-3000

**MEP/FP & Sustainability**  
BuroHappold  
100 Broadway #23  
New York, NY 10005  
+1 (212) 616-0228

**Civil**  
VHB  
100 Great Oaks Blvd., Suite 118  
Albany, NY 12203  
+1 (518) 389-3606

**Key Plan**

Description	Date
50% Design Development	11/06/20

**Project**  
Storm King Art Center  
Administration Building

1 Museum Road  
New Windsor, NY 12553

**Seal**

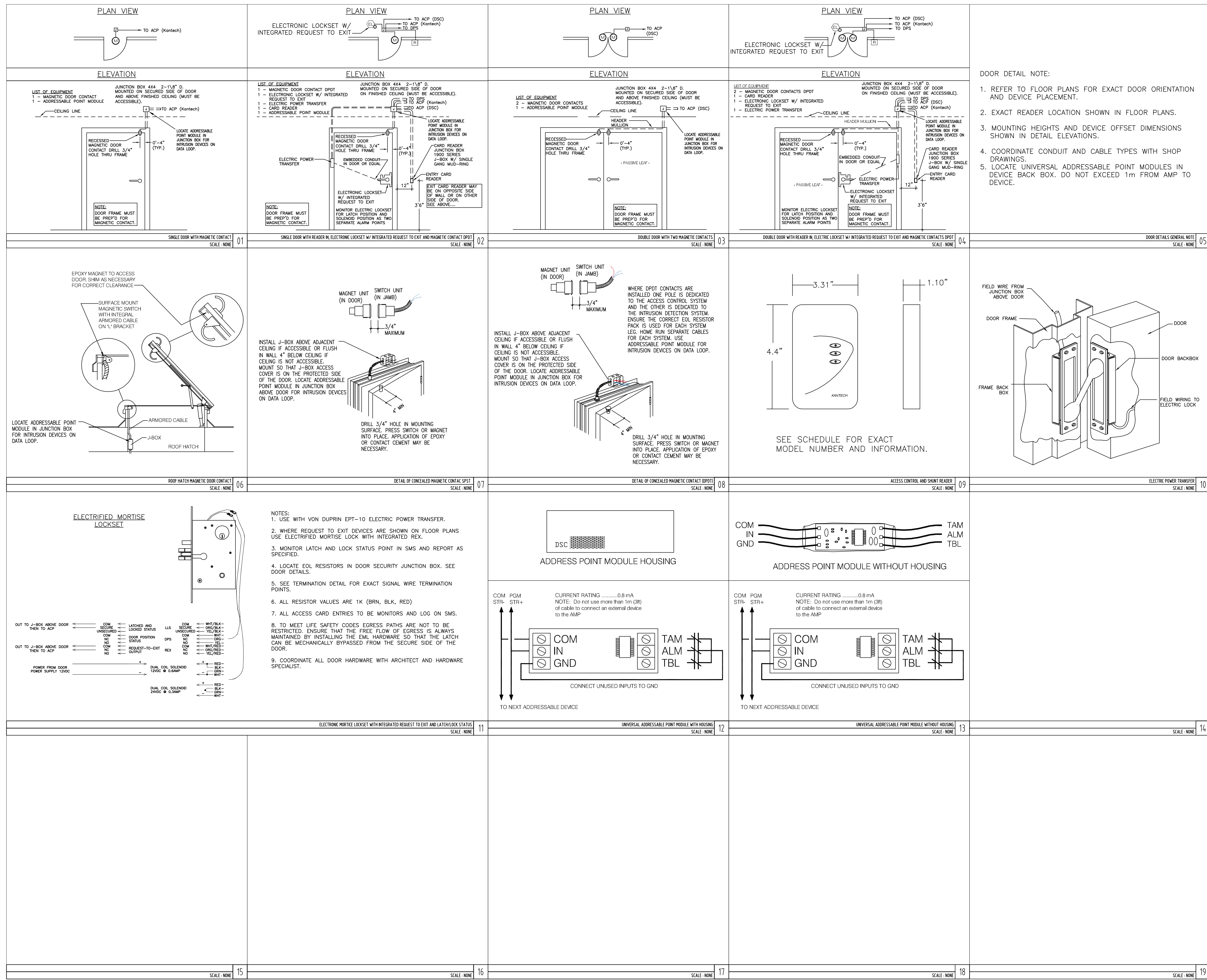
**NOT FOR CONSTRUCTION**

**Drawing Title**  
Floor Plan - Ground Level  
Security & CCTV System

Date	06/29/20
Scale	1/8" = 1'-0"
Drawing Number	SC-A-101
Sheet Size	ARCH D

1 Ground Level  
1/8" = 1'-0"





**Owner**

Storm King Art Center  
1 Museum Road  
New Windsor, NY 12553  
+1 (845) 634-3115

**Design Architect**

Heneghan Peng Architects  
14-16 Lord Edward Street  
Dublin, D02 YC63  
+1 (212) 1633 9000

**Executive Architect**

WXY Architecture + Urban Design  
224 Centre Street, 5th Floor  
New York, NY 10013  
+1 (212) 219-1953

**Landscape Architect**

Gustafson Porter + Bowman  
1 Cobham Mews  
London, MW1 9SB, UK  
+44 020 7284 8950

**Structural & Lighting**

ARUP  
77 Water Street  
New York, NY 10005  
+1 (212) 896-3000

**MEP/FP & Sustainability**

BuroHappold  
100 Broadway #23  
New York, NY 10005  
+1 (212) 616-0228

**Civil**

VHB  
100 Great Oaks Blvd., Suite 118  
Albany, NY 12203  
+1 (518) 389-3606

**Key Plan**

Description	Date
50% Design Development	11/06/20

**Project**

# Storm King Art Center Administration Building

1 Museum Road  
New Windsor, NY 12553

**Seal**

**NOT FOR CONSTRUCTION**

Drawing Title

## Details Security & CCTV System

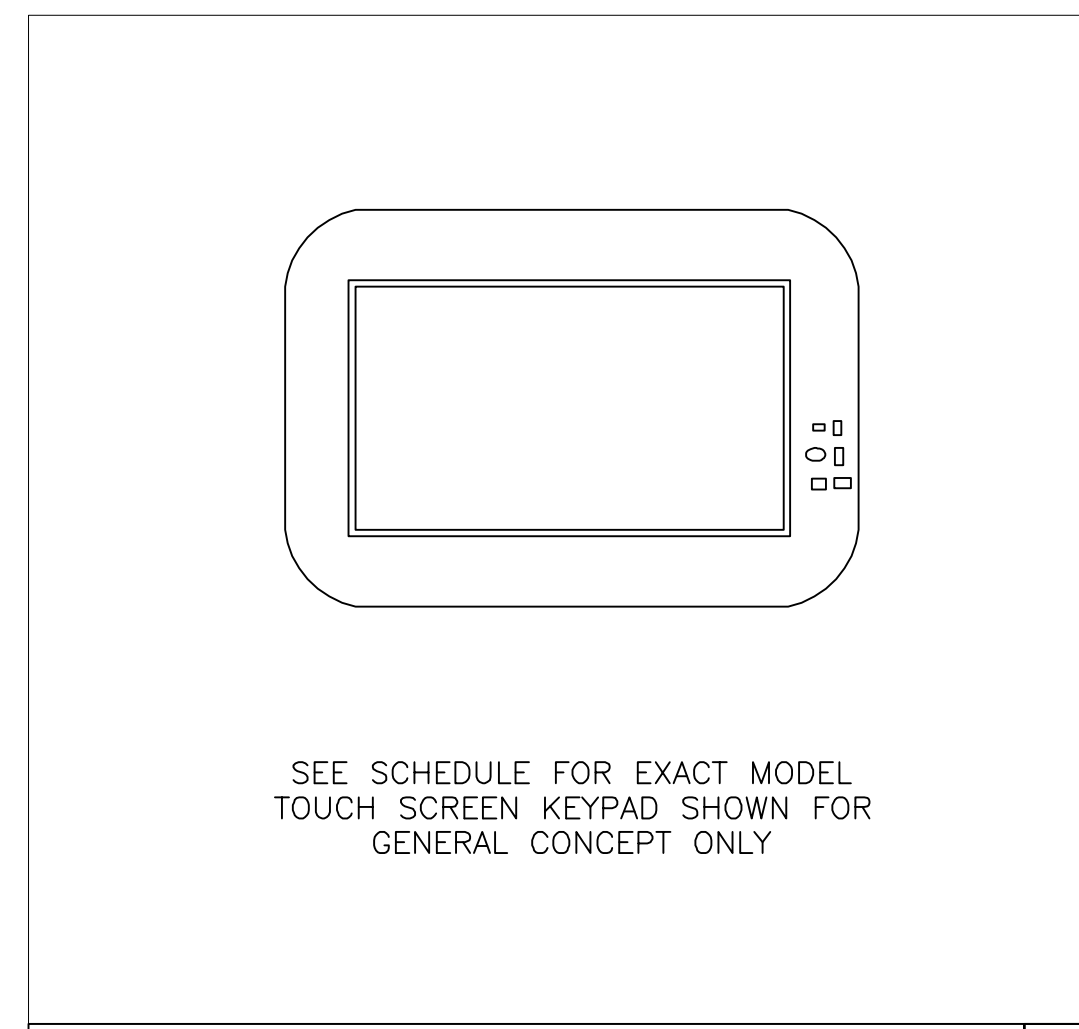
Date 06/29/20

Scale 1/8" = 1'-0"

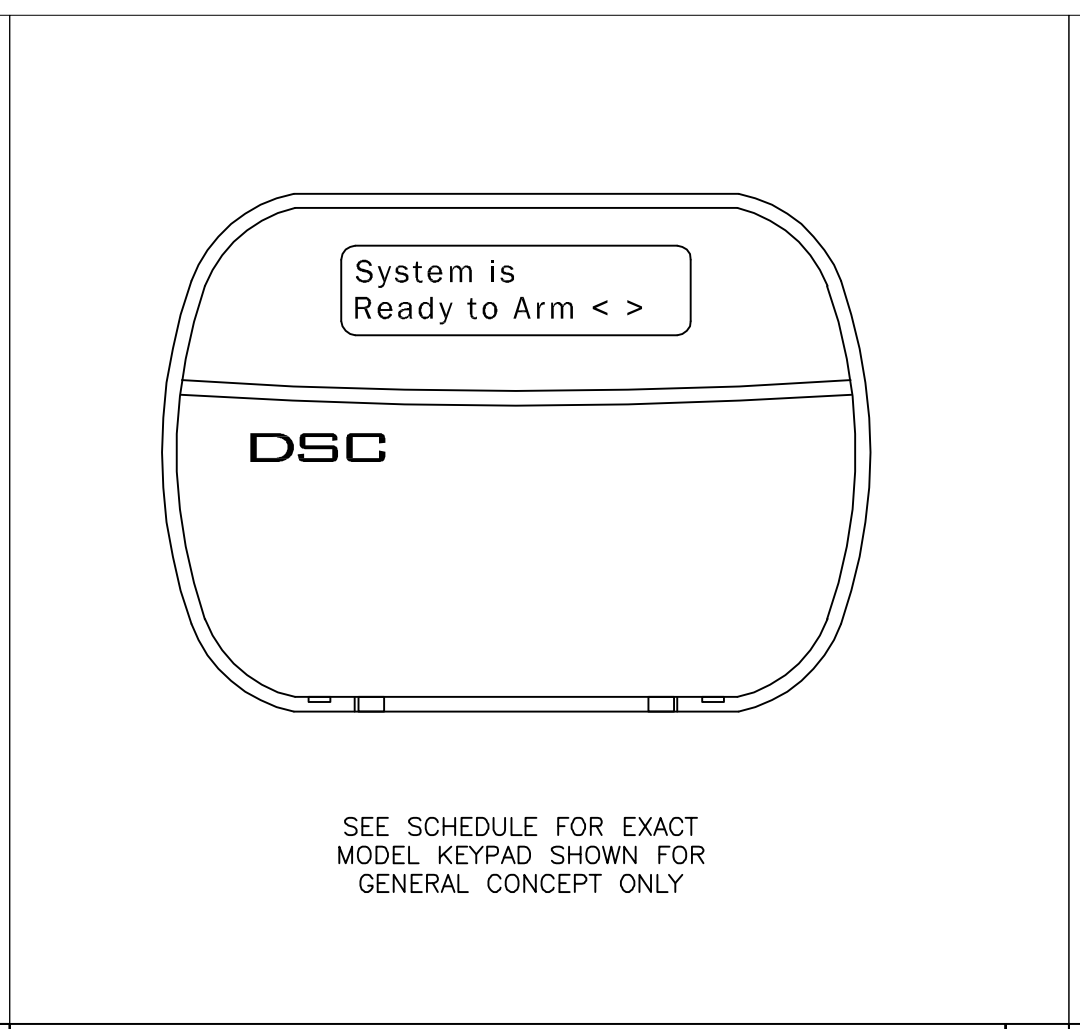
Drawing Number SC-A-200

Sheet Size ARCH D

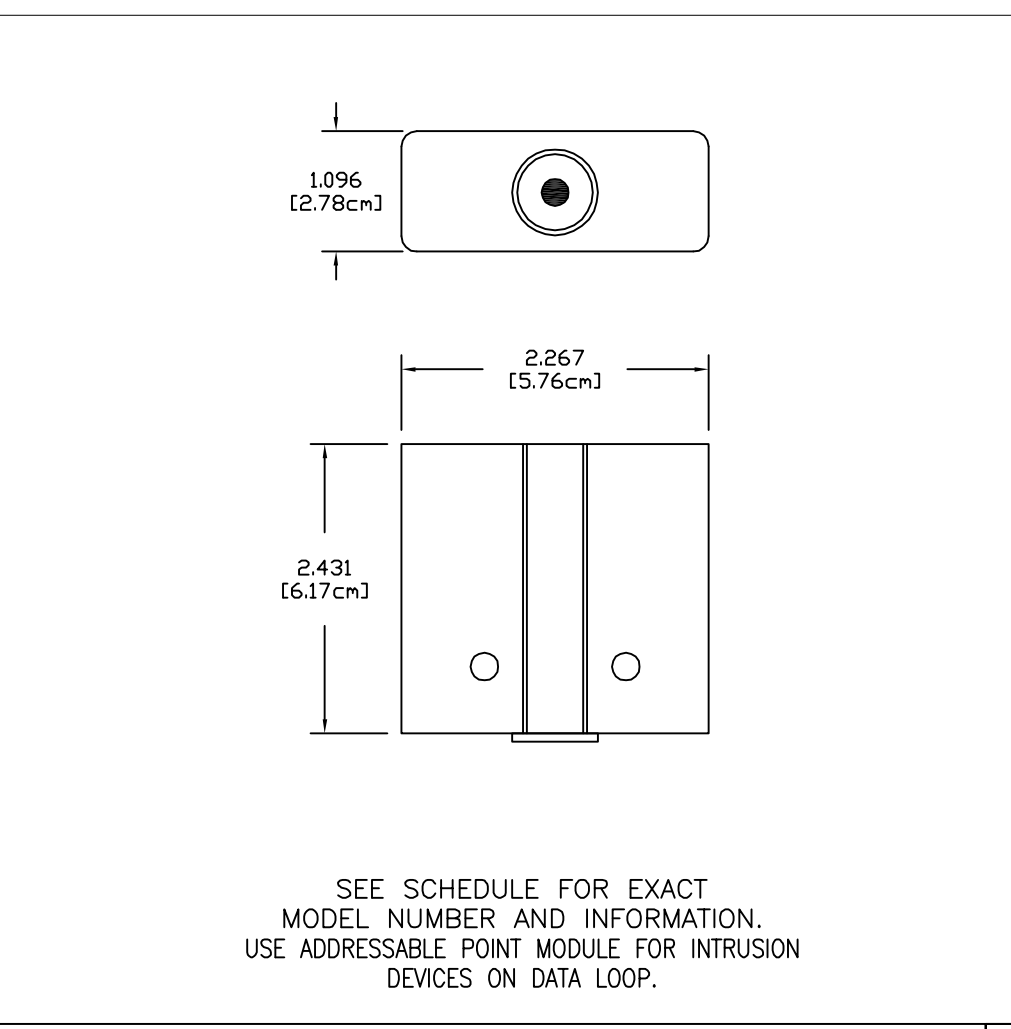




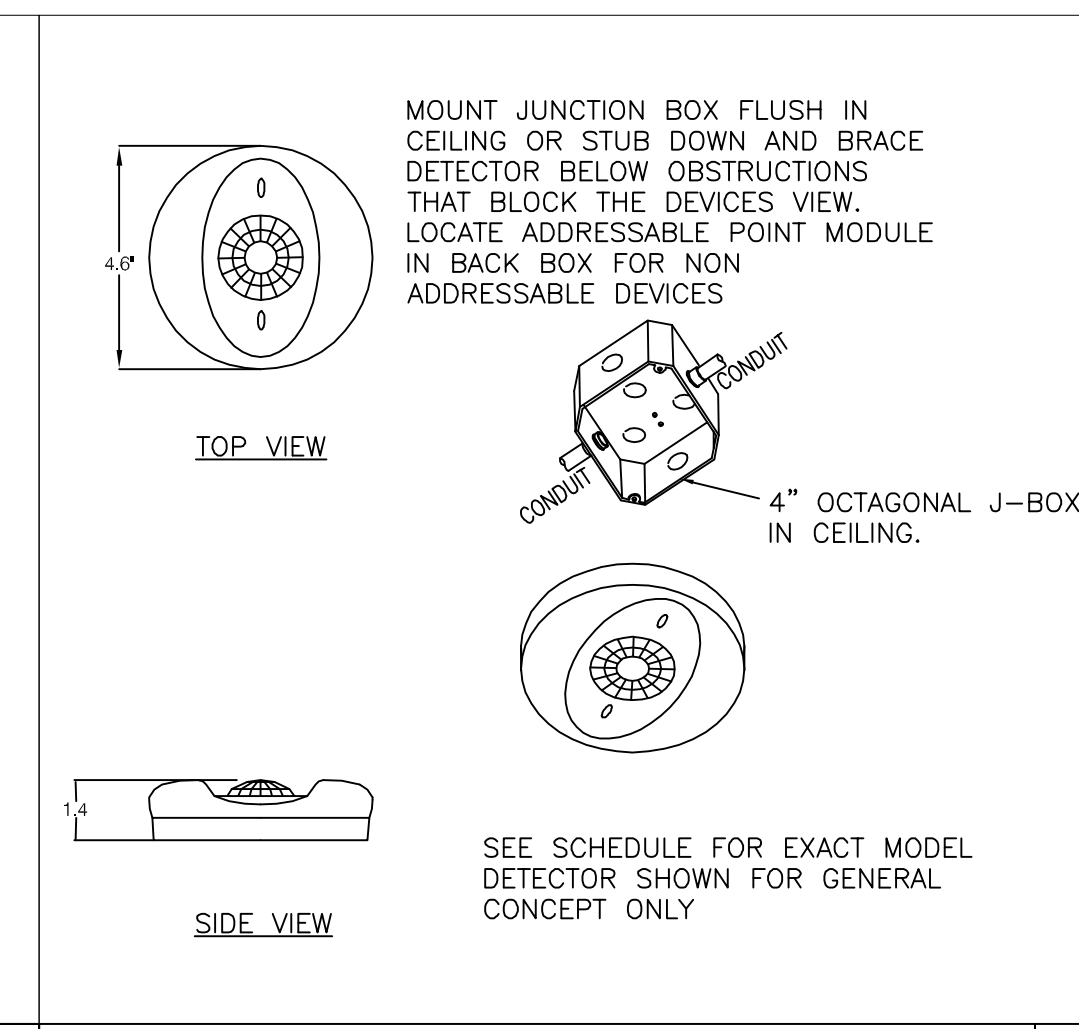
DETAIL OF TOUCH SCREEN KEYPAD  
SCALE: NONE 01



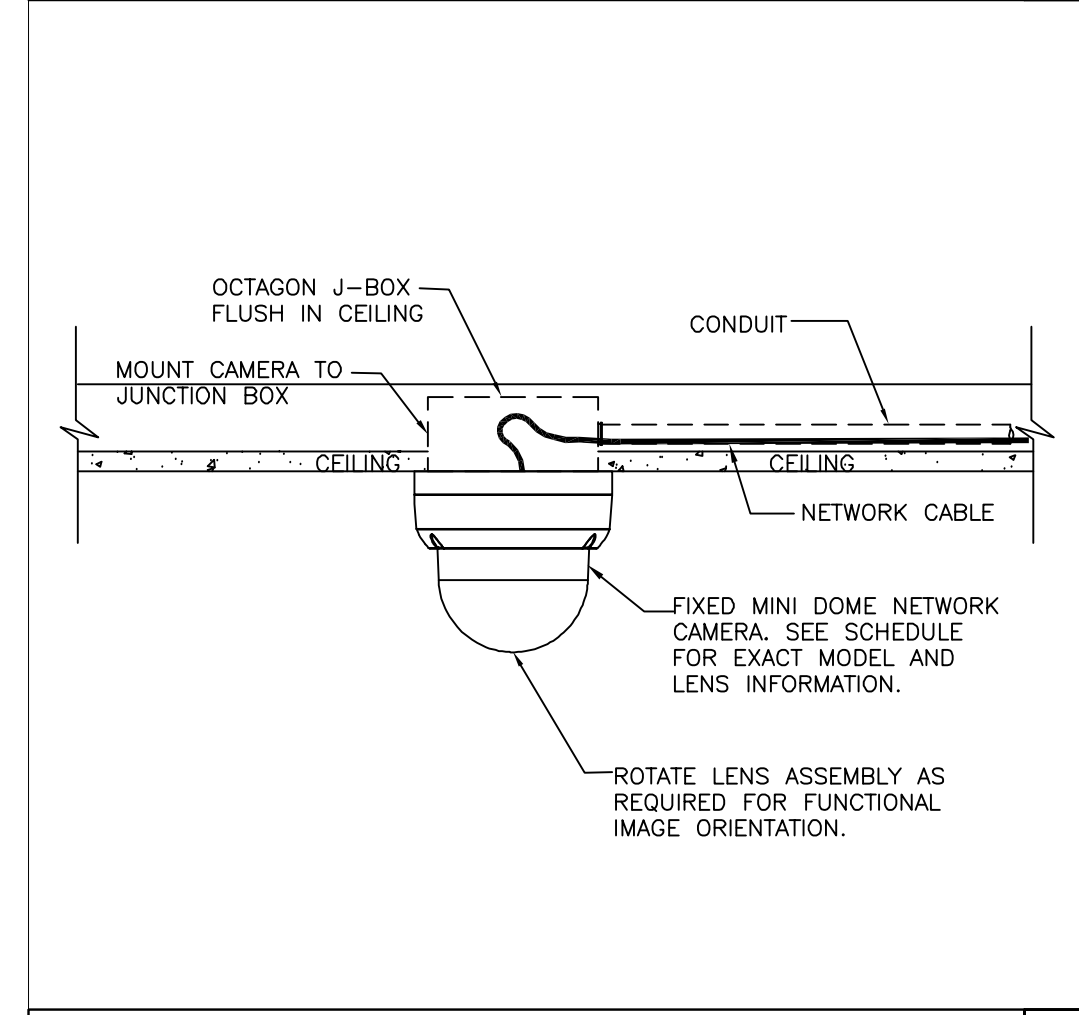
DETAIL OF KEYPAD FOR CLOSETS  
SCALE: NONE 02



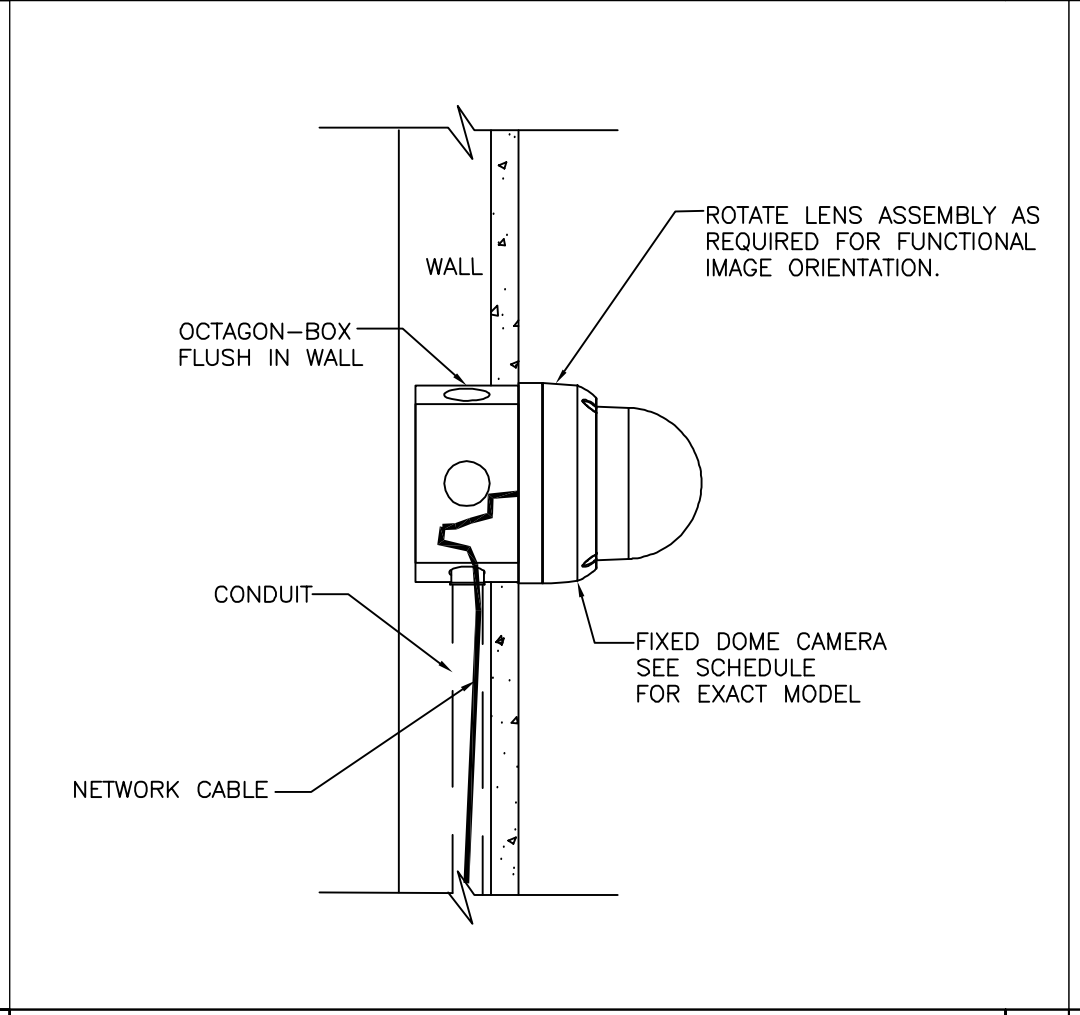
DETAIL OF PANIC BUTTON  
SCALE: NONE 03



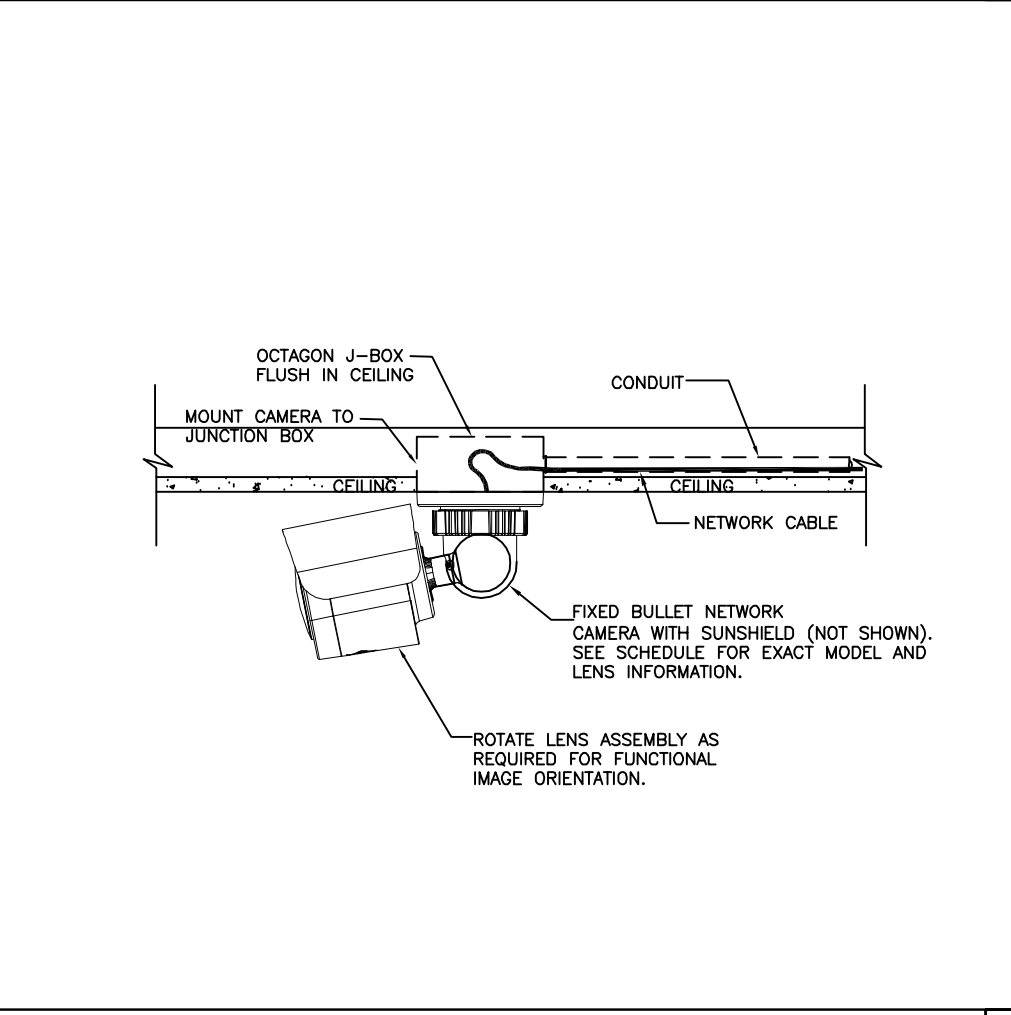
CEILING MOUNTED MOTION DETECTOR  
SCALE: NONE 04



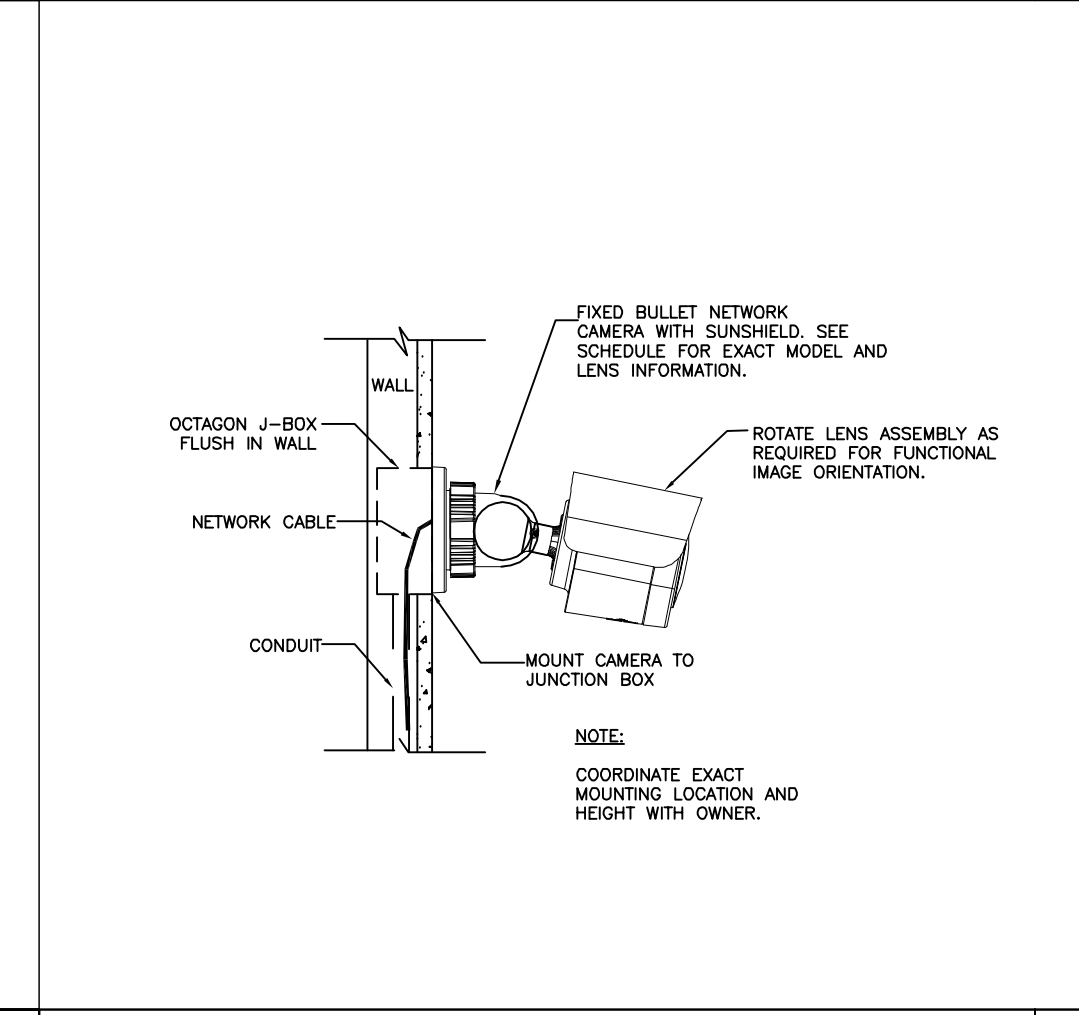
MOUNTING DETAIL OF CEILING MOUNTED FIXED MINI DOME CAMERA  
SCALE: NONE 06



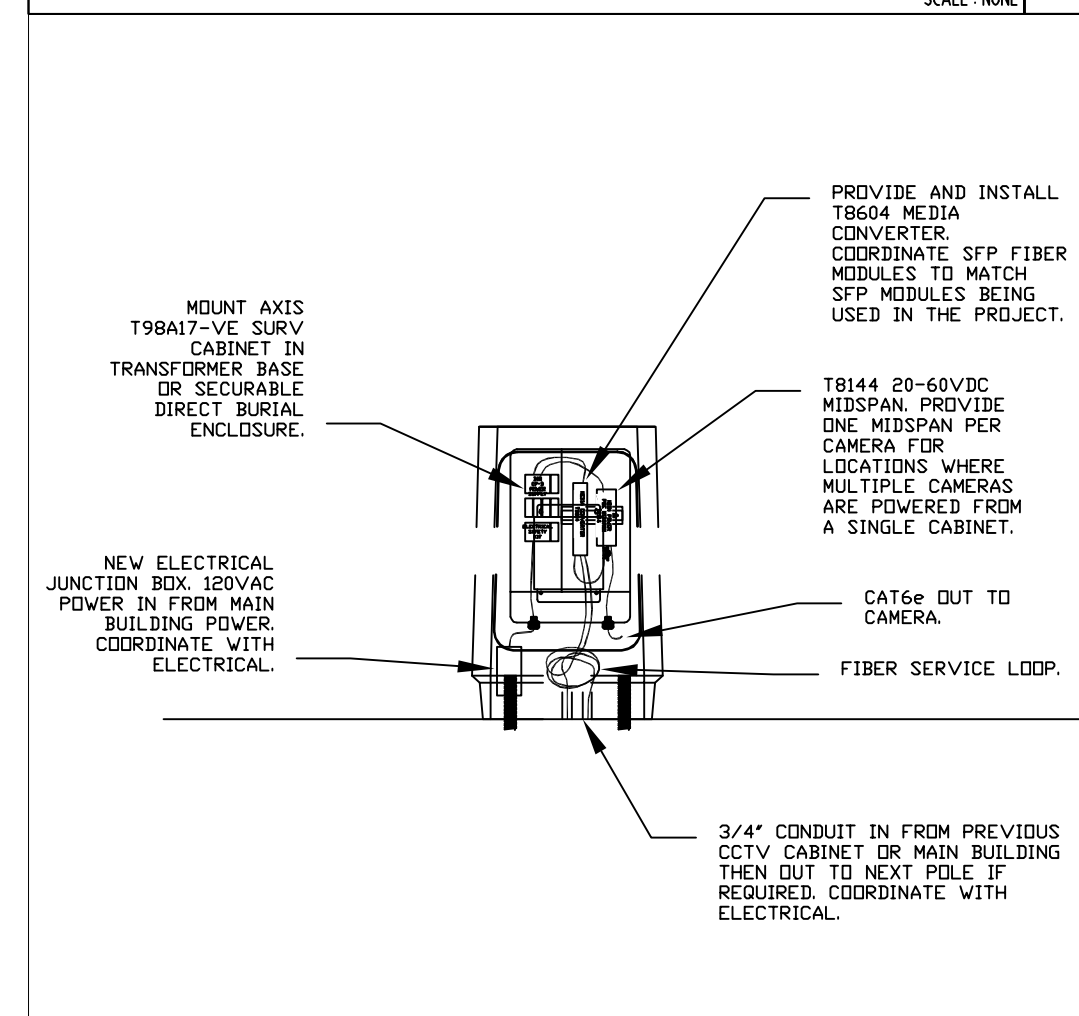
MOUNTING DETAIL OF WALL MOUNTED FIXED MINI DOME CAMERA  
SCALE: NONE 07



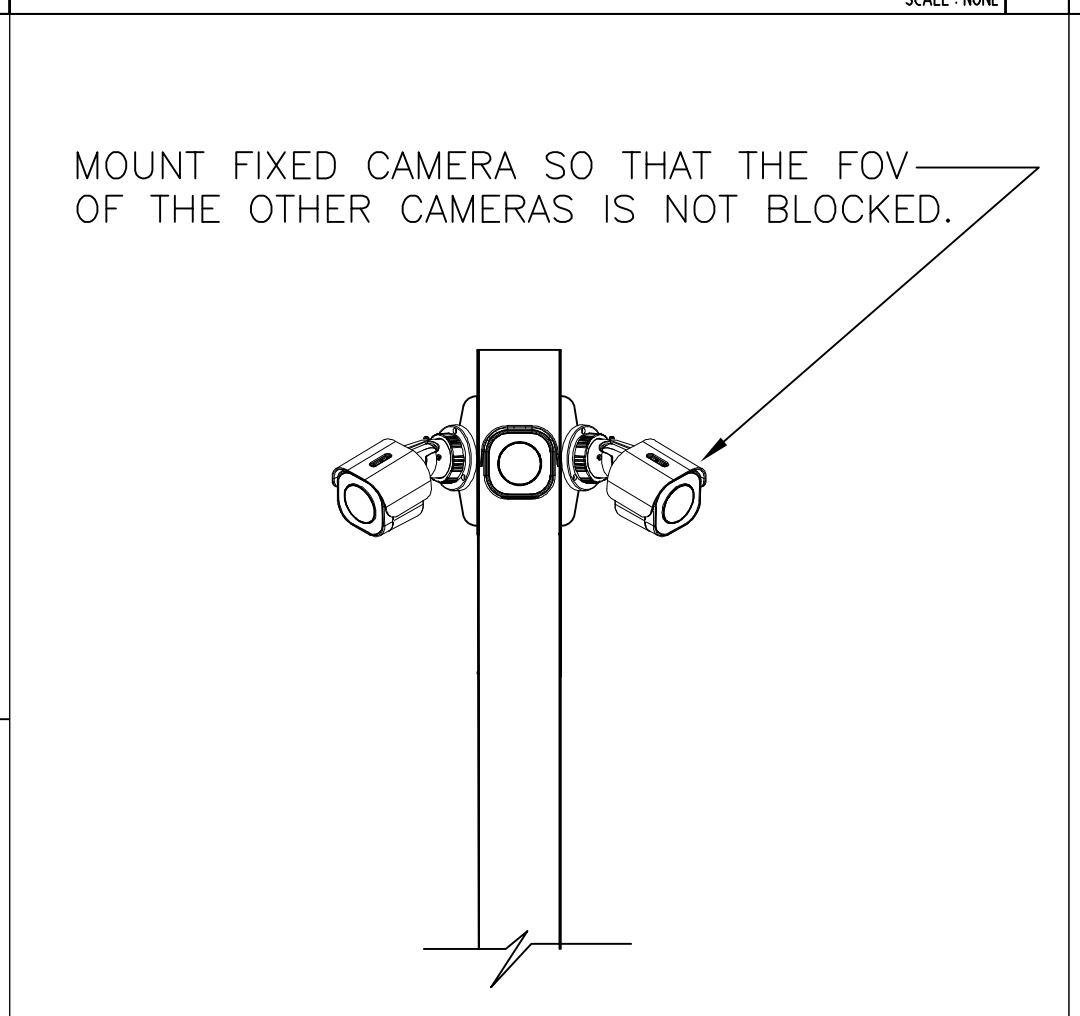
MOUNTING DETAIL OF CEILING MOUNTED MINI DOME CAMERA  
SCALE: NONE 08



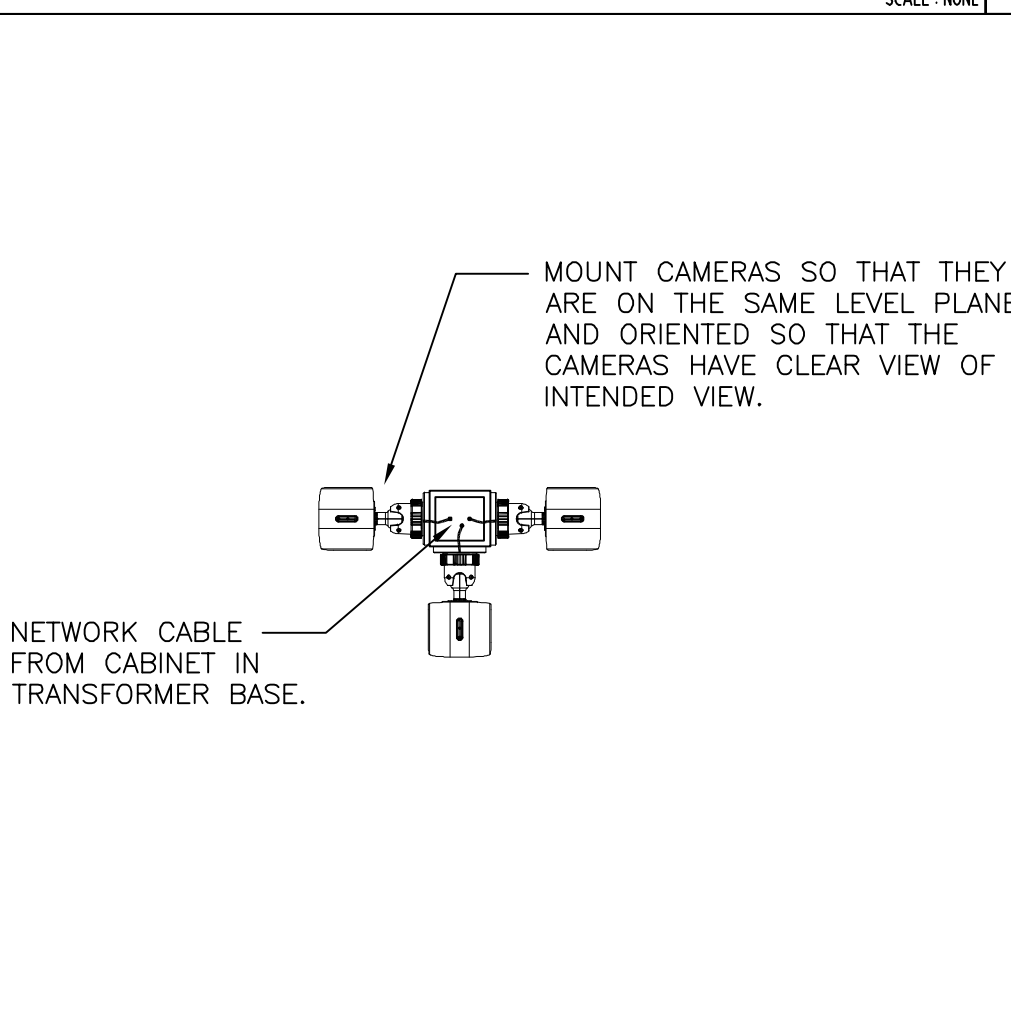
MOUNTING DETAIL OF WALL MOUNTED BULLET CAMERA  
SCALE: NONE 09



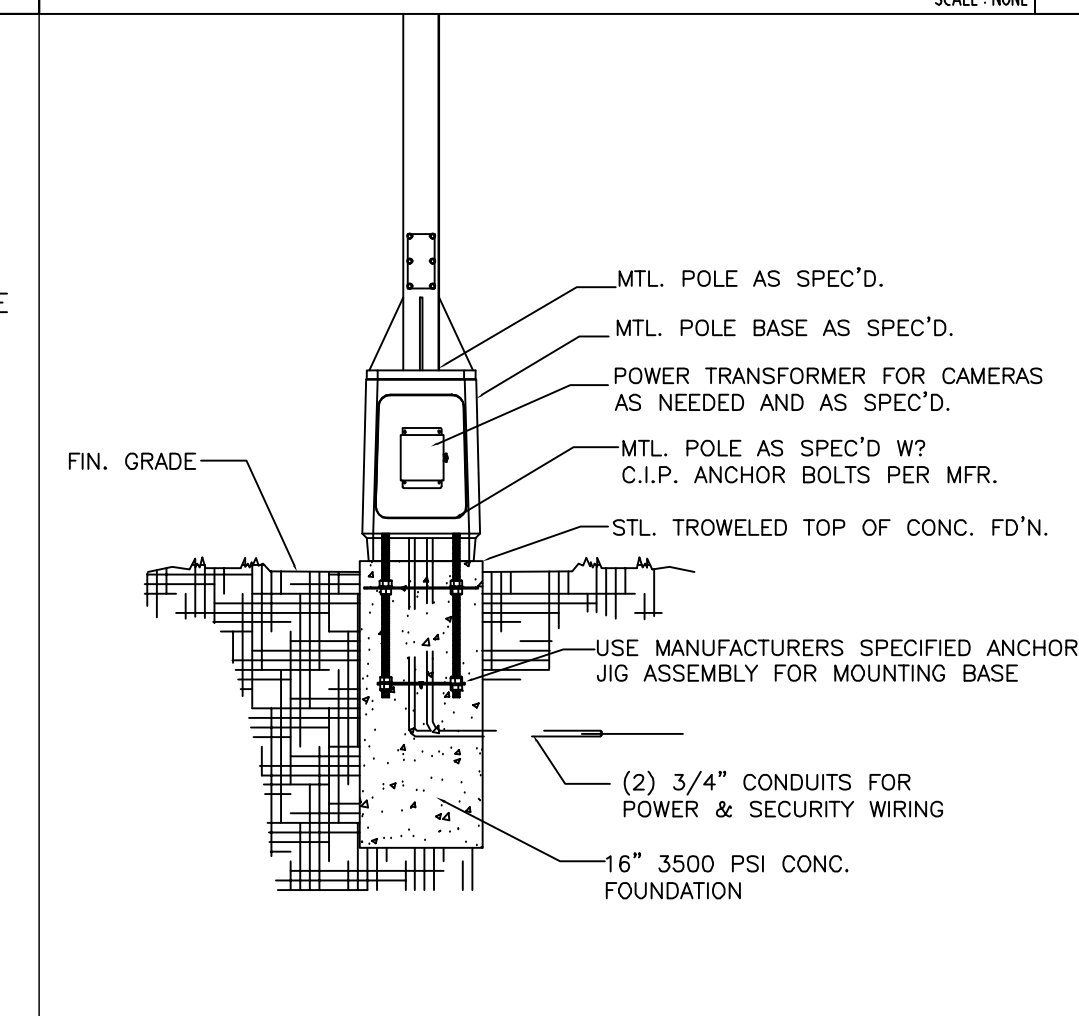
SURVEILLANCE CABINET DETAIL FOR OUTDOOR POLE MOUNTED CAMERAS  
SCALE: NONE 10



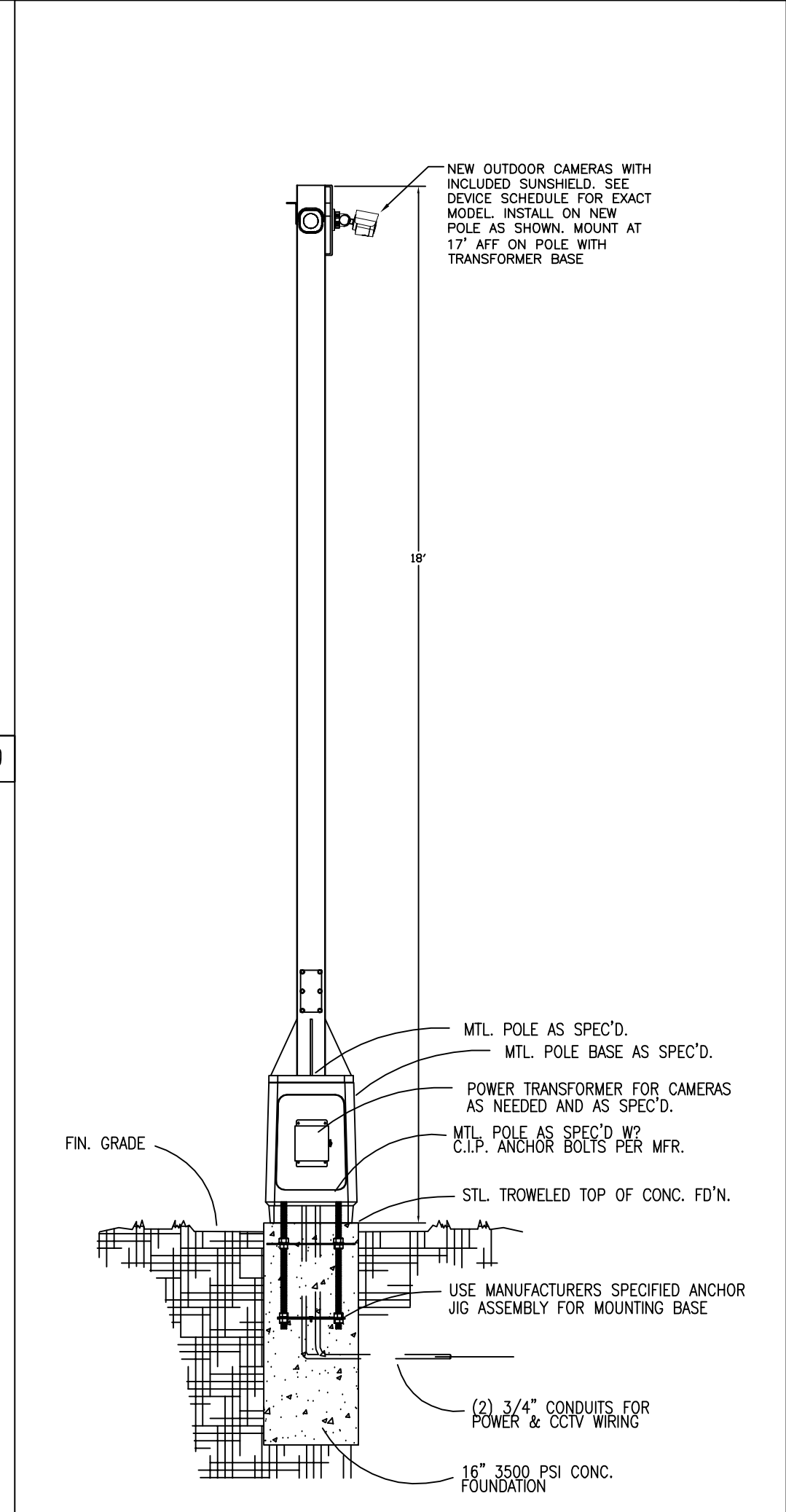
ELEVATION DETAIL OF POLE MOUNTED CAMERAS  
SCALE: NONE 11



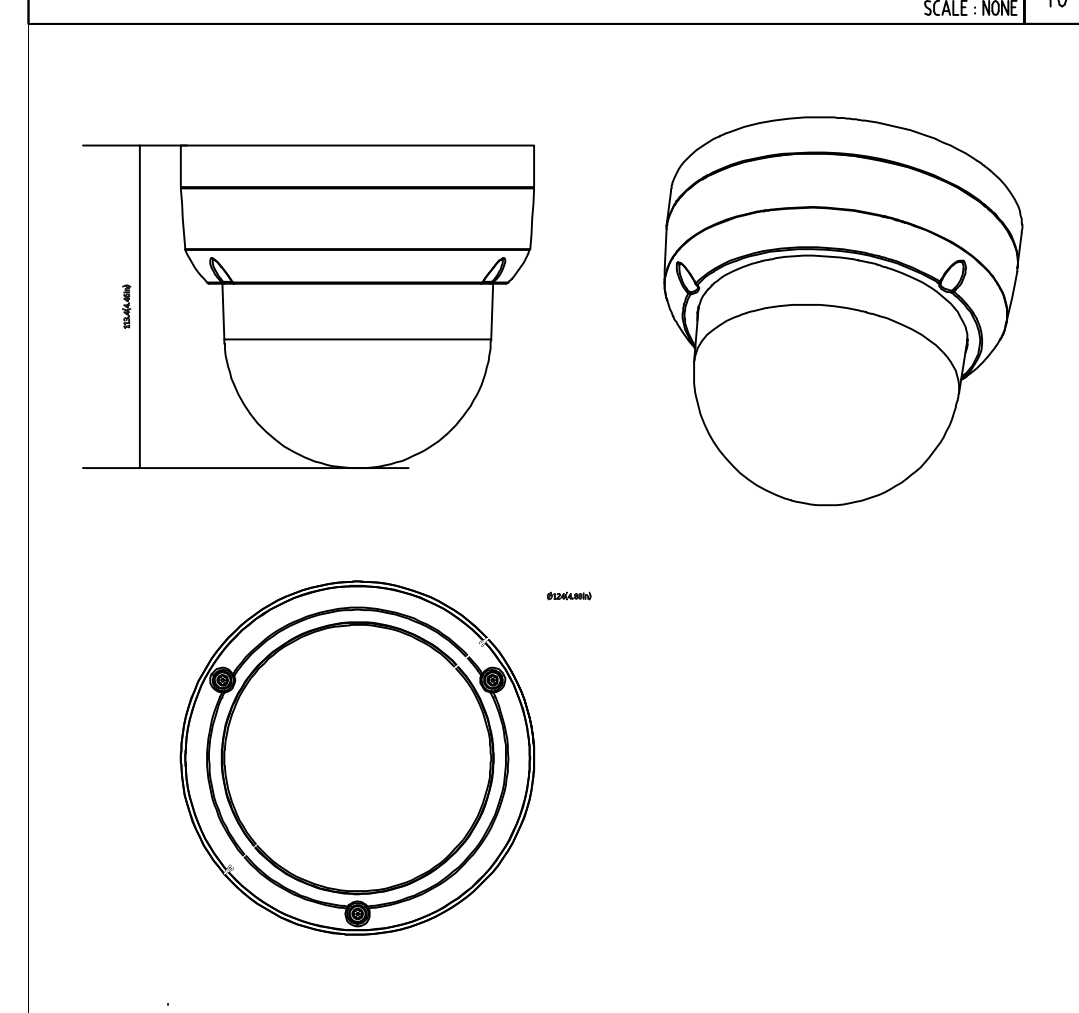
PLAN VIEW DETAIL OF POLE MOUNTED CAMERAS  
SCALE: NONE 12



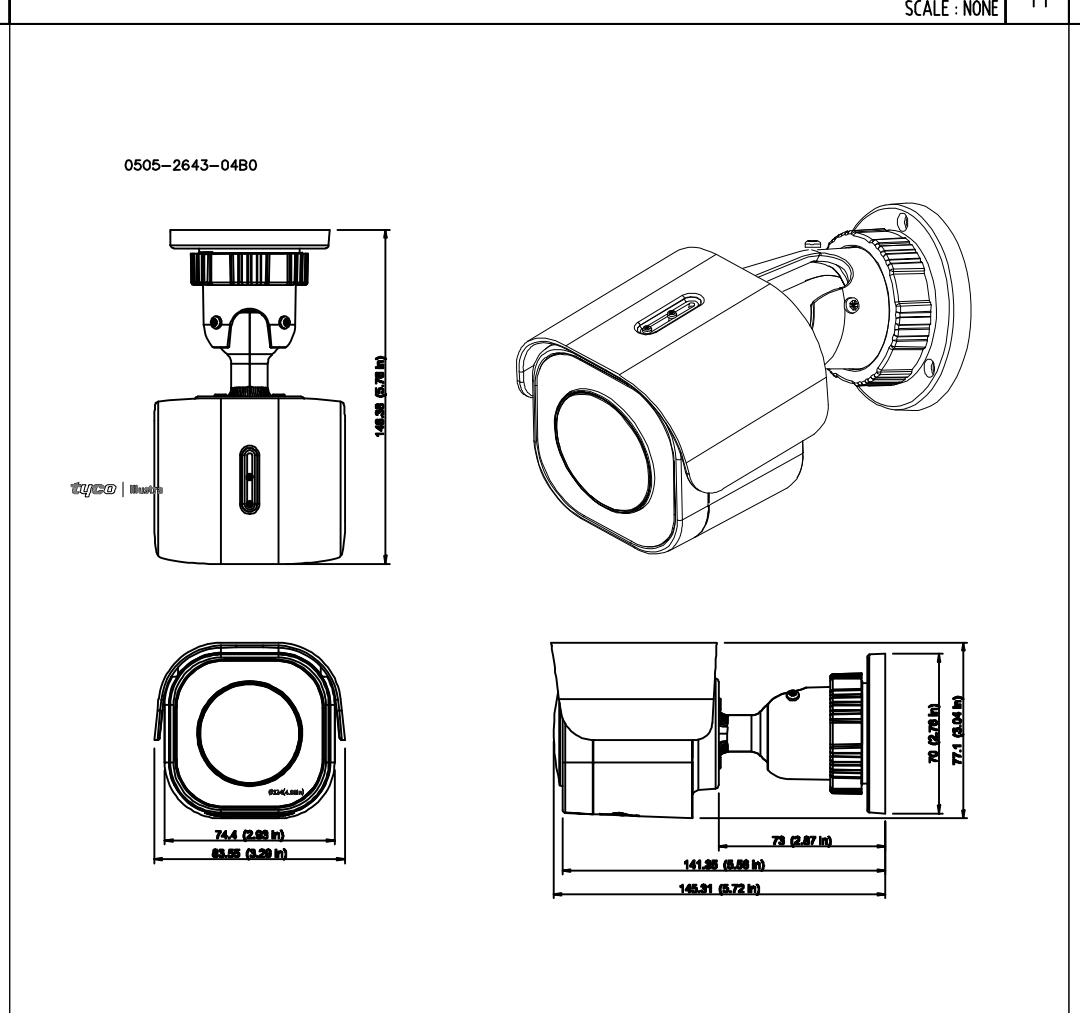
CAMERA POLE WITH TRANSFORMER BASE MOUNTING DETAIL  
SCALE: NONE 13



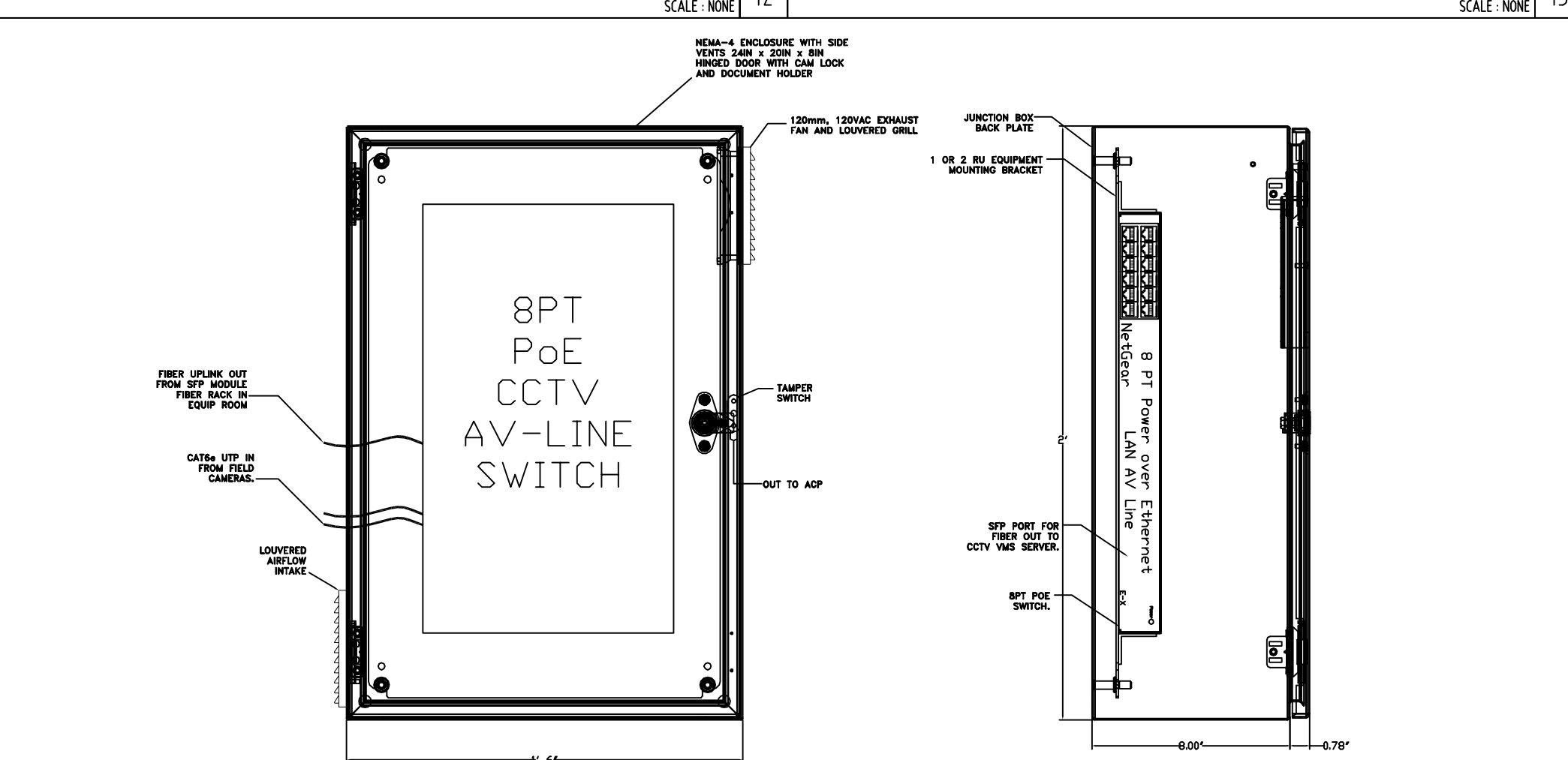
SCALE: NONE 14



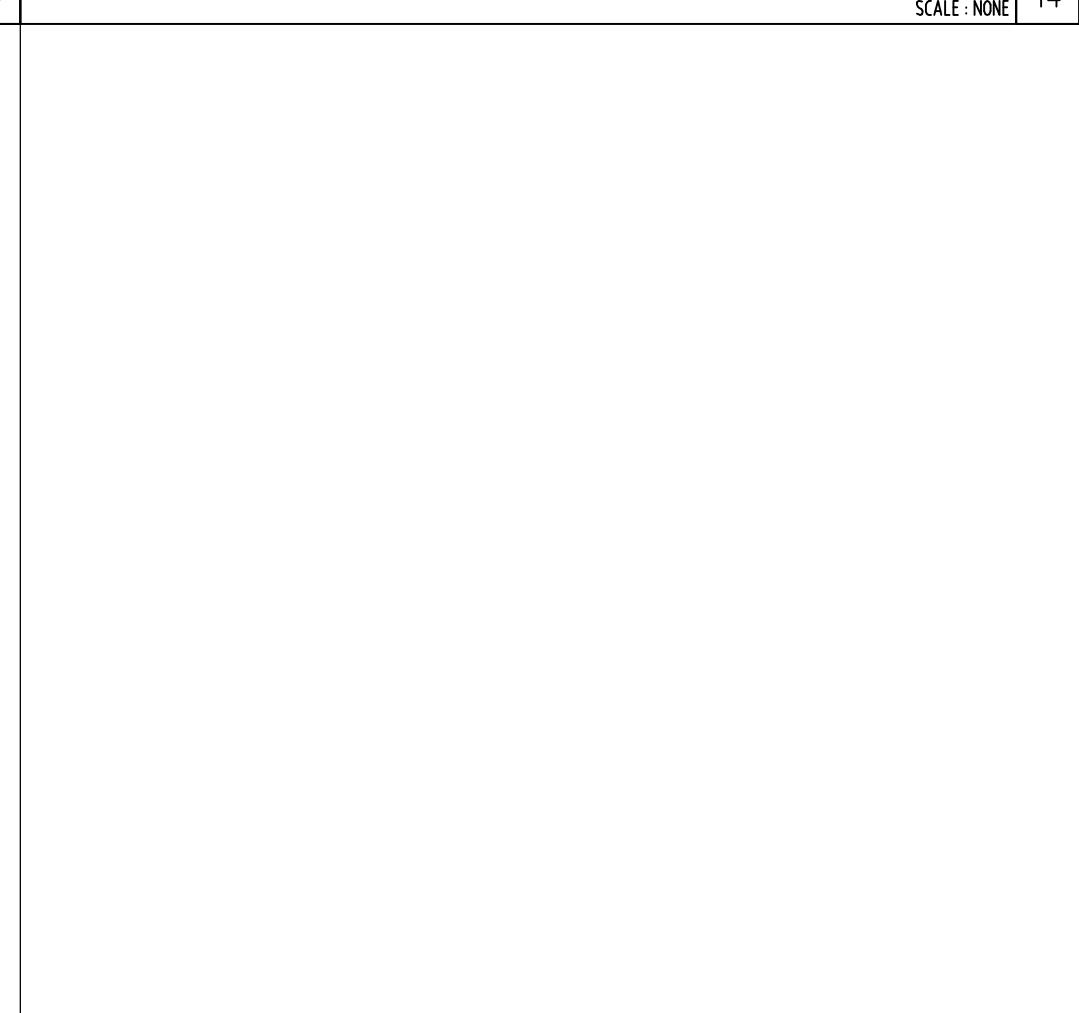
FIXED MINI DOME CAMERA DETAIL  
SCALE: NONE 17



FIXED BULLET CAMERA DETAIL  
SCALE: NONE 16



DETAIL OF POE FIELD PANEL  
SCALE: NONE 17



SCALE: NONE 18

**Owner**

Storm King Art Center  
1 Museum Road  
New Windsor, NY 12553  
+1 (845) 534-3115

**Design Architect**

Heneghan Peng Architects  
14-16 Lord Edward Street  
Dublin, D02 YC63  
+353 1 633 9000

**Executive Architect**

WXY Architecture + Urban Design  
224 Centre Street, 5th Floor  
New York, NY 10013  
+1 (212) 219-1953

**Landscape Architect**

Gustafson Porter + Bowman  
1 Cobham Mews  
London, MW1 9SB, UK  
+44 020 7284 8950

**Structural & Lighting**

ARUP  
77 Water Street  
New York, NY 10005  
+1 (212) 896-3000

**MEP/FP & Sustainability**

BuroHappold  
100 Broadway #23  
New York, NY 10005  
+1 (212) 616-0228

**Civil**

VHB  
100 Great Oaks Blvd., Suite 118  
Albany, NY 12203  
+1 (518) 389-3606

**Key Plan**

Description	Date
50% Design Development	11/06/20

**Project**

# Storm King Art Center Administration Building

1 Museum Road  
New Windsor, NY 12553

**Seal**

**NOT FOR CONSTRUCTION**

Drawing Title

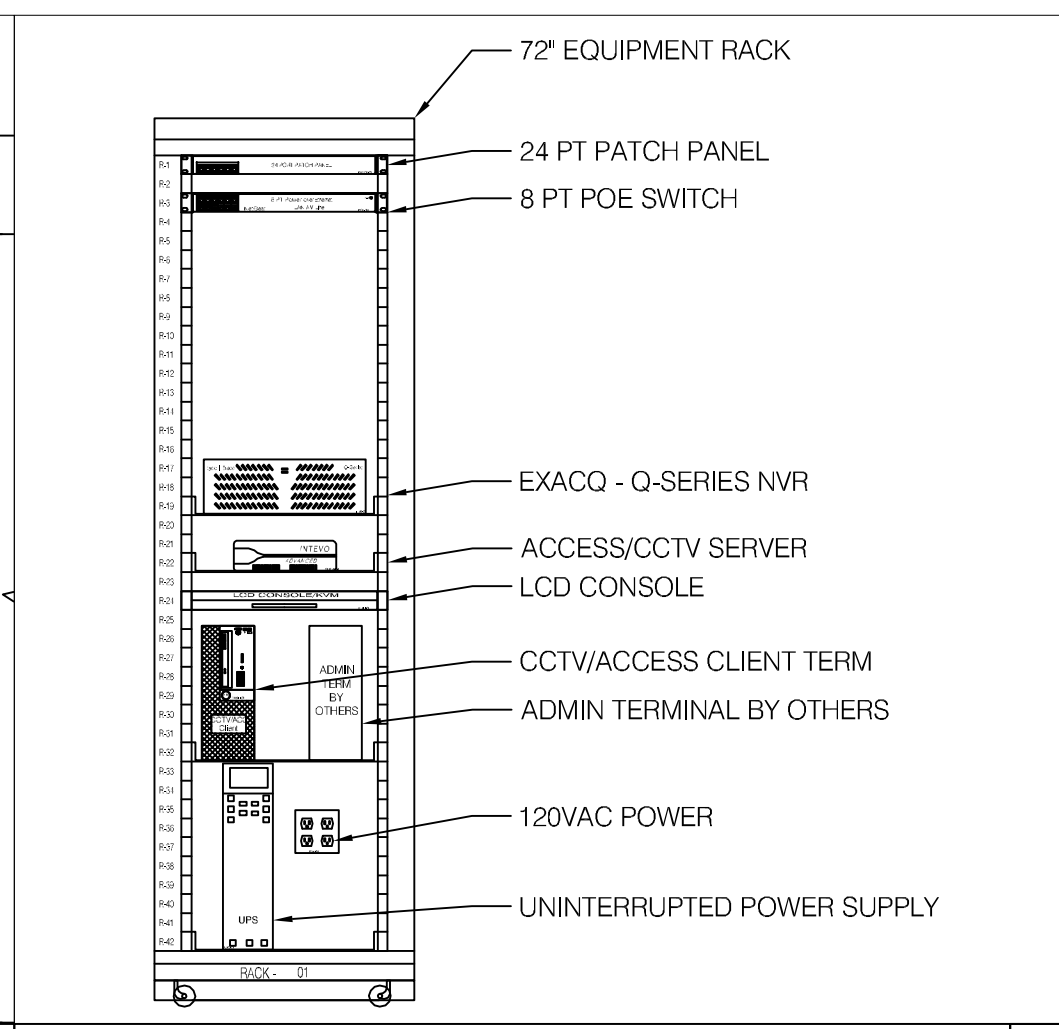
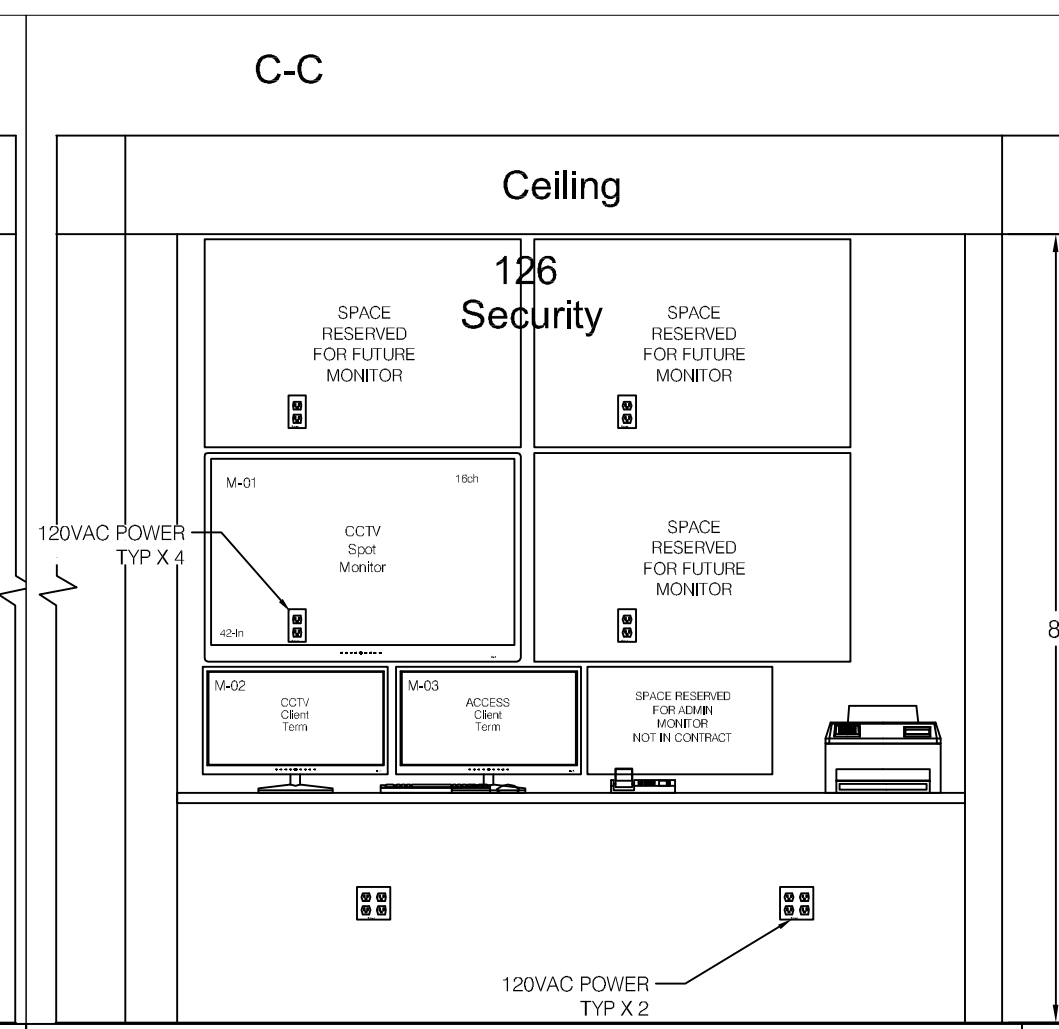
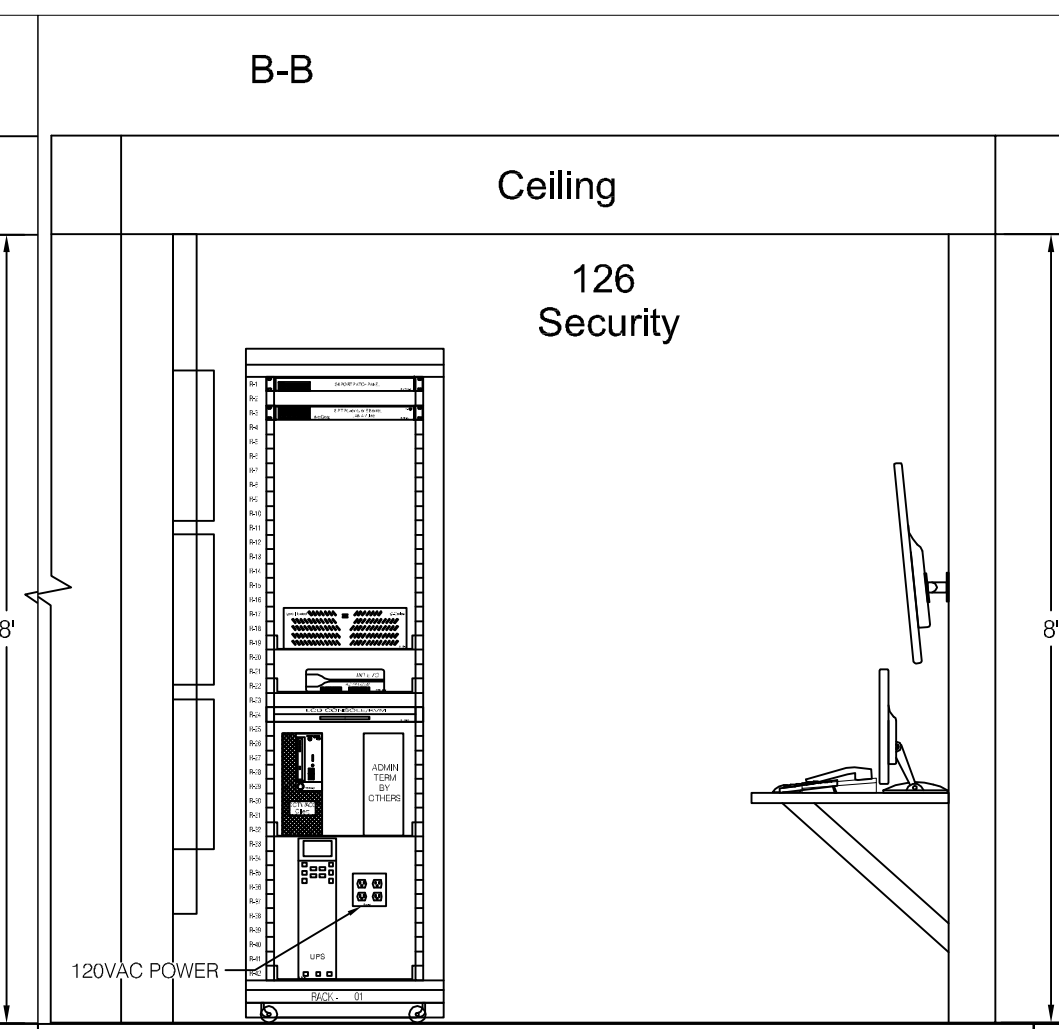
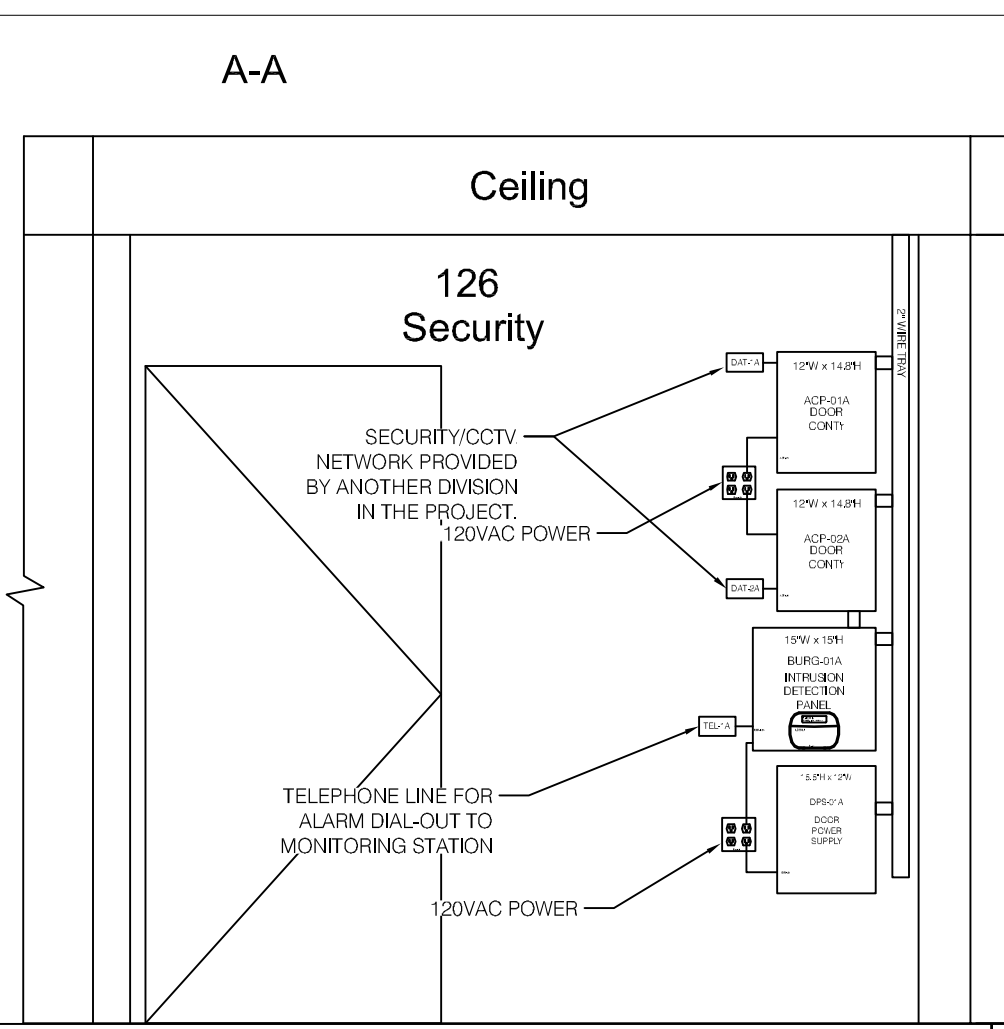
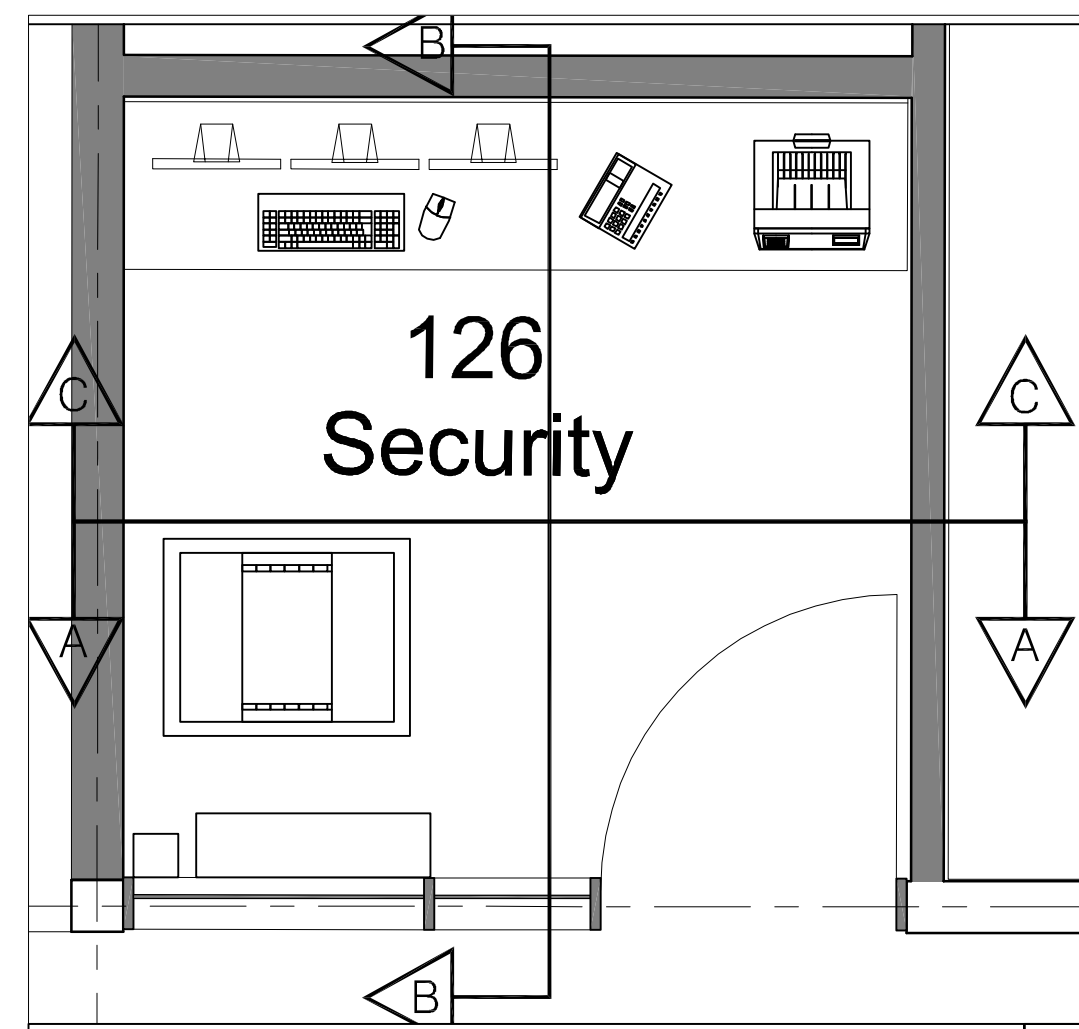
## Details Security & CCTV System

Date 06/29/20

Scale N.T.S.

Drawing Number SC-A-201

Sheet Size ARCH D



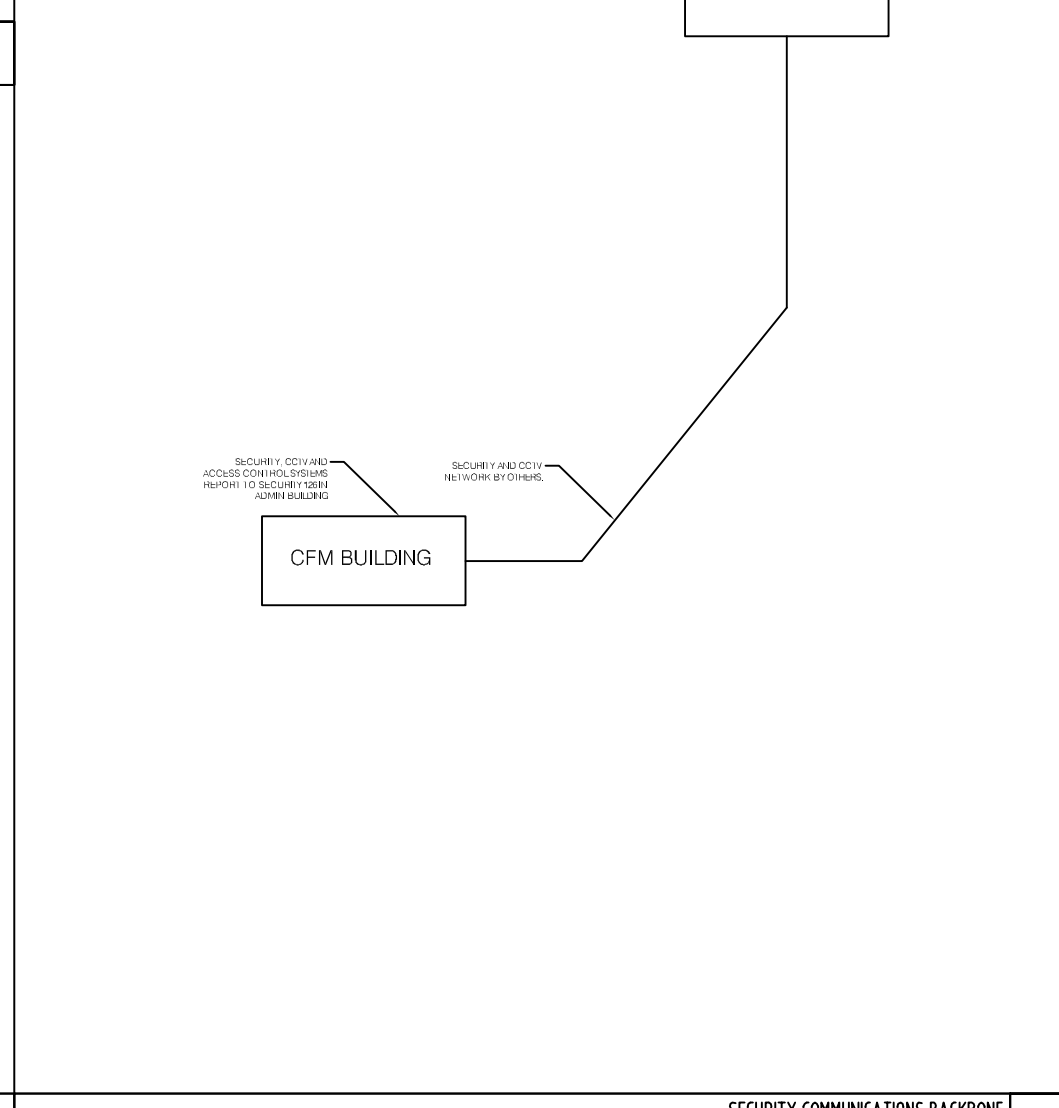
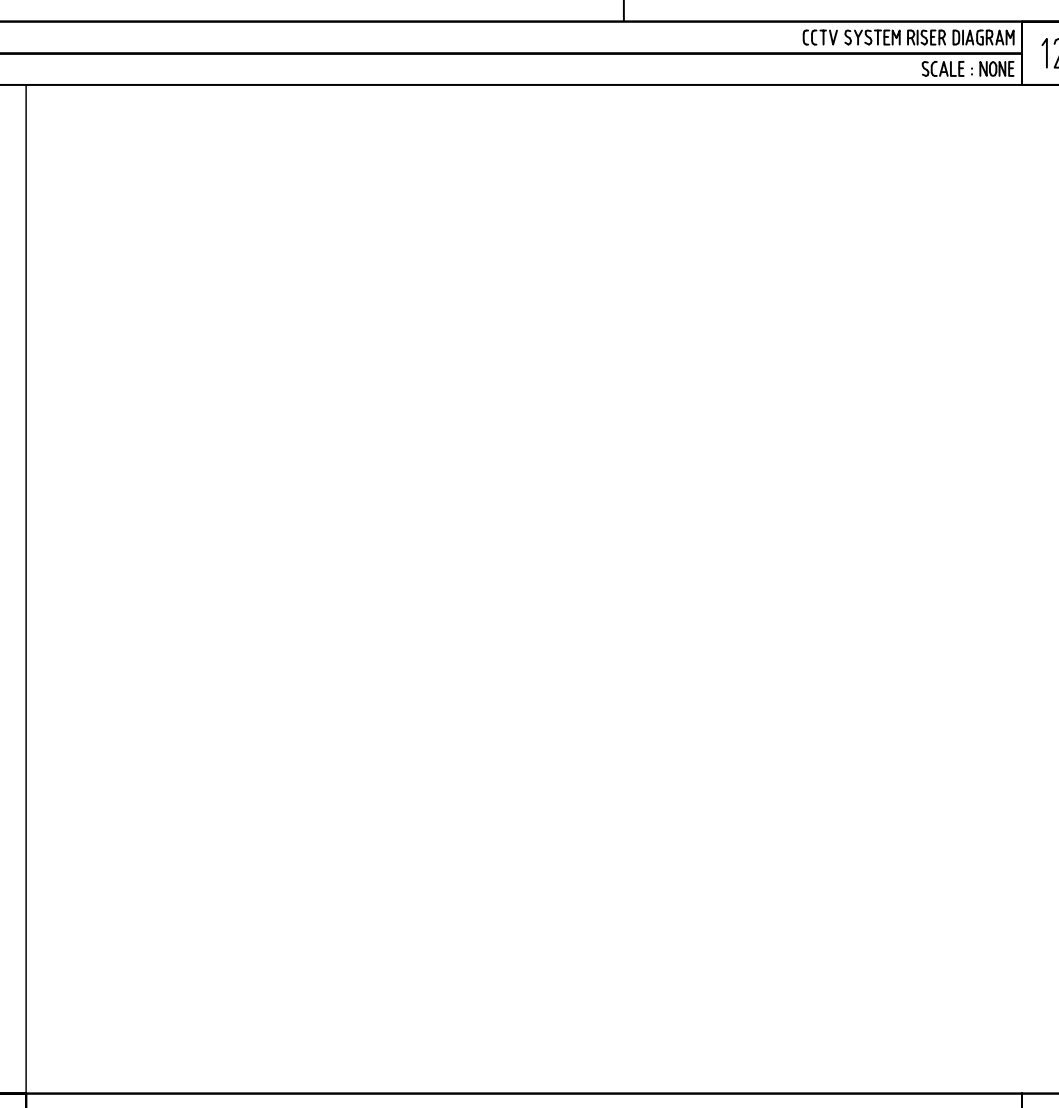
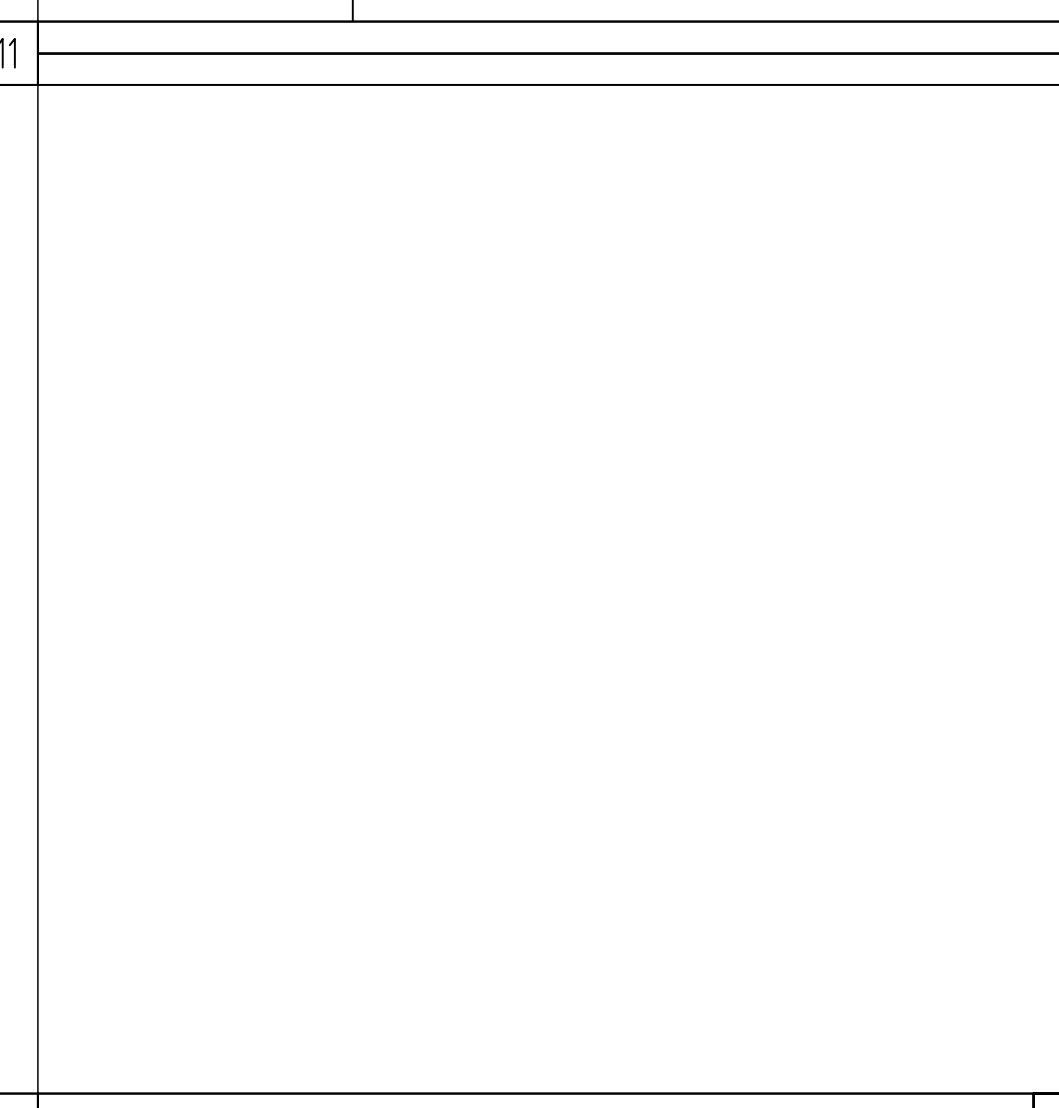
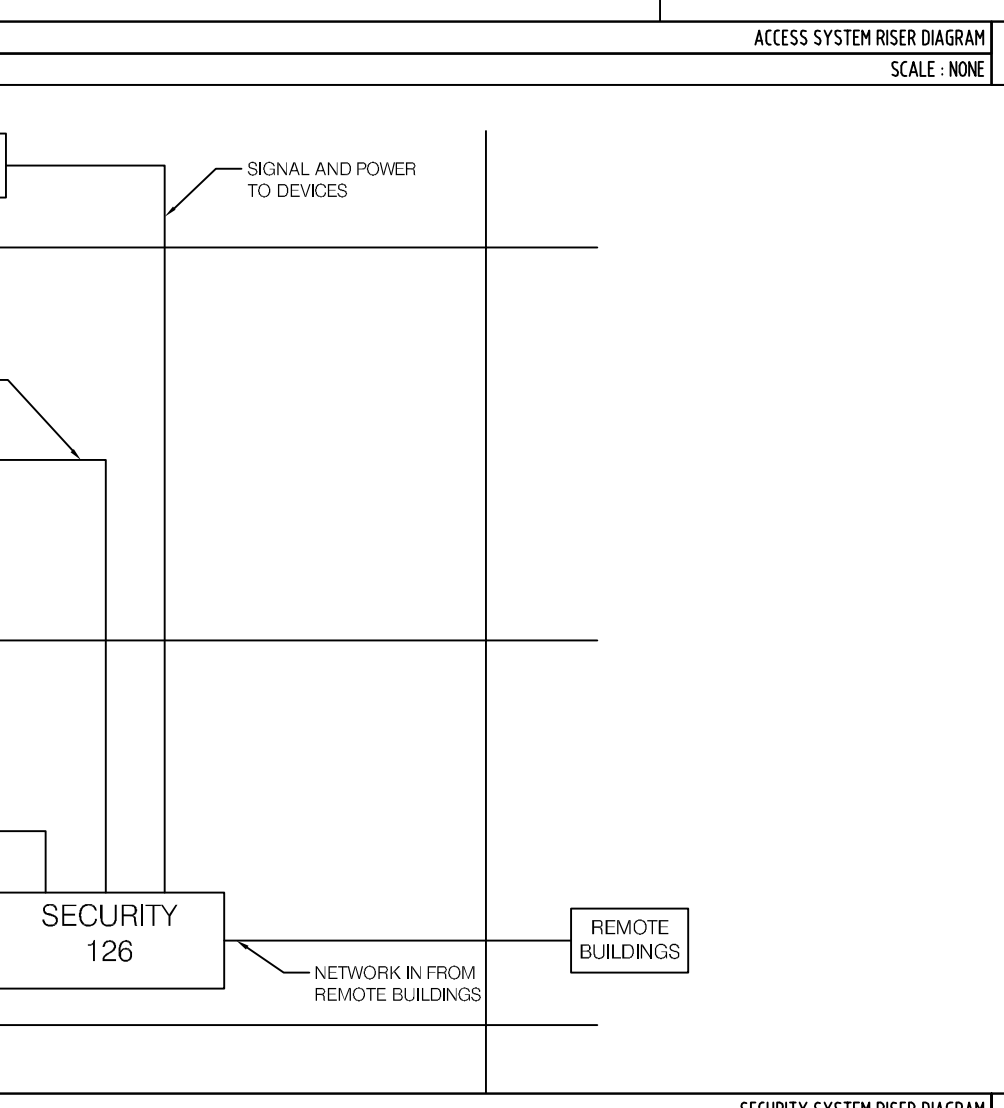
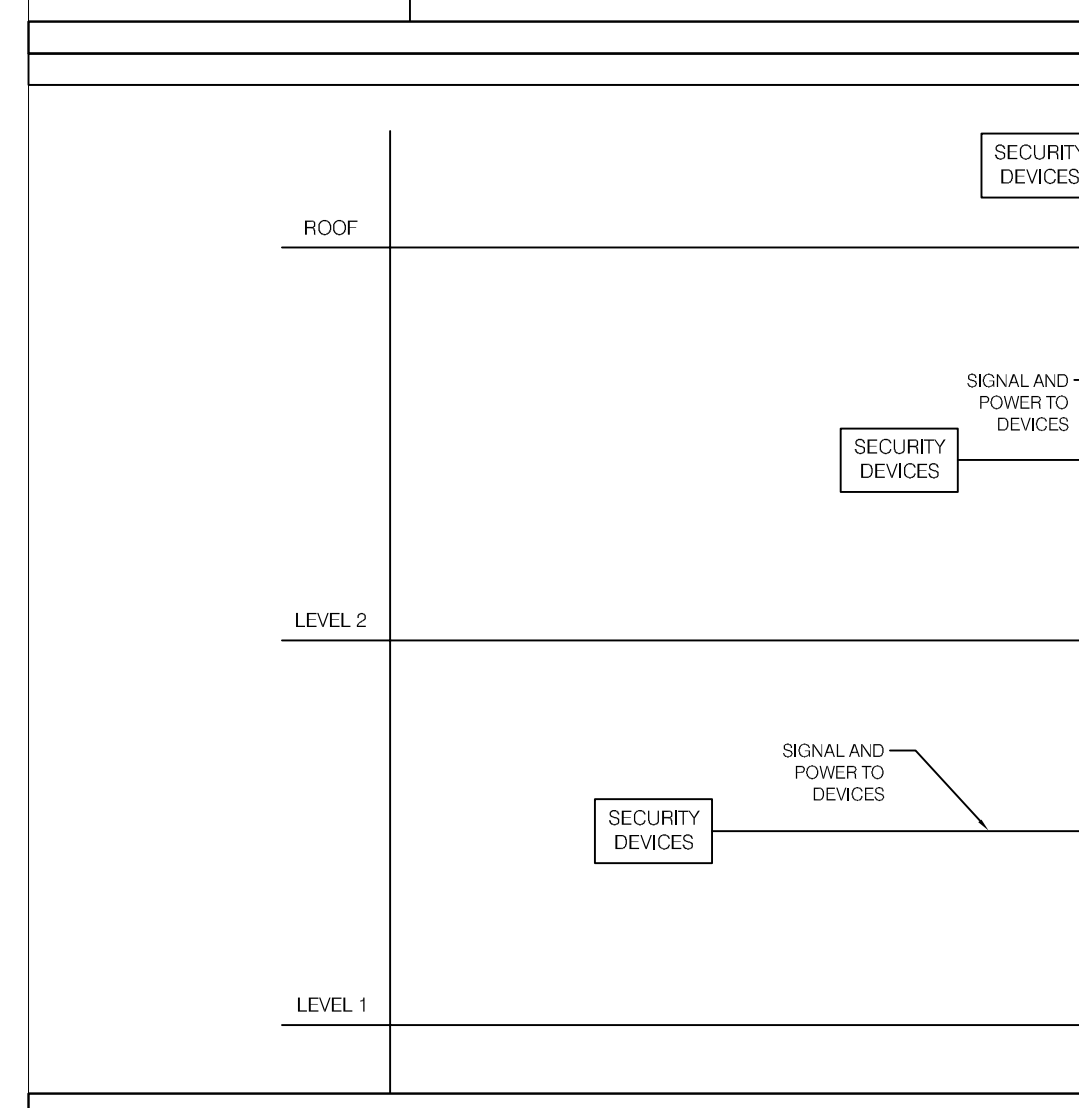
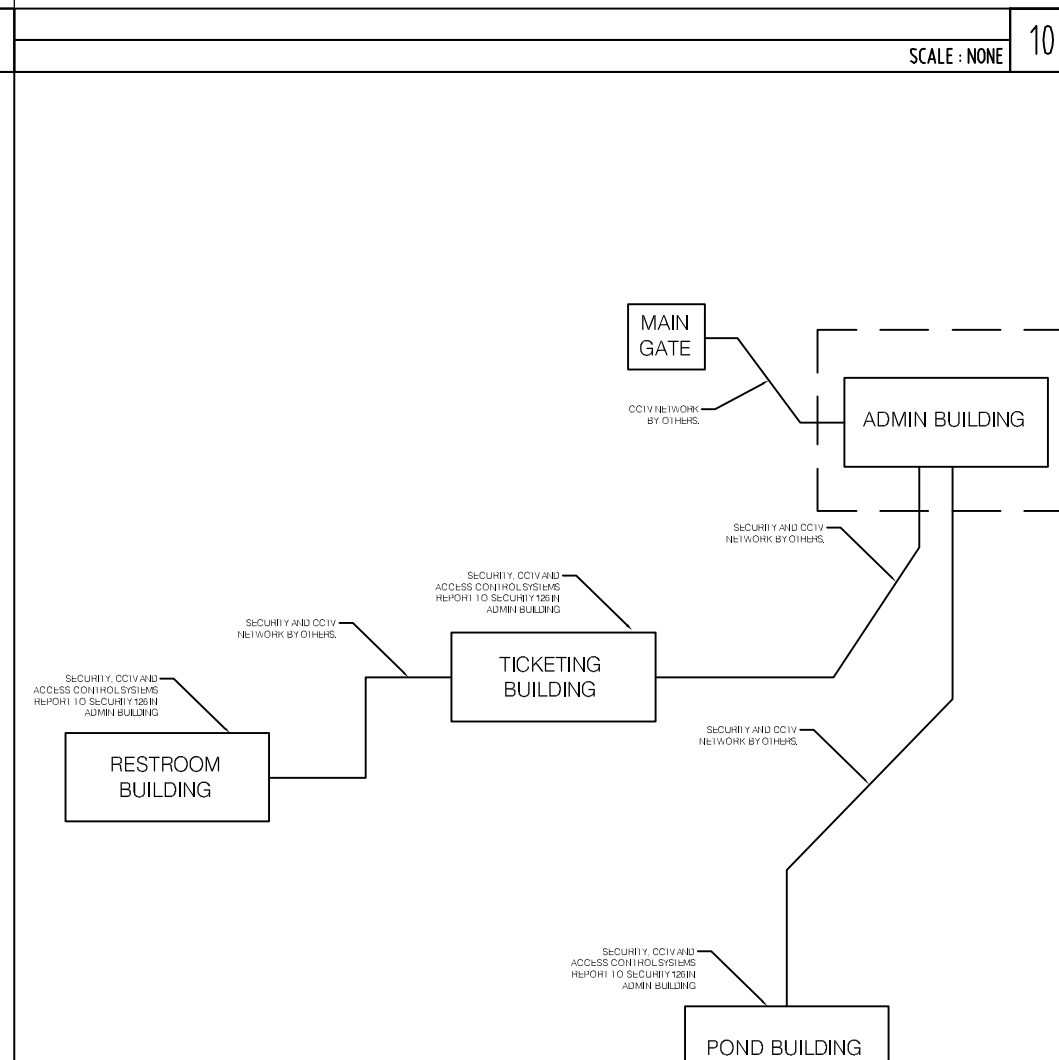
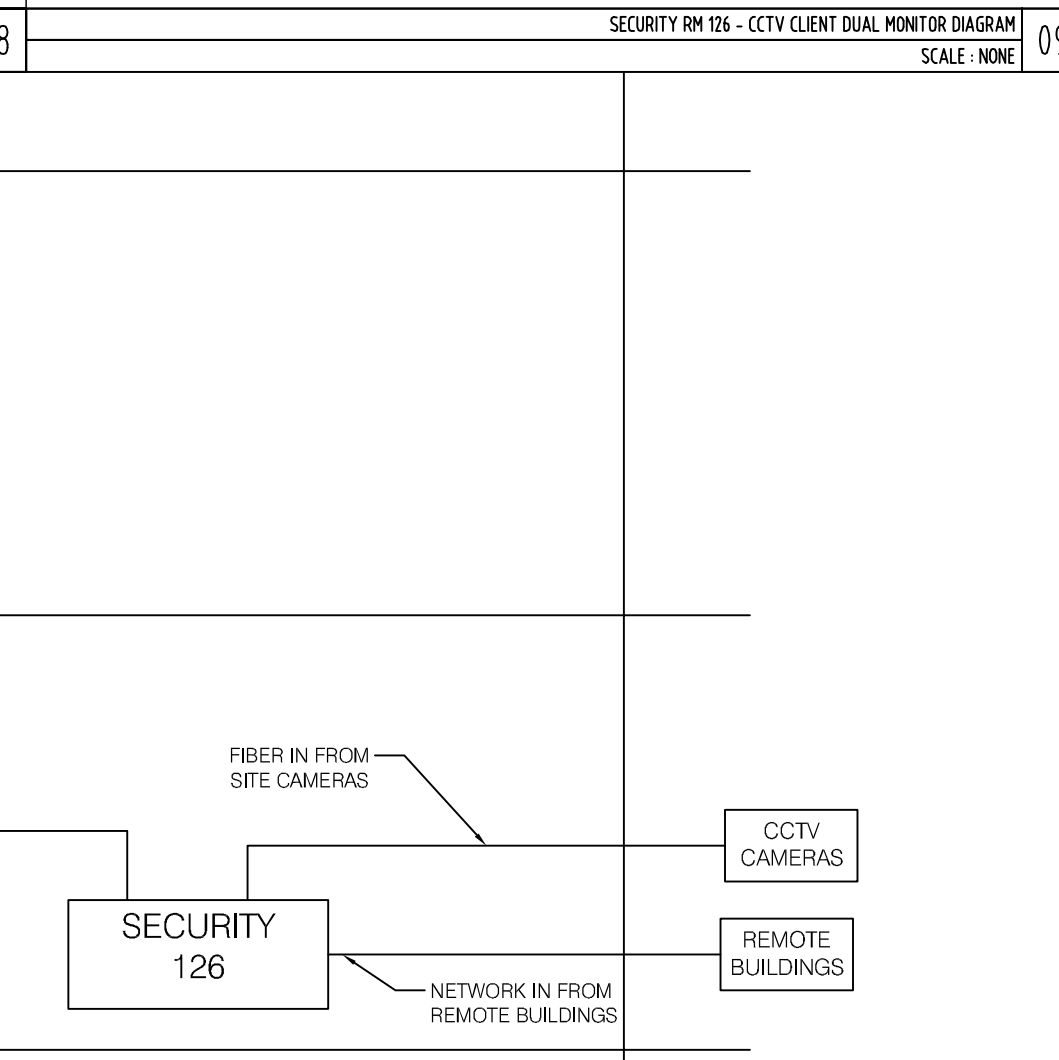
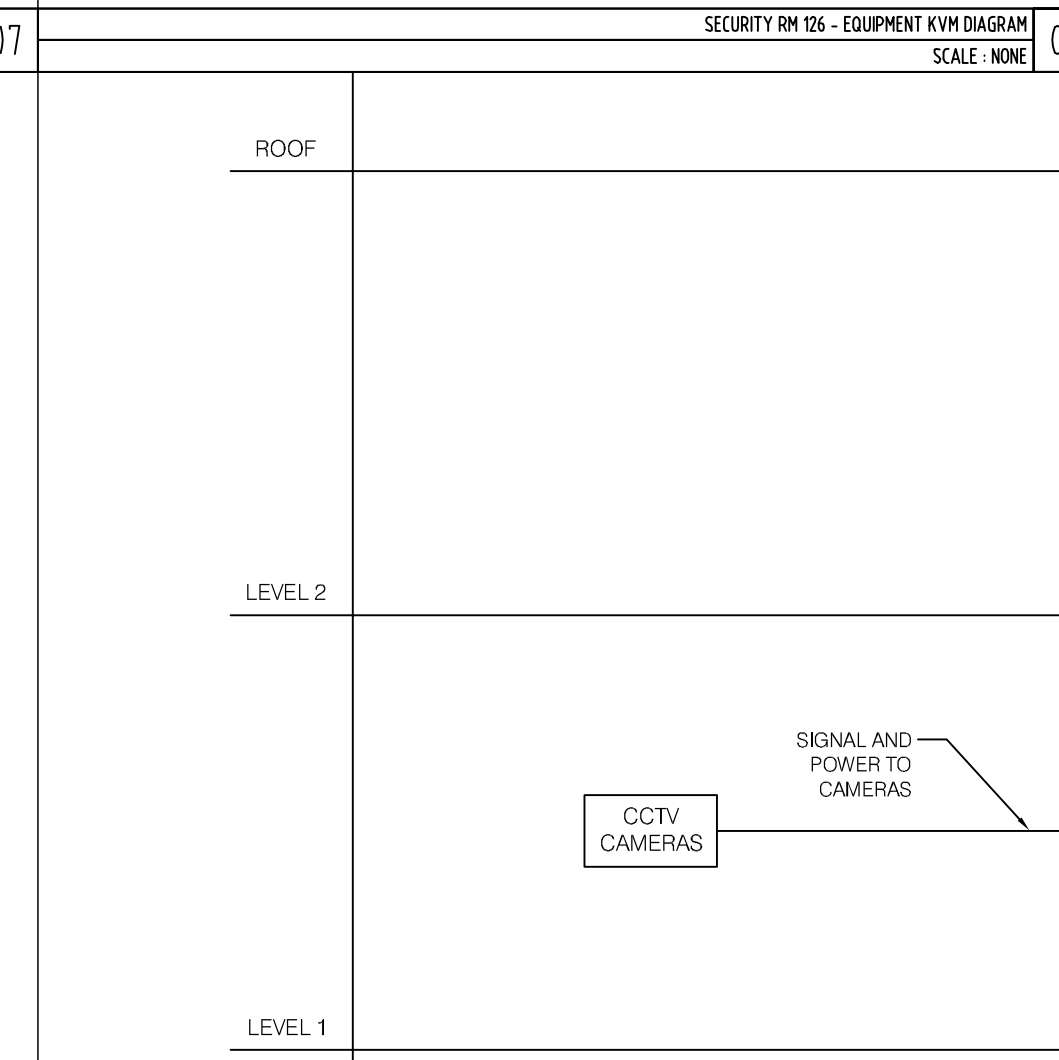
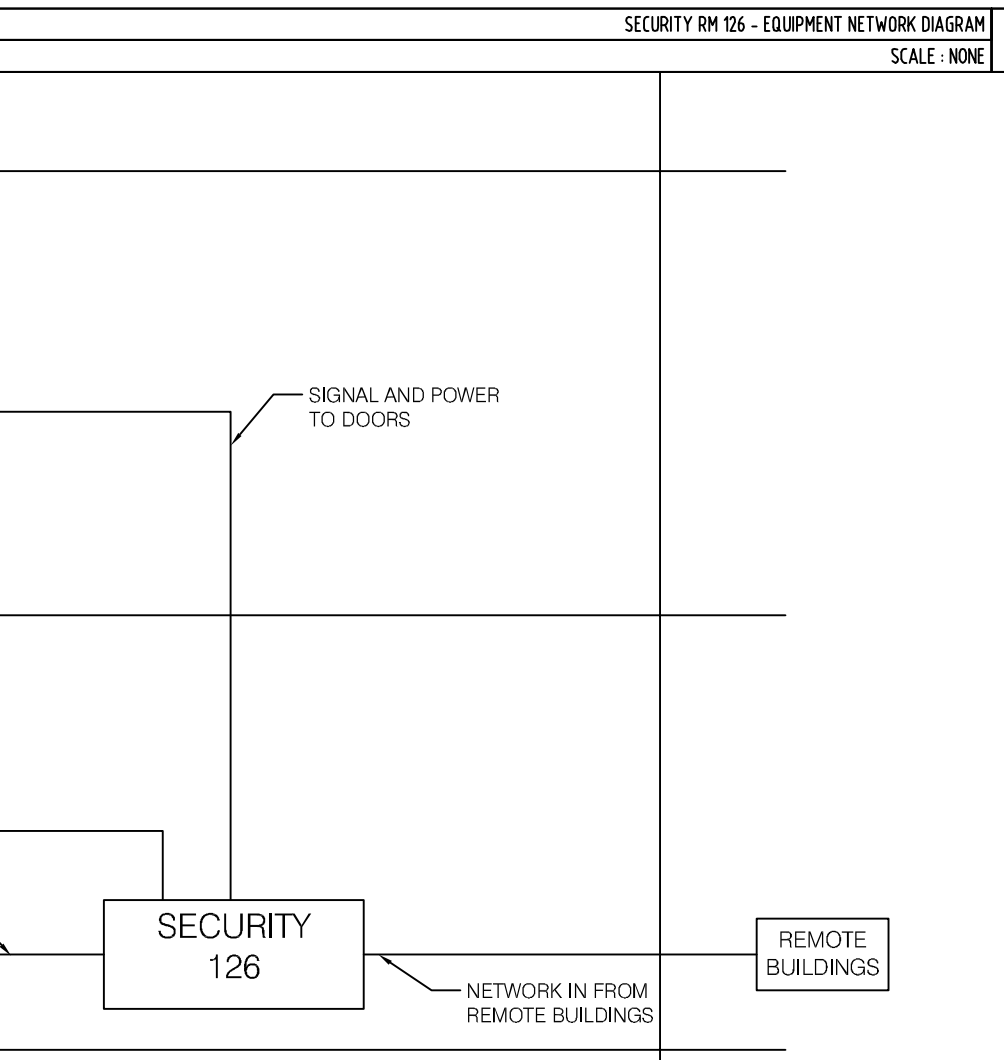
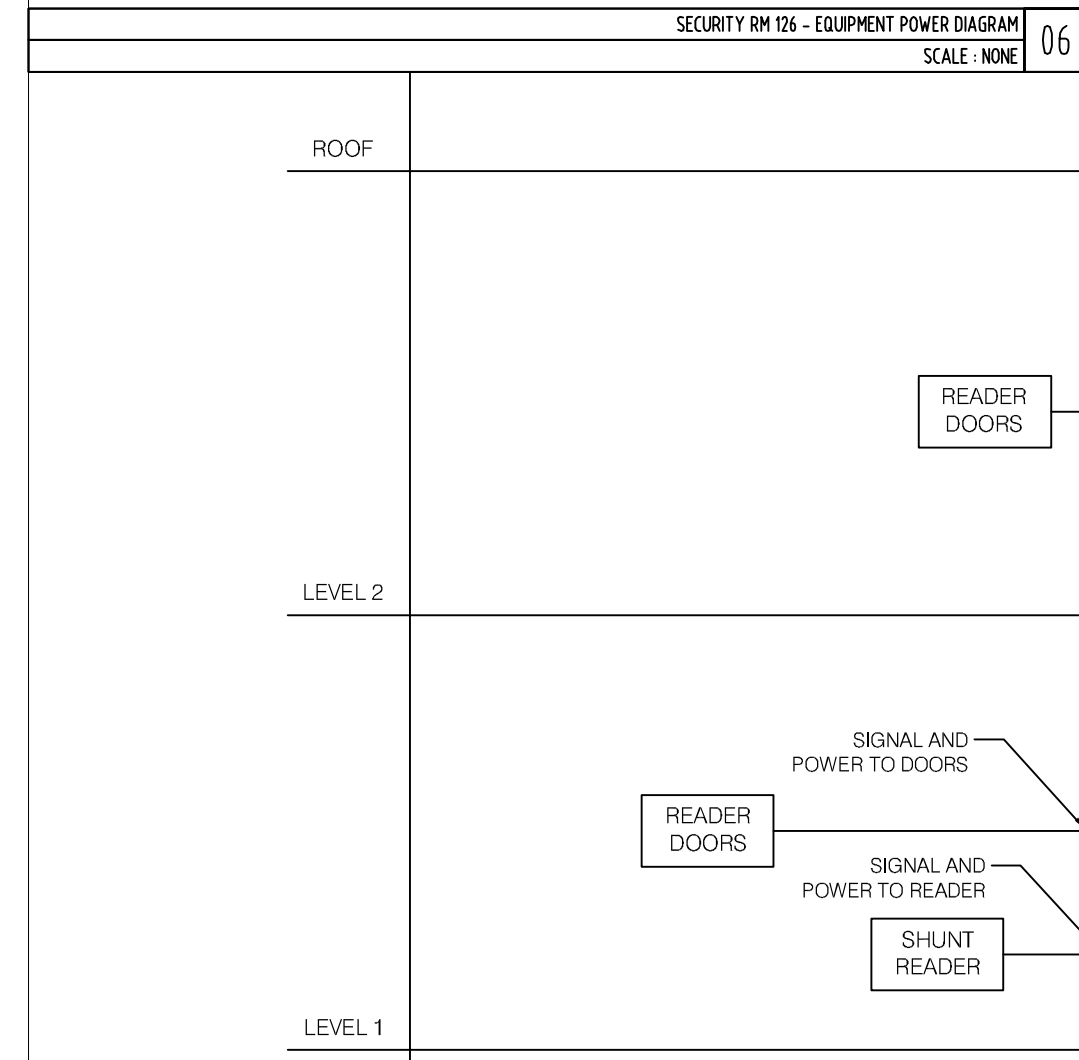
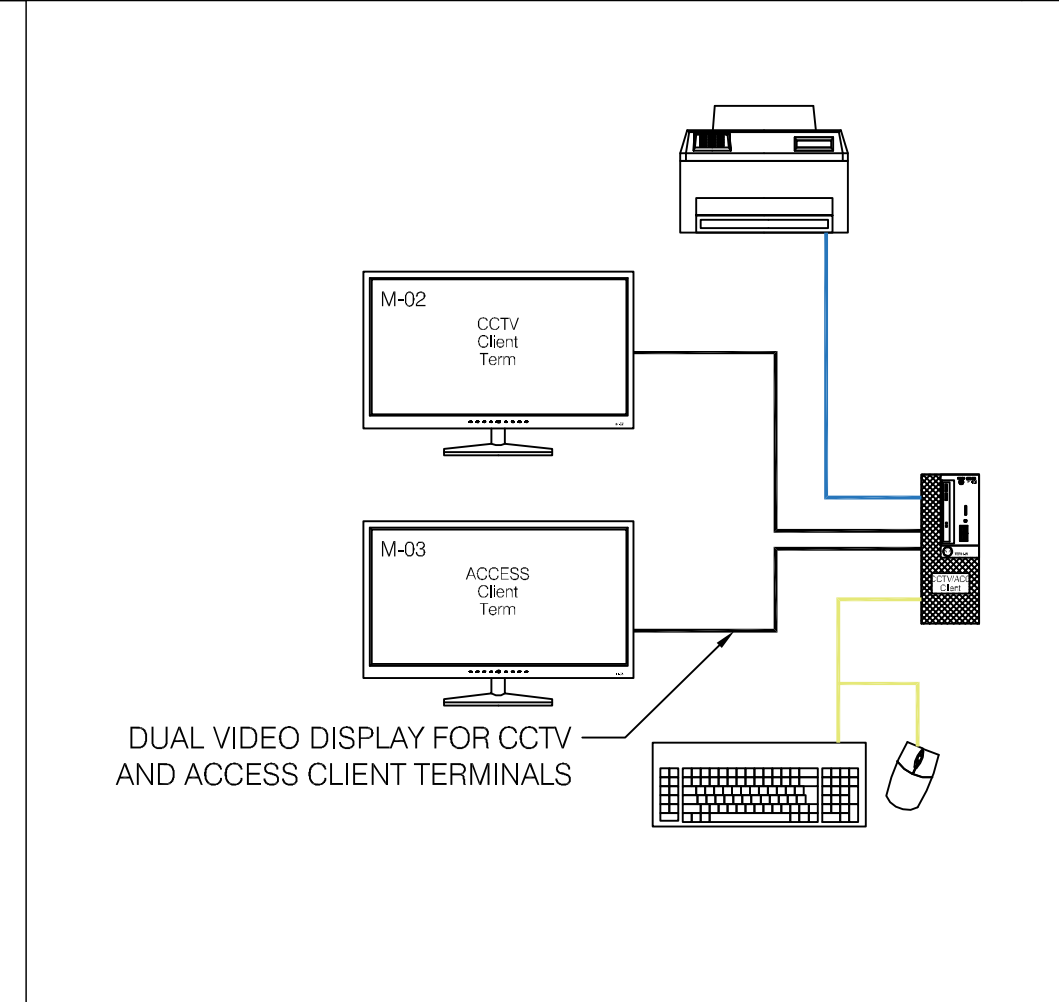
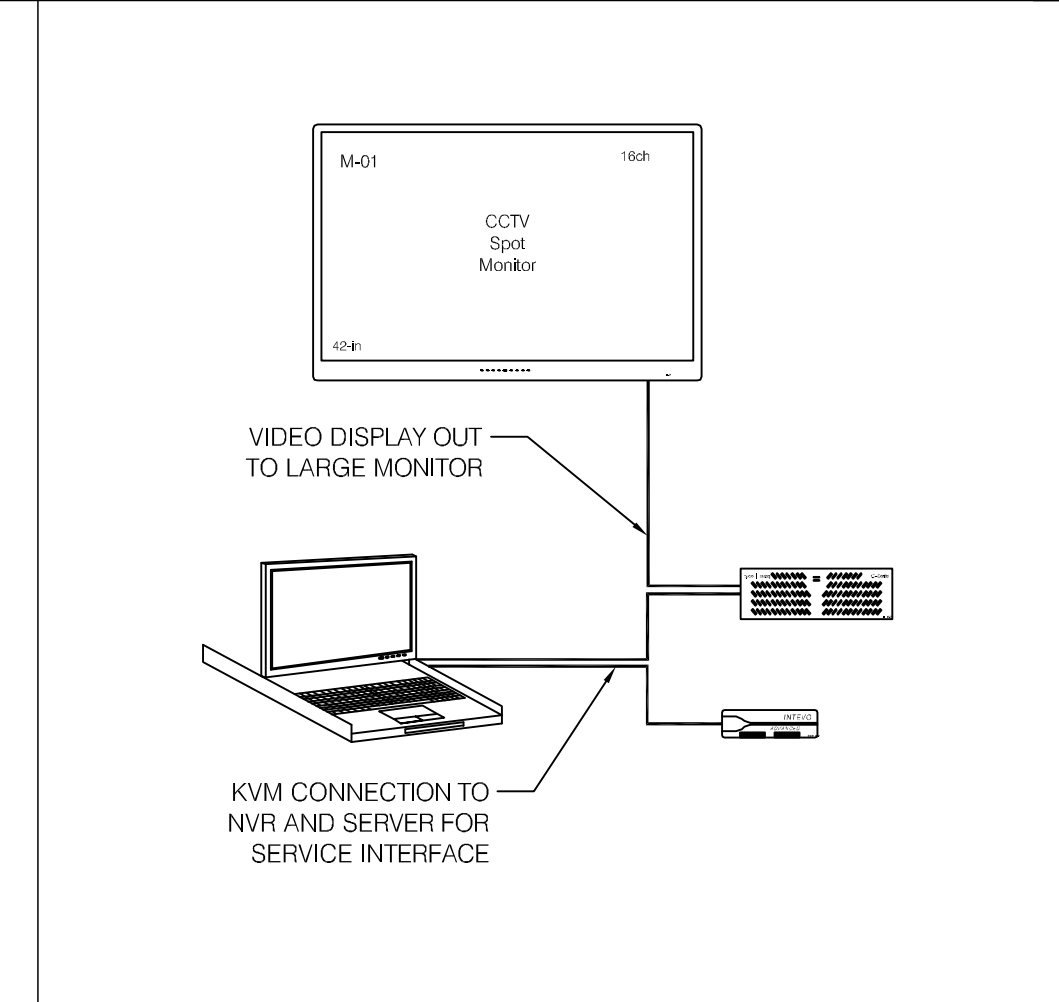
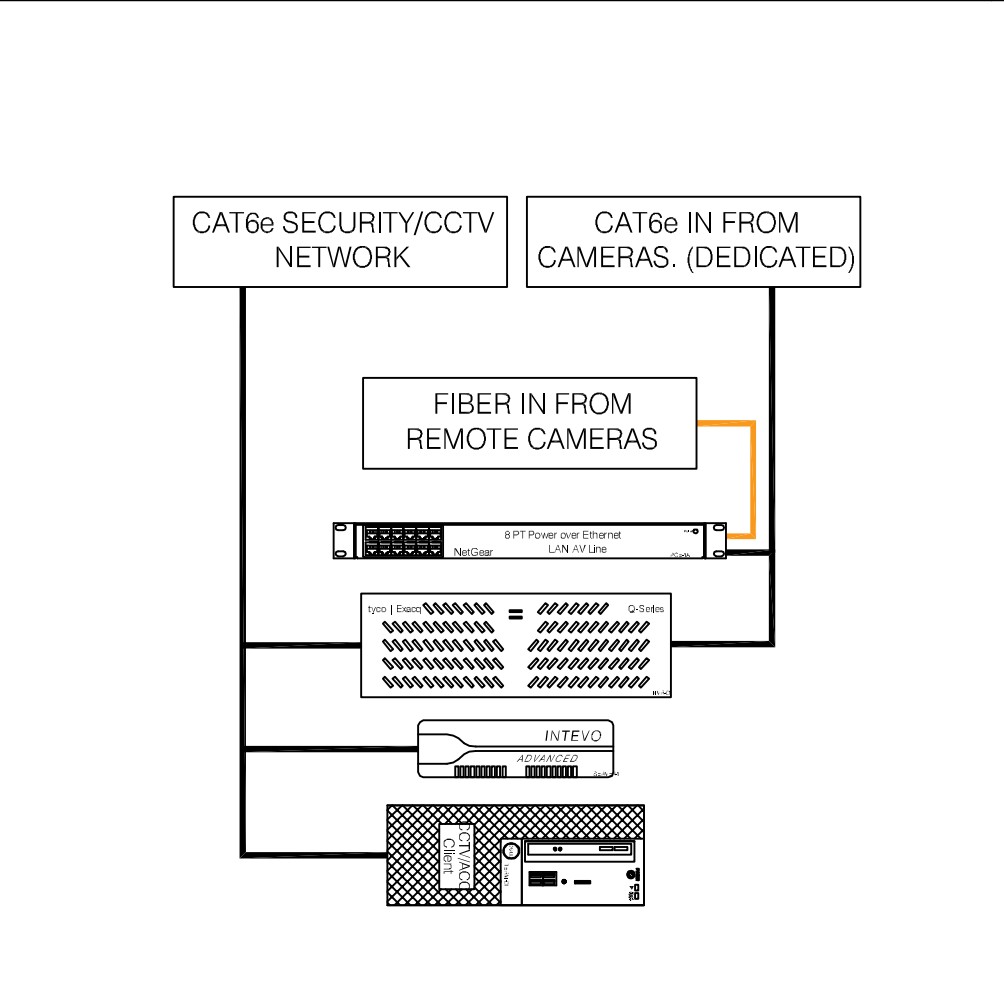
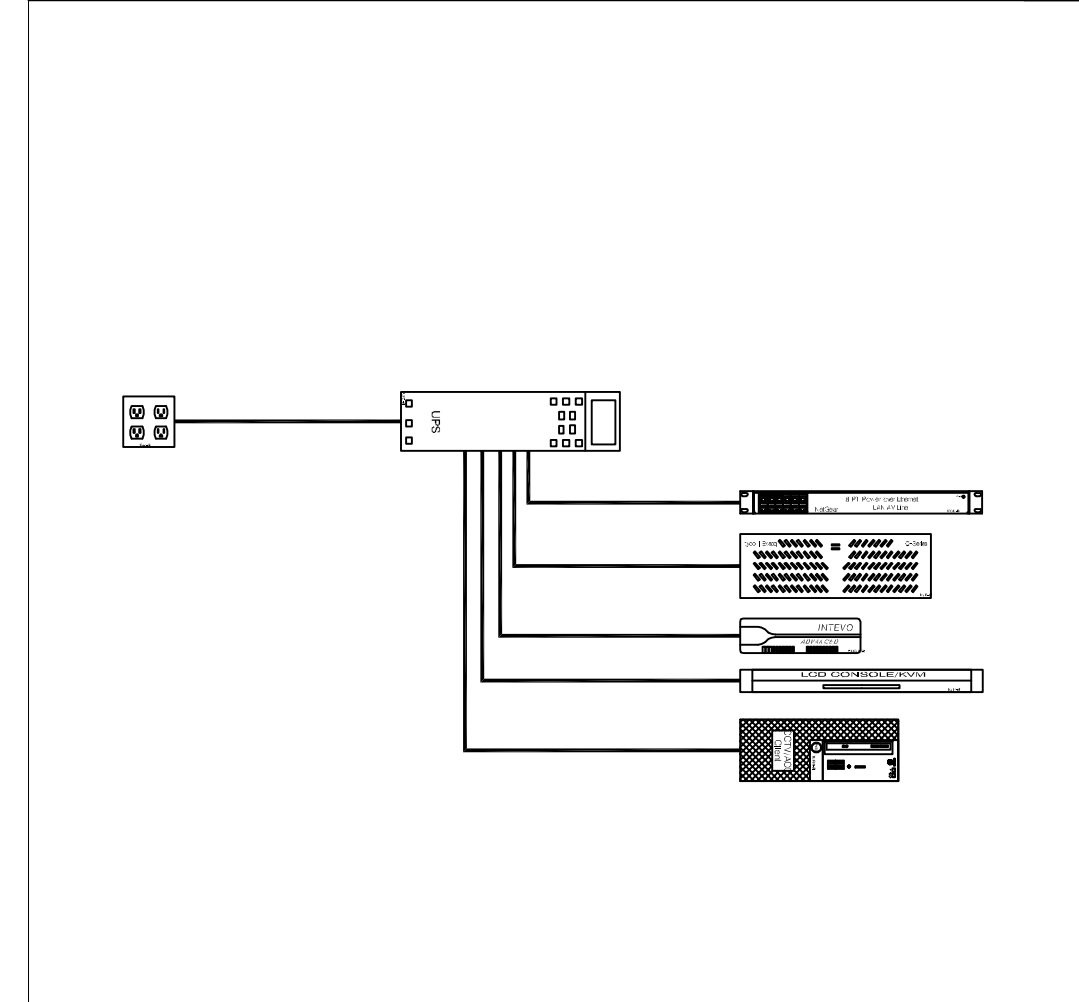
ADMIN BUILDING COMMAND CENTER - SECURITY RM 126 LAYOUT SCALE: NONE 01

ADMIN BUILDING COMMAND CENTER - SECURITY RM 126 ELEVATION A-A SCALE: NONE 02

ADMIN BUILDING COMMAND CENTER - SECURITY RM 126 ELEVATION B-B SCALE: NONE 03

ADMIN BUILDING COMMAND CENTER - SECURITY RM 126 ELEVATION C-C SCALE: NONE 04

ADMIN BUILDING COMMAND CENTER - SECURITY RM 126 RACK ELEVATION WITH EQUIPMENT CALLOUT SCALE: NONE 05



**Owner**

Storm King Art Center  
1 Museum Road  
New Windsor, NY 12553  
+1 (845) 534-3115

**Design Architect**

Henghan Peng Architects  
14-16 Lord Edward Street  
Dublin, D02 YC63  
+353 1 633 9000

**Executive Architect**

WXY Architecture + Urban Design  
224 Centre Street, 5th Floor  
New York, NY 10013  
+1 (212) 219-1953

**Landscape Architect**

Gustafson Porter + Bowman  
1 Cobham Mews  
London, MW1 9SB, UK  
+44 020 7284 8950

**Structural & Lighting**

ARUP  
77 Water Street  
New York, NY 10005  
+1 (212) 896-3000

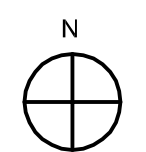
**MEP/FP & Sustainability**

BuroHappold  
100 Broadway #23  
New York, NY 10005  
+1 (212) 616-0228

**Civil**

VHB  
100 Great Oaks Blvd., Suite 118  
Albany, NY 12203  
+1 (518) 389-3606

**Key Plan**



Description	Date
50% Design Development	11/06/20

**Project**

# Storm King Art Center Administration Building

1 Museum Road  
New Windsor, NY 12553

**Seal**

**NOT FOR CONSTRUCTION**

Drawing Title

## Details Security & CCTV System

Date 06/29/20

Scale N.T.S.

Drawing Number SC-A-202

Sheet Size ARCH D