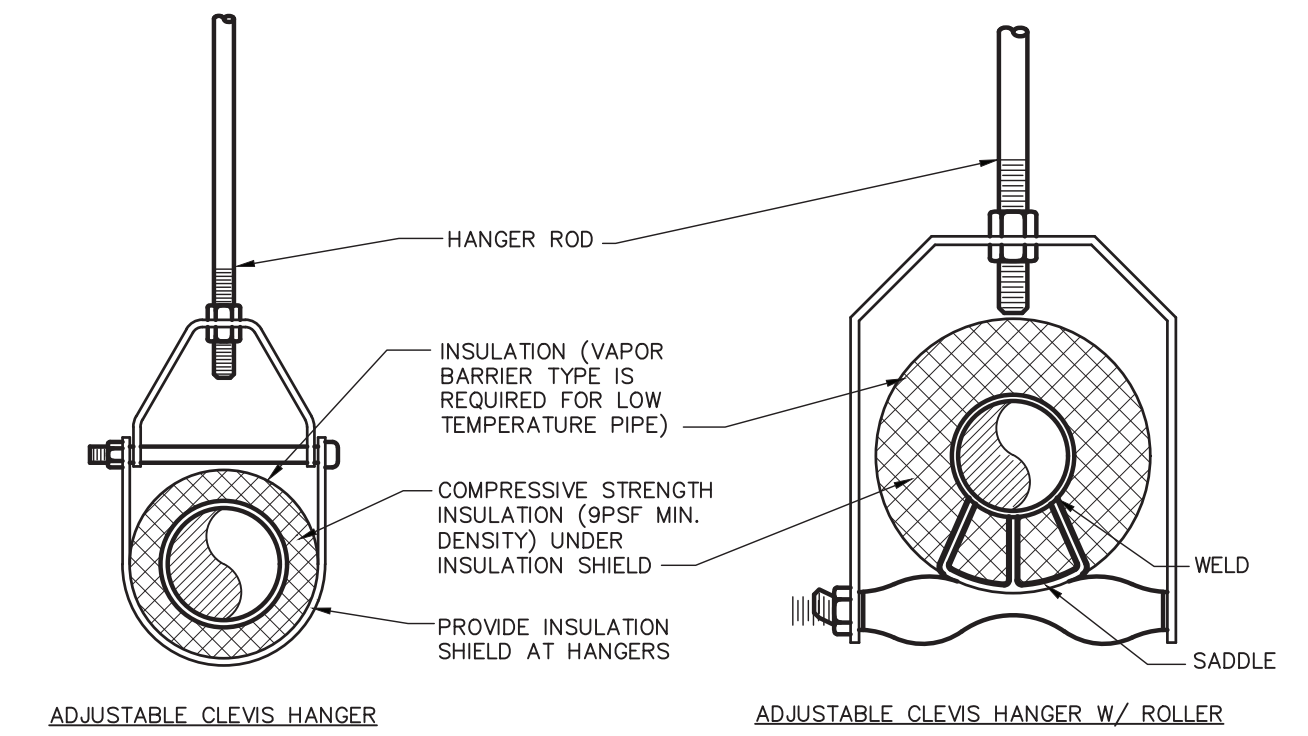


**1 CONCRETE PAD DETAIL**  
SCALE: NONE

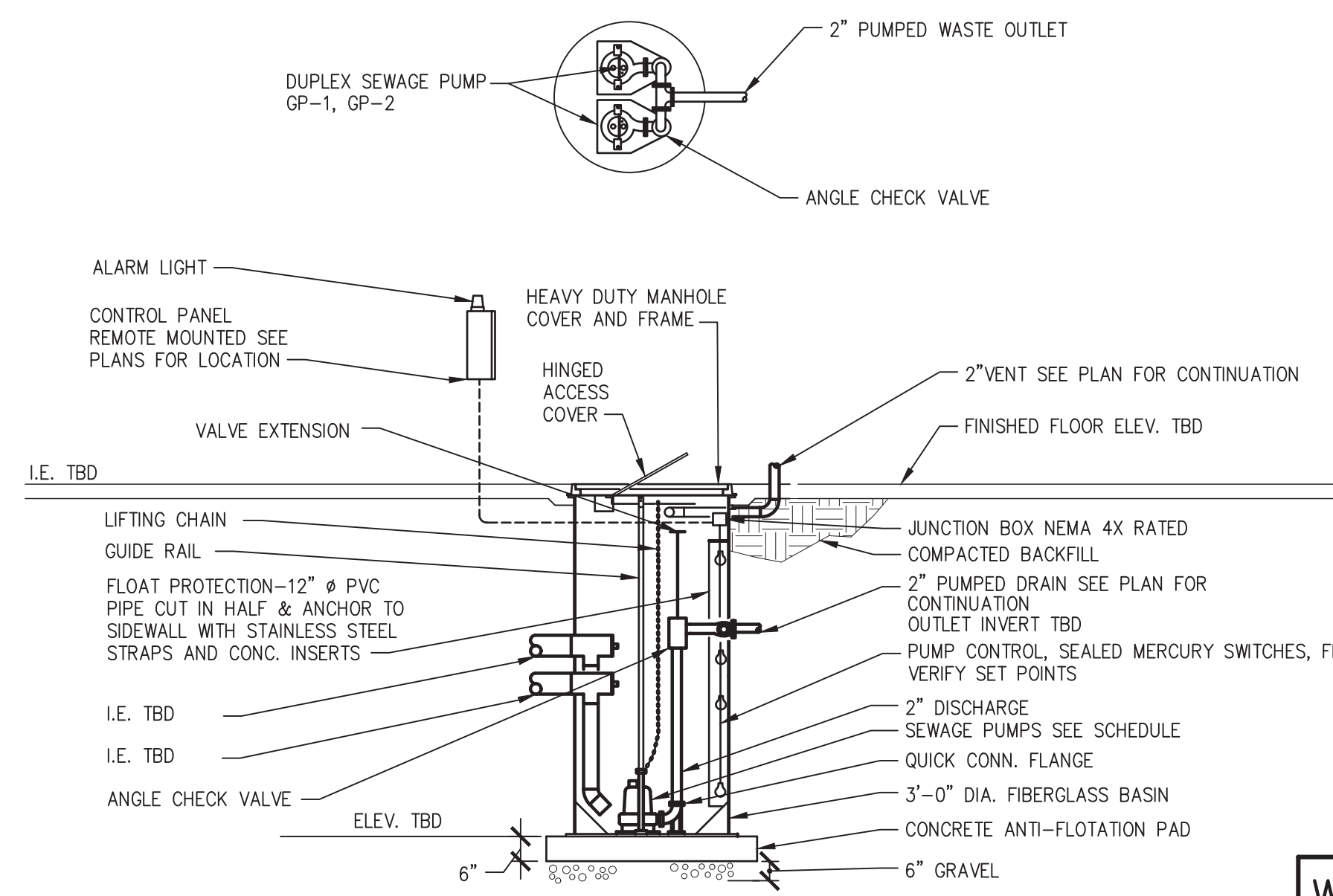


MAXIMUM PIPE/TUBING SUPPORT SPACING

SIZE IN.	THRU 3/4"	1"	1 1/4"	1 1/2"	2"	2 1/2"	3"	4"
PIPE FT.	6	6	6	6	6	6	6	6
TUBING FT.	6	6	6	6	6	6	6	6

NOTE:  
1. FOR TRAPEZE HANGER TAKE SPACING OF SMALLEST SIZE ON TRAPEZE.

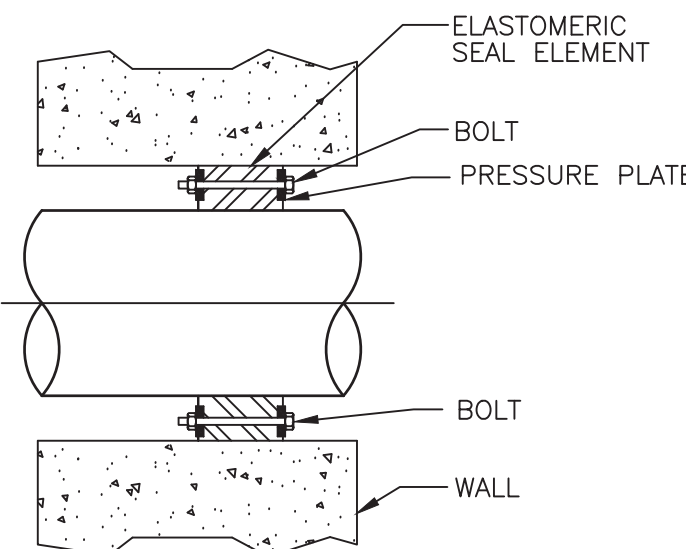
**2 PIPE SUPPORT DETAIL**  
SCALE: NONE



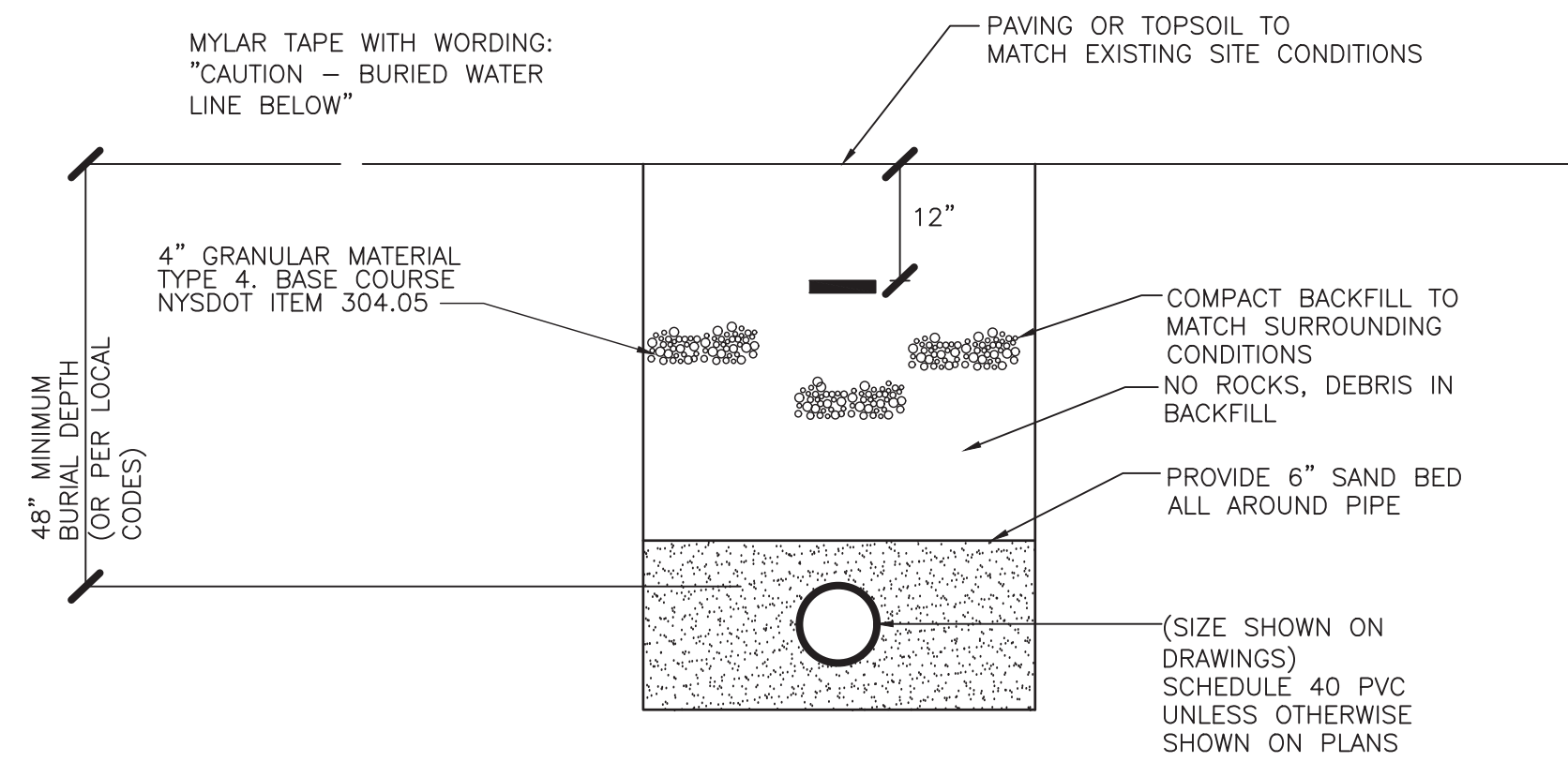
NOTES:

1. PREFABRICATED FIBERGLASS BASIN W/ INTEGRAL SS. PIPE RAILS, INLET, DISCHARGE AND CONDUIT TAPS;
2. SINGLE HATCH BASIN COVER: TOPP NO. C36HSS OR EQUAL
3. DUPLEX PUMP CONTROL PANEL: BOULAY FABRICATION INC. NO.: BOU# T16039 2HP 460/3/60 OR EQUAL
4. PUMP CONTROL AND ALARM FLOATS MECHANICALLY ACTIVATED NORMALLY OPEN/CLOSED (FIELD VERIFY CABLE LENGTH REQUIRED); SJE RHOMBUS "SIGNALMASTER" OR EQUAL
5. COORDINATE ALL ELEVATIONS AND ACCESSORIES PROVIDED BY OTHERS PRIOR TO INSTALLATION.

**7 SEWAGE EJECTOR PUMP DUPLEX PUMPING STATION**  
SCALE: NONE

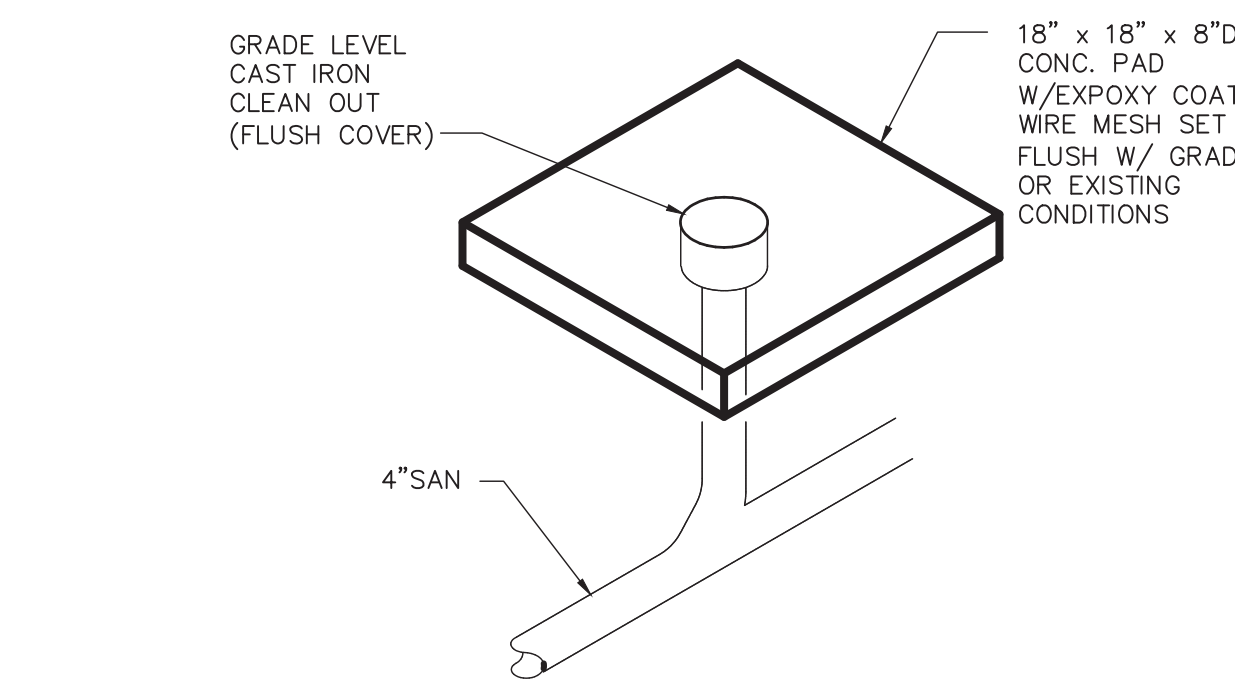


**3 EXTERIOR WALL PIPE PENETRATION DETAIL**  
SCALE: NONE

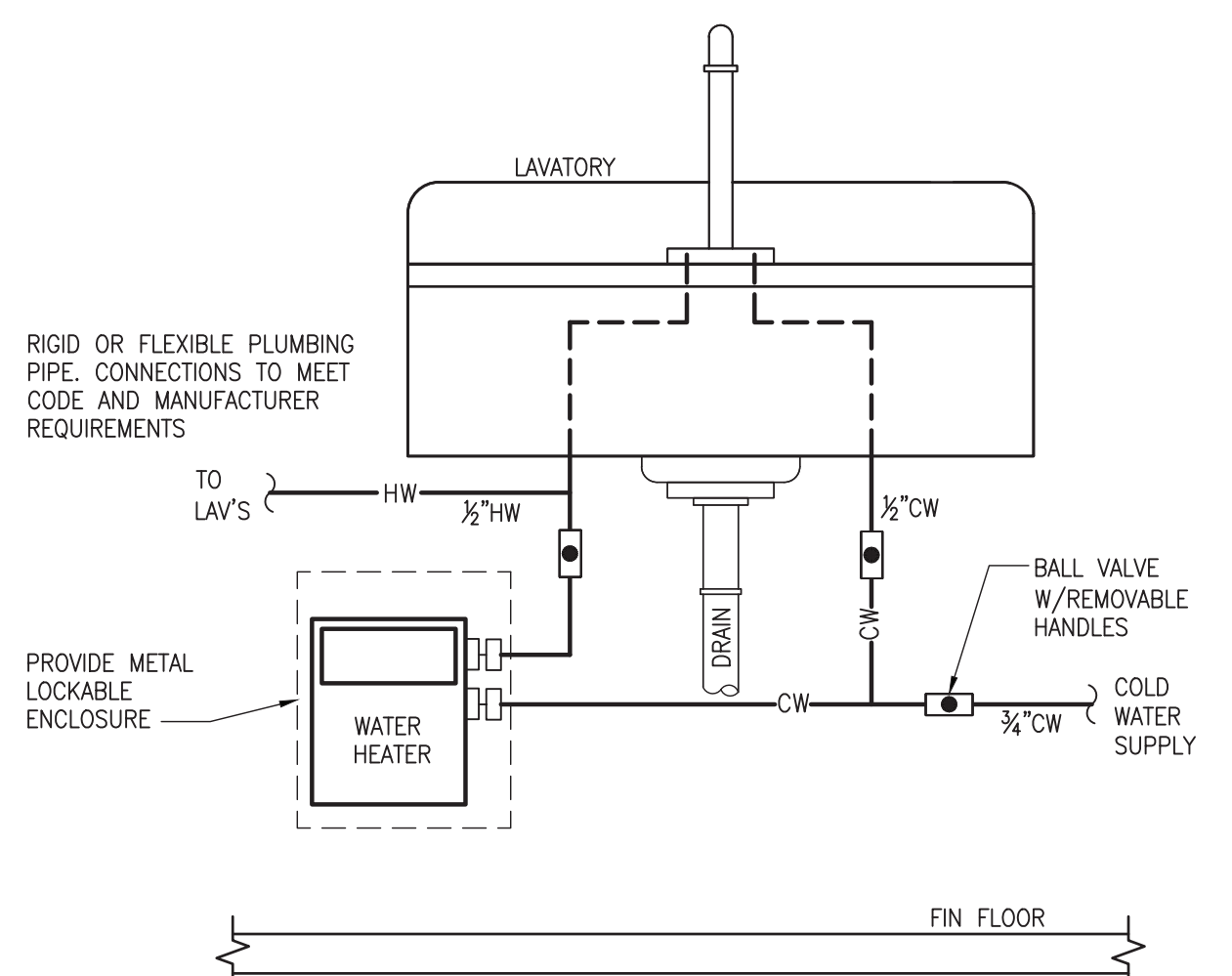


- NOTES:
1. EXCAVATE REMOVE ROCK, BACKFILL, SEED AND RESTORE OR PAVE TO ORIGINAL CONDITIONS.

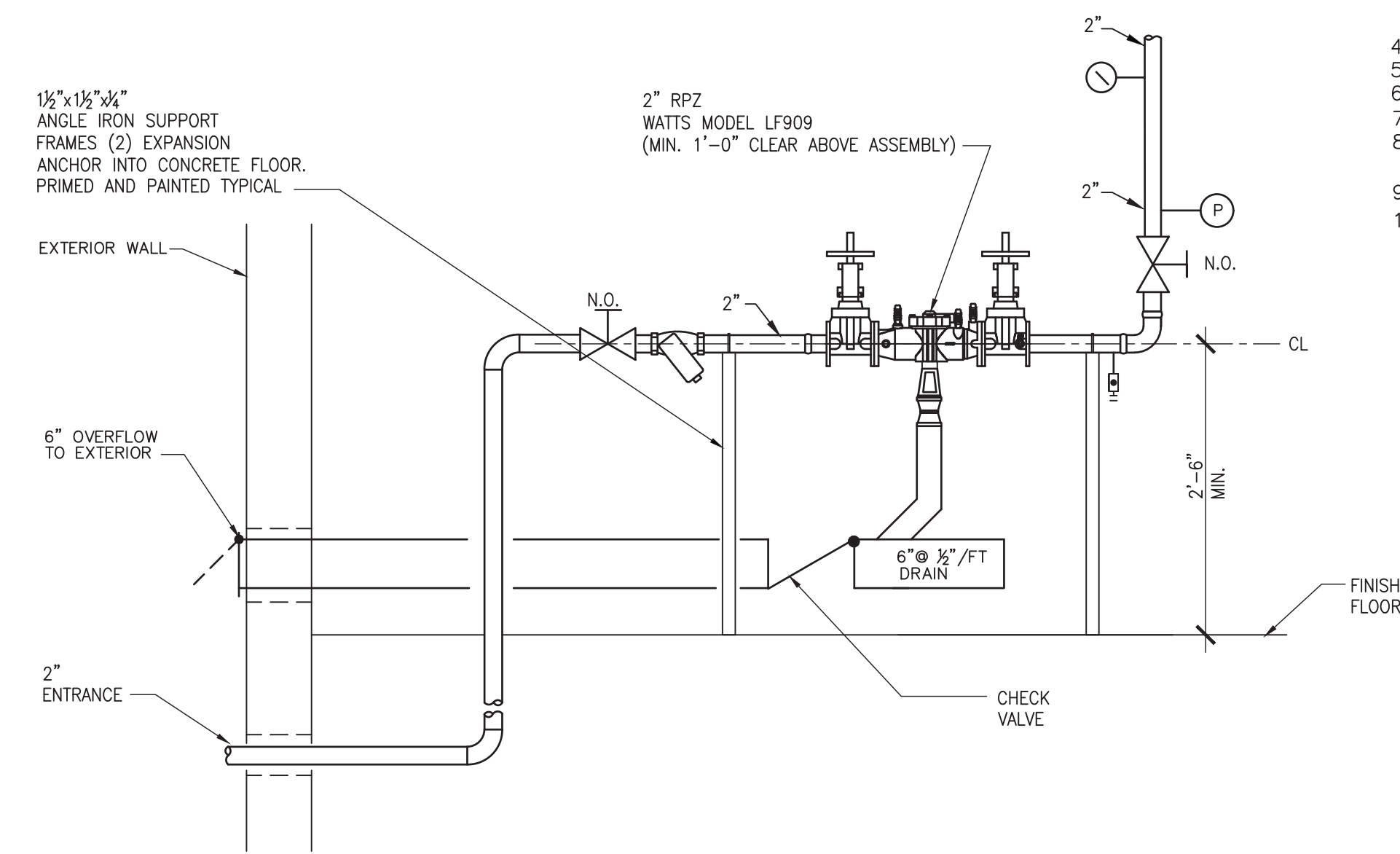
**4 TRENCH DETAIL**  
SCALE: NONE



**5 GRADE LEVEL CLEANOUT DETAIL**  
SCALE: NONE

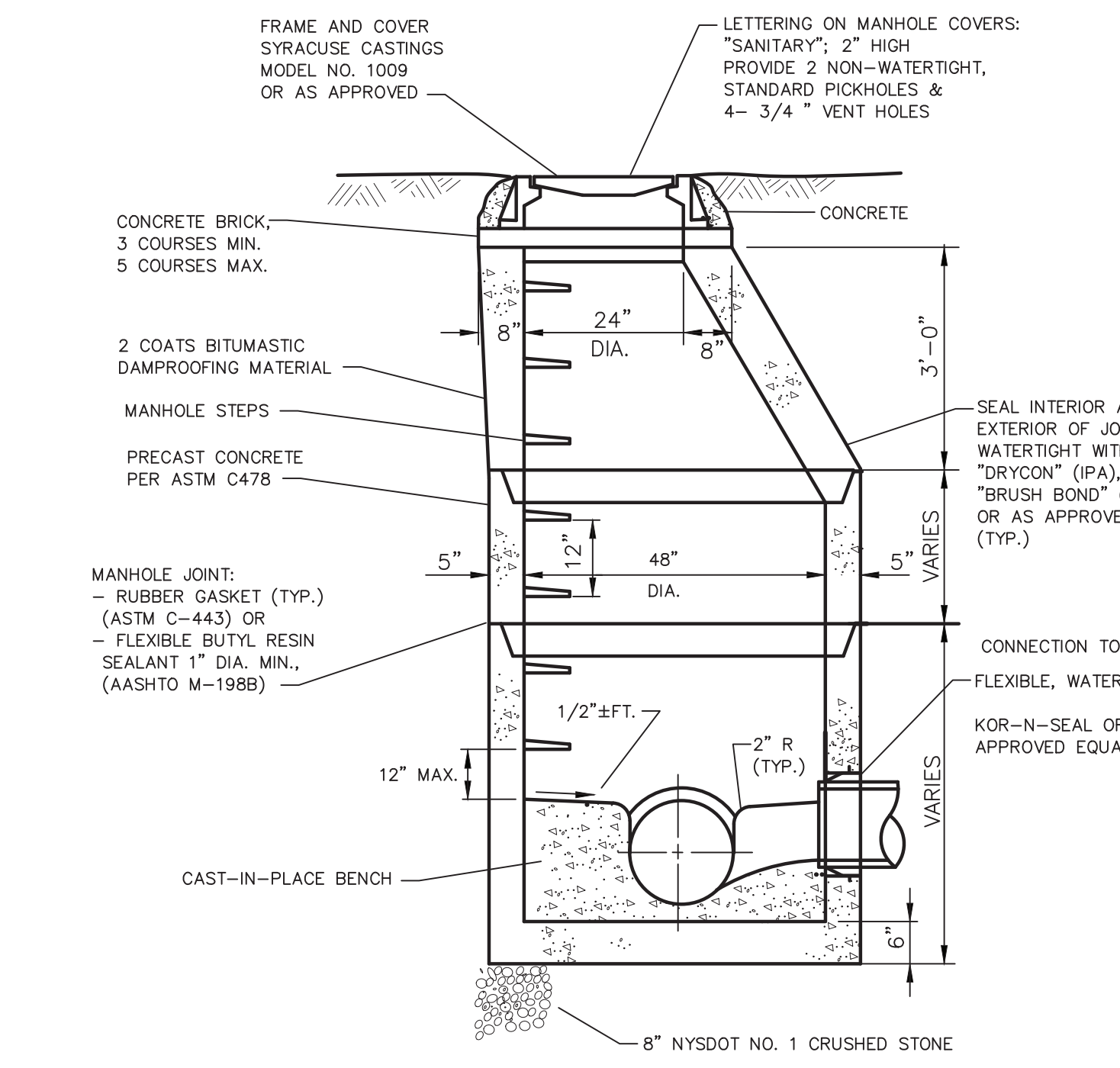


**6 POINT OF USE WATER HEATER**  
SCALE: NONE



- BACKFLOW ASSEMBLY CLEARANCES:
1. ASSEMBLY SHALL BE INSTALLED WITH CENTERLINE OF 30" TO 60" ABOVE FINISHED FLOOR. INSTALLATION AT A GREATER HEIGHT SHALL BE PROVIDED WITH A FIXED PLATFORM.
  2. ASSEMBLY SHALL BE INSTALLED WITH 18" MINIMUM CLEARANCE BETWEEN BOTTOM OF RELIEF VALVE AND THE FLOOR.
  3. ASSEMBLY SHALL BE INSTALLED WITH 12" MINIMUM CLEARANCE ABOVE ASSEMBLY.
  4. ASSEMBLY SHALL BE INSTALLED WITH A MINIMUM OF 30" OF CLEAR SPACE BETWEEN THE FRONT SIDE OF THE DEVICE AND THE NEAREST WALL OR OBSTRUCTION.
  5. ASSEMBLY SHALL BE INSTALLED WITH A MINIMUM OF 8" CLEARANCE FROM THE BACK SIDE OF DEVICE TO THE NEAREST WALL OR OBSTRUCTION.
  6. ASSEMBLY SHALL BE ADEQUATELY SUPPORTED AND/OR RESTRAINED TO PREVENT LATERAL MOVEMENT. SUPPORTS SHALL BE PLACED IN A MANNER THAT WILL NOT OBSTRUCT THE FUNCTION OF OR THE ACCESS TO THE RELIEF VALVE.

**8 BACKFLOW PREVENTER DETAIL**  
SCALE: NONE



**9 SANITARY MANHOLE DETAIL**  
SCALE: NONE

TYPE	EQUIPMENT OR SYSTEM SERVED	INSULATION CLASS (a)			JACKETING CLASS (b)			THICKNESS (IN)					
		INTERIOR CONCEALED	INTERIOR EXPOSED	EXTERIOR	INTERIOR GENERAL	EQUIPMENT ROOMS	EXTERIOR	NOMINAL PIPE SIZE (IN)					
								<1"	1"-<1 1/2"	1 1/2"-<4"	4"-<8"	>8" & UP	
A	DCW, COOLING COIL CONDENSATE	FE (R-4)	--	--	0	--	--	0.5	0.5	1.0	1.0	1.0	1.0
B	DHW/ DHWR	FG (R-7)	--	--	1	--	--	1.5	1.5	2	2	2	2
C	IW, SAN, CW EXTERIOR	--	--	FG (R-4)	--	--	2	1.5	1.5	1.5	1.5	1.5	1.5

(a) FG -- FIBROUS GLASS  
FE -- FLEXIBLE ELASTOMERIC  
UR -- URETHANE  
CS -- CALCIUM SILICATE  
FR -- FIRE RATED

(b) 0 -- NONE  
1 -- ALL SERVICE  
2 -- POLYVINYL CHLORIDE  
3 -- CANVAS  
4 -- POLYVINYL CHLORIDE

(c) BLANKET  
(d) RIGID BOARD

ALL INSULATION TO COMPLY WITH 2020 NYS ENERGY CONSERVATION CONSTRUCTION CODE

**WATER HAMMER ARRESTORS**

NO.	FIXTURE UNIT RATING	SIZE IN INCHES	PDI SYMBOL
WHA-A	1 - 11	1/2"	A
WHA-B	12 - 32	3/4"	B
WHA-C	33-60	1"	C

SIZING DATA BASED ON THE PLUMBING DRAINAGE STANDARD P.D.I. - WH201.

**FIXTURE AND EQUIPMENT CONNECTION SCHEDULE**

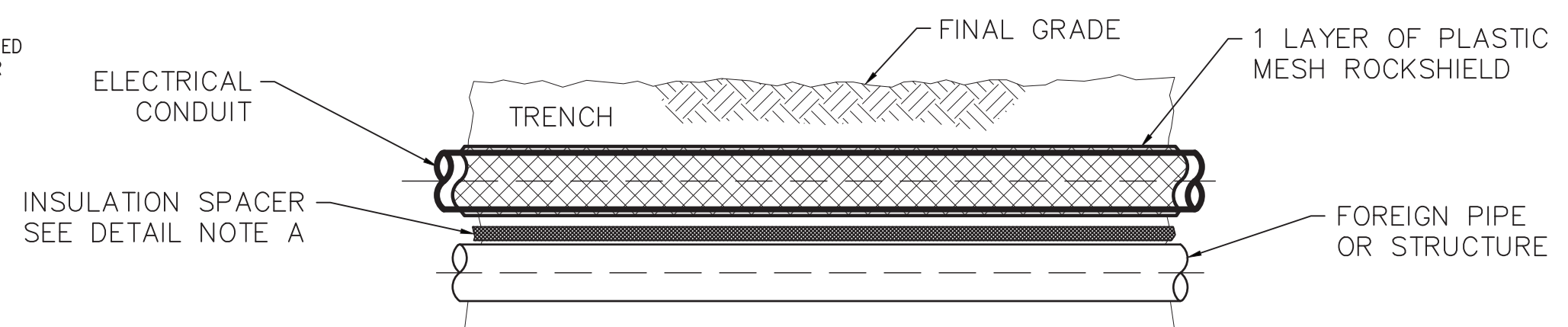
DESIGNATION	DESCRIPTION	COLD WATER	HOT WATER	WASTE OR SANITARY	VENT	REMARKS
WC-A	WATER CLOSET	3/4"	--	4"	2"	NOTE 1
UR-A	URINAL	3/4"	--	2"	2"	NOTE 2
LAV-A	LAVATORY	1/2"	1/2"	1-1/4"	1-1/4"	NOTE 3
FD-A	FLOOR DRAIN	--	--	3"	2"	NOTE 4
FPCO	CLEANOUT	--	--	4"	--	NOTE 5
DF-A	DRINKING FOUNTAIN	3/4"	--	1 1/2"	1-1/4"	NOTE 9
MB-A	MOP BASIN	3/4"	3/4"	3"	2"	NOTE 8
HB-A	HOSE BIBB	3/4"	--	--	--	NOTE 10

NOTES:

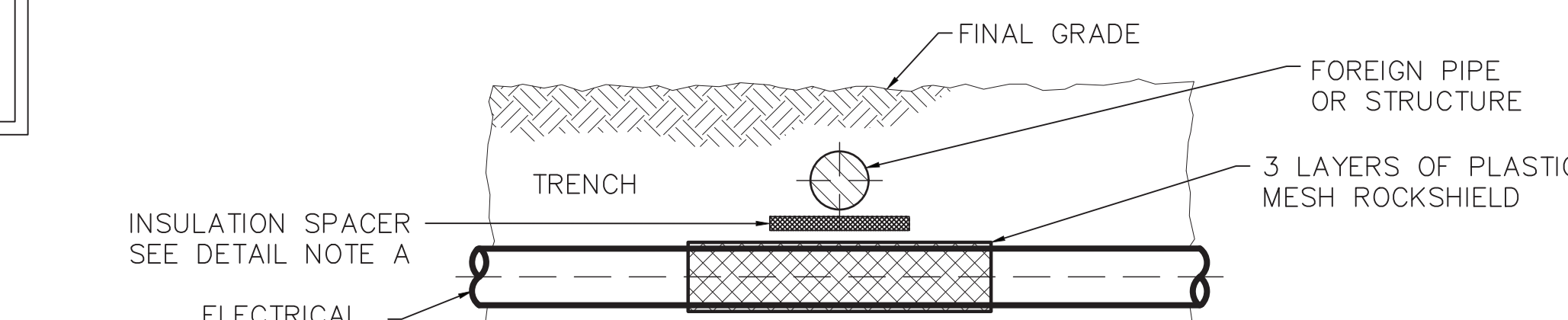
1. WALL MOUNTED WATER CLOSET AMERICAN STANDARD #FWALL 3351.101 WITH 5901.110 SEAT AND SLOAN FLUSH VALVE ROYAL 111 ESS-1.6-OR-HW
2. WALL MOUNTED URINAL AMERICAN STANDARD WASHBROOK 6590.001 WITH SLOAN FLUSH VALVE ROYAL 186 ESS-1.0-HW
3. WALL HUNG LAVATORY AMERICAN STANDARD 0355.012 W/JR SMITH CARRIER 0700, MCGUIRE 2167-LK-F AND MCGUIRE 8912-F. FAUCET AMERICAN STANDARD 605B-205, PKOO-HAC, 605XTM1070 HARD WIRED AC MULTI AC PROVIDE STAINLESS STEEL FLEXIBLE SUPPLIES, CW/HW BRASSCRAFT S1-A AND SHUT OFF VALVES W/ REMOVABLE HANDLES. LAV GUARD BY ARCHITECT
4. FLOOR DRAIN MODEL JR SMITH 2010C-A WITH TRAP SEAL BY PREVENT SYSTEMS OR APPROVED EQUAL.
5. PROVIDE CLEANOUT JR SMITH MODEL 4020 OR APPROVED EQUAL
6. ALL PLUMBING FIXTURES TO BE PROVIDED WITH SHUT-OFF VALVES AS SPECIFIED
7. INSTALL ALL CARRIERS PER MANUFACTURERS RECOMMENDATIONS. COORDINATE WITH ARCHITECTURAL DRAWINGS FOR CARRIER HEIGHTS.
8. PROVIDE MOP BASIN FIAT MSB-3636 WITH FIAT 830-AA. PROVIDE MOP BRACKET 889-CC, VINYL GUARDS E-77-AA AND HOSE BRACKET 832-AA OR APPROVED EQUAL
9. PROVIDE ELKAY MODEL LK4409BF - BLACK OR APPROVED EQUAL
10. PROVIDE JR SMITH HOSE BIBB 5685(H) WITH REMOVABLE HANDLE OR APPROVED EQUAL

**PUMP SCHEDULE**

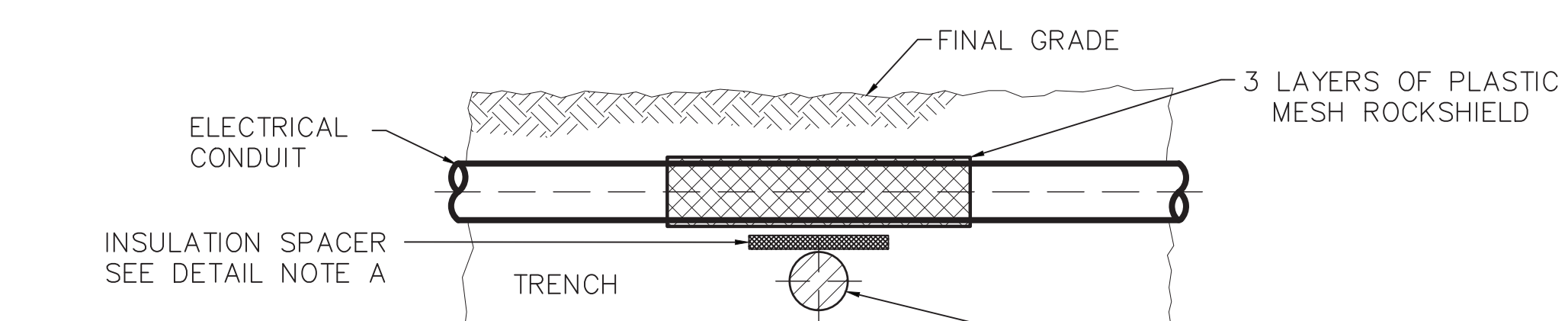
NO.	LOCATION	SERVICE	GPM	HEAD FT WATER	MOTOR			DESIGN MAKE
					WATTS/HP	VOLTAGE	PHASE	
GP-1	MECH ROOM	SEWAGE	25	40	1.5	460	60	1750 WEIL 2436
GP-2	MECH ROOM	SEWAGE	25	40	1.5	460	60	1750 WEIL 2436



PARALLEL INSTALLATION (HORIZONTAL OR VERTICAL ARRANGEMENT)



ANGULAR CROSSING (BELOW FOREIGN PIPE OR STRUCTURE)



ANGULAR CROSSING (ABOVE FOREIGN PIPE OR STRUCTURE)

- DETAIL NOTES:
- A. AN INSULATION SPACER SHALL BE INSTALLED BETWEEN METALIC WATER/SEWER PIPE TO PREVENT ELECTRICAL CONTACT WITH THE SUBSURFACE STRUCTURE.
  - B. REFER TO SPECIFICATIONS FOR ADDITIONAL REQUIREMENTS.

**ANGULAR & PARALLEL CROSSING OF SUBSURFACE STRUCTURE GAS PIPE PROTECTION BELOW GRADE CLEARANCES**

**10** SCALE: NONE

ENGINEER:  
**Fuller & Angelo P.C.**  
ARCHITECTS PLANNERS

CONSULTANT(S):  
**Fuller & Angelo P.C.**

48 KNOLLWOOD ROAD  
ELMSFORD NEW YORK 10523  
TEL: 914.892.4444  
FAX: 914.892.1717  
WWW.FULLERANGELO.COM

STATE OF NEW YORK  
Professional Engineer  
No. 10990

WARWICK VALLEY CENTRAL SCHOOL DISTRICT  
HIGH SCHOOL RENOVATIONS, FIELD WORK AND  
EXTERIOR BATHROOM BUILDING  
225 WEST STREET EXT. WARWICK, NY 10990

PROJECT NO. 05-21-04  
06-20-06

BD SET 04.08.2022

REVISION DATE

DRAWN BY

CHECKED BY

SHEET SIZE 30" x 42"

SCALE AS NOTED

SHEET TITLE  
SCHEDULES AND DETAILS

SHEET NO.  
**P-500**