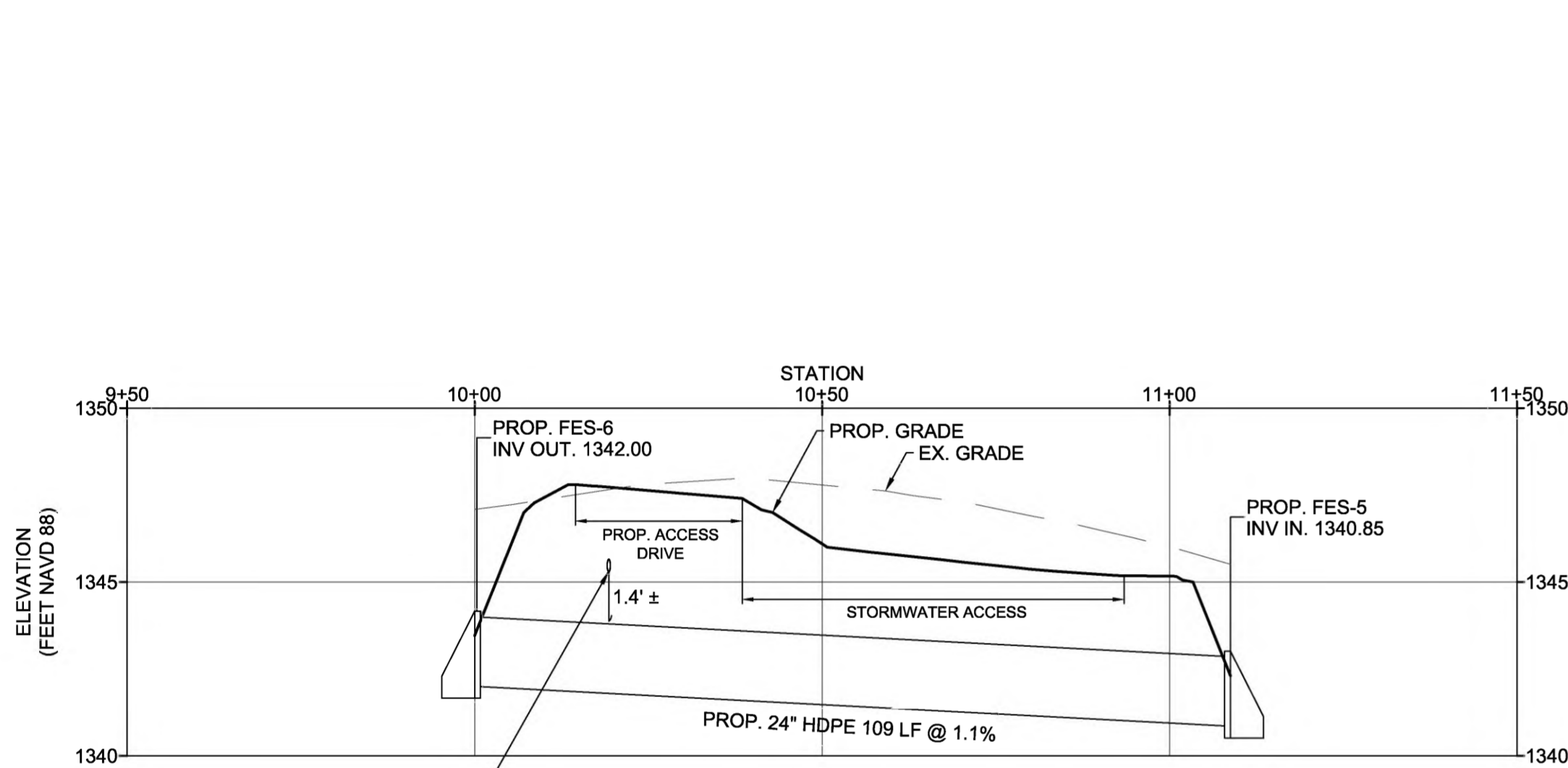
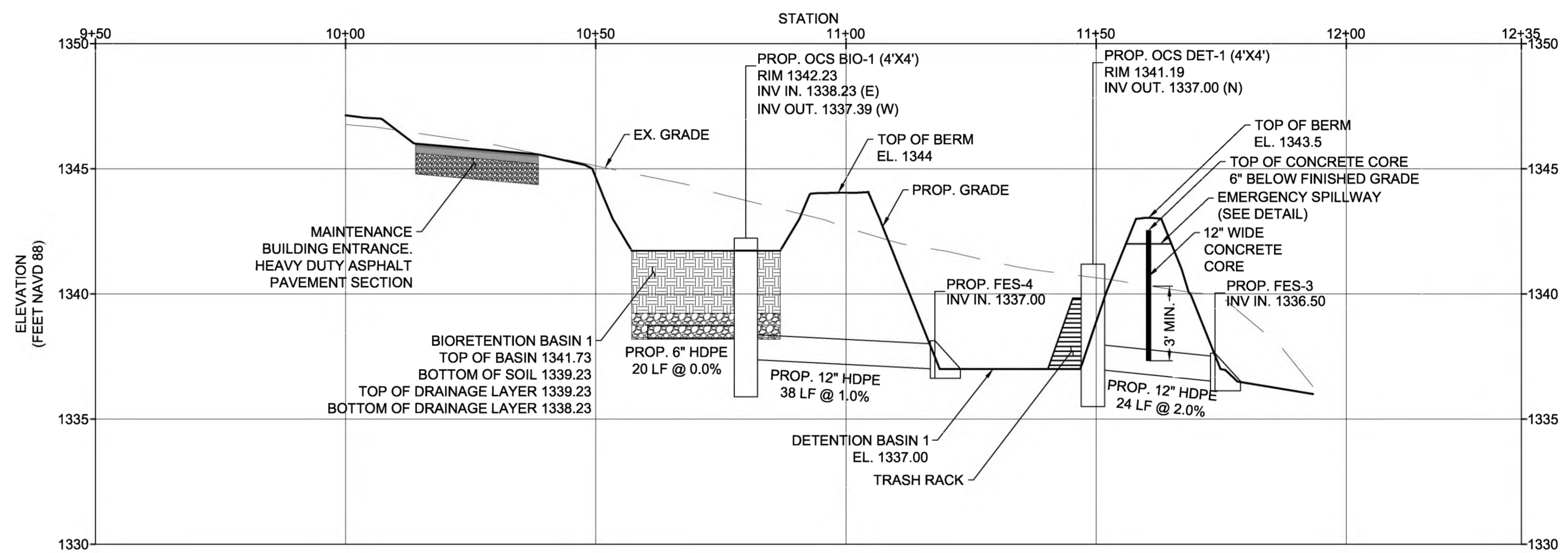


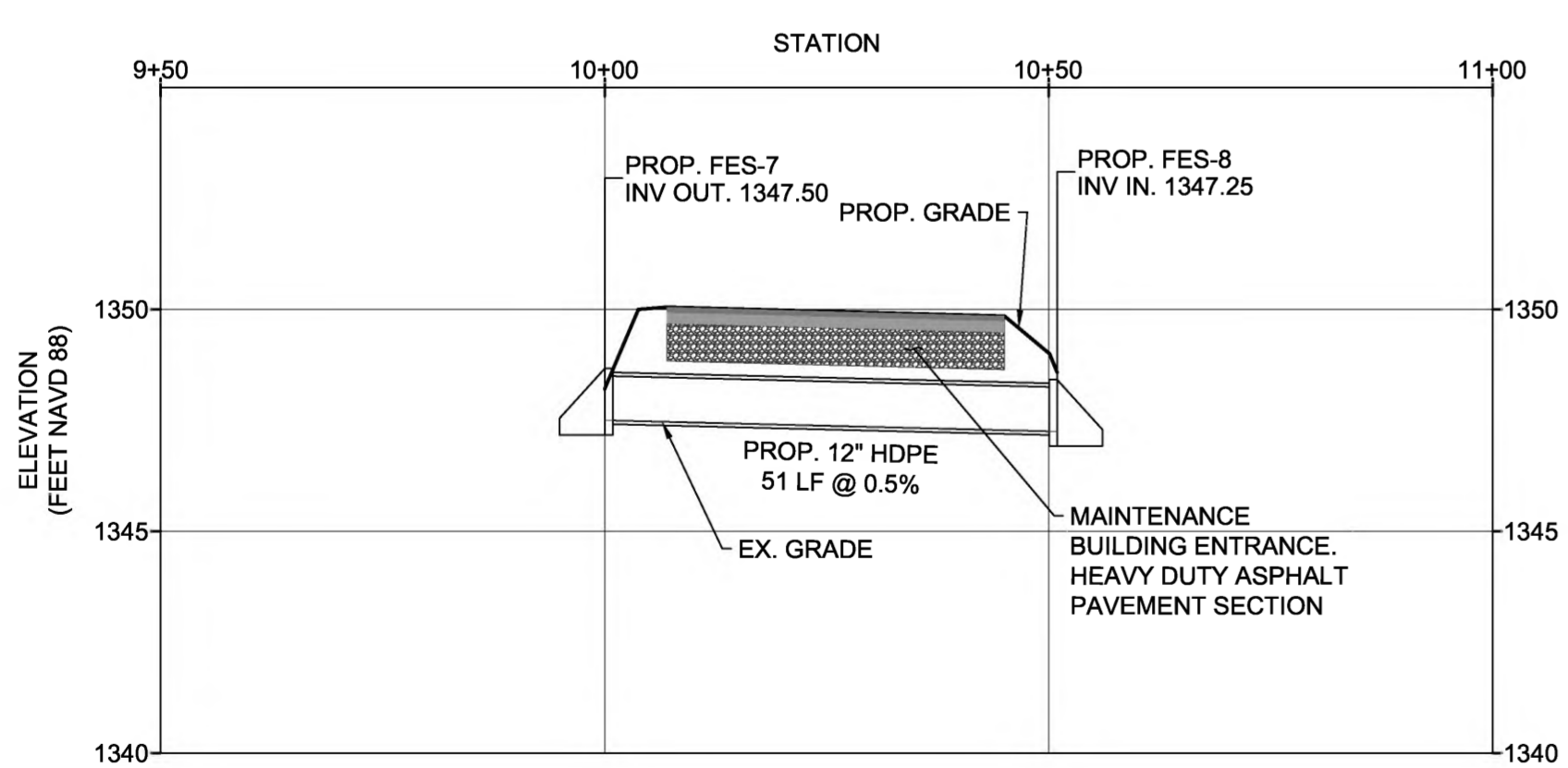
MH-1 TO FES-2
 SCALE
 HORIZONTAL: 1" = 20'
 VERTICAL: 1" = 4'



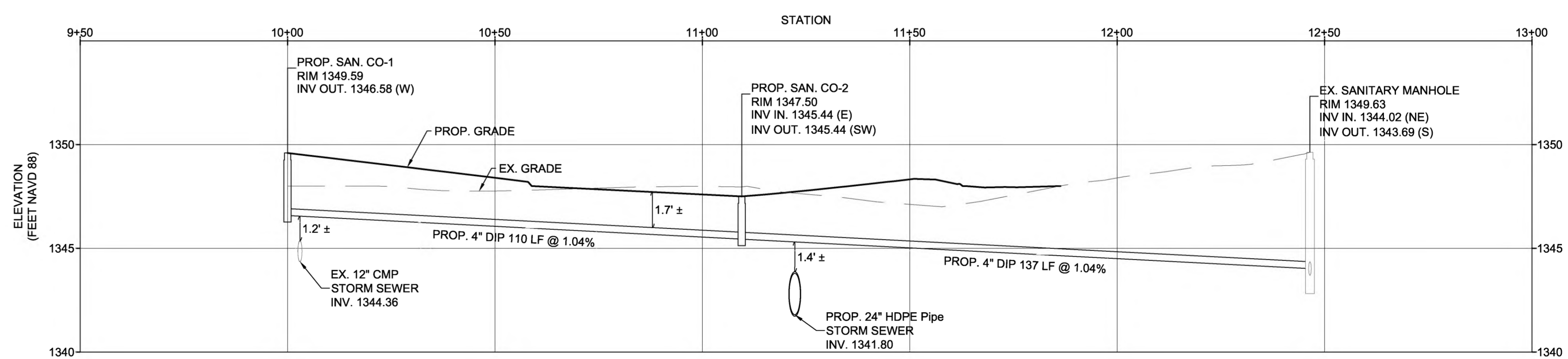
FES-5 TO FES-4
 SCALE
 HORIZONTAL: 1" = 20'
 VERTICAL: 1" = 4'



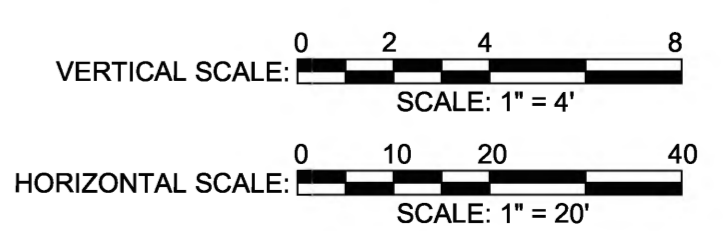
CROSS SECTION A-A
 SCALE
 HORIZONTAL: 1" = 20'
 VERTICAL: 1" = 4'



FES-7 TO FES-8
 SCALE
 HORIZONTAL: 1" = 20'
 VERTICAL: 1" = 4'



SAN. CO-1 TO EX SAN. MH
 SCALE
 HORIZONTAL: 1" = 20'
 VERTICAL: 1" = 4'



APPLICANT
 EMPIRE RESORTS REAL ESTATE I, LLC
 204 STATE ROUTE 17B
 MONTICELLO, NY 12701

SITE/CIVIL ENGINEER

 AKRF ENGINEERING, P.C.
 34 SOUTH BROADWAY, SUITE 401
 WHITE PLAINS, NY 10601
 (914) 949-7336

SURVEYOR
 CONTRACTORS' LINE & GRADE
 SOUTH, LLC
 23 NEPPERHAN AVENUE
 ELMSFORD, NY 10523
 (914) 347-3141

SURVEYOR
 INSITE ENGINEERING, SURVEYING, &
 LANDSCAPE ARCHITECTURE, P.C.
 3 GARRET PLACE
 CARMEL, NY. 10512
 (845) 225-9690



SONNY KONG, P.E.

REVISIONS		
No.	DATE	DESCRIPTION

PROJECT
 MONSTER GOLF
 MAINTENANCE BUILDING
 FINAL DESIGN

DRAWN BY JWH	CHECKED BY SK
SCALE AS NOTED	DATE 06/28/2019

SHEET TITLE
 PROFILES AND
 SECTIONS

SHEET NO.
C-1001
 SHEET 18 OF 18