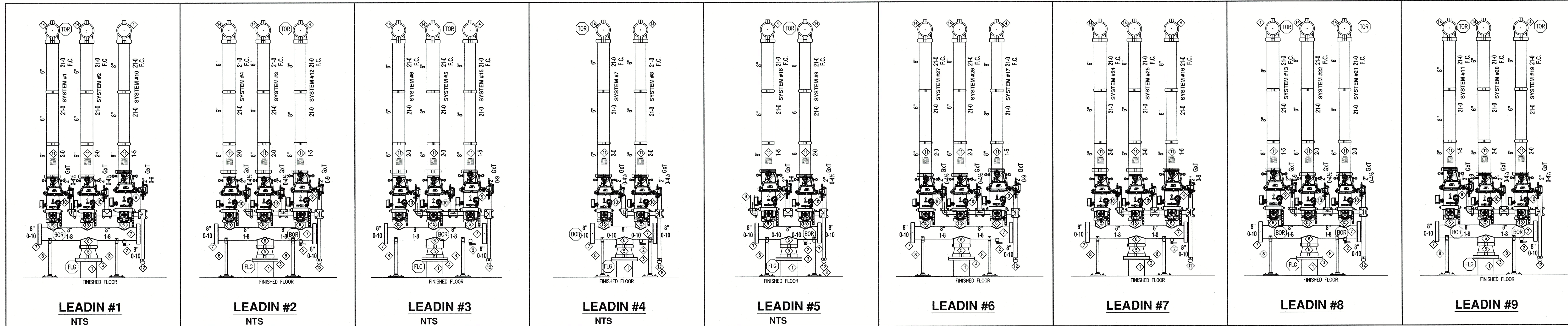


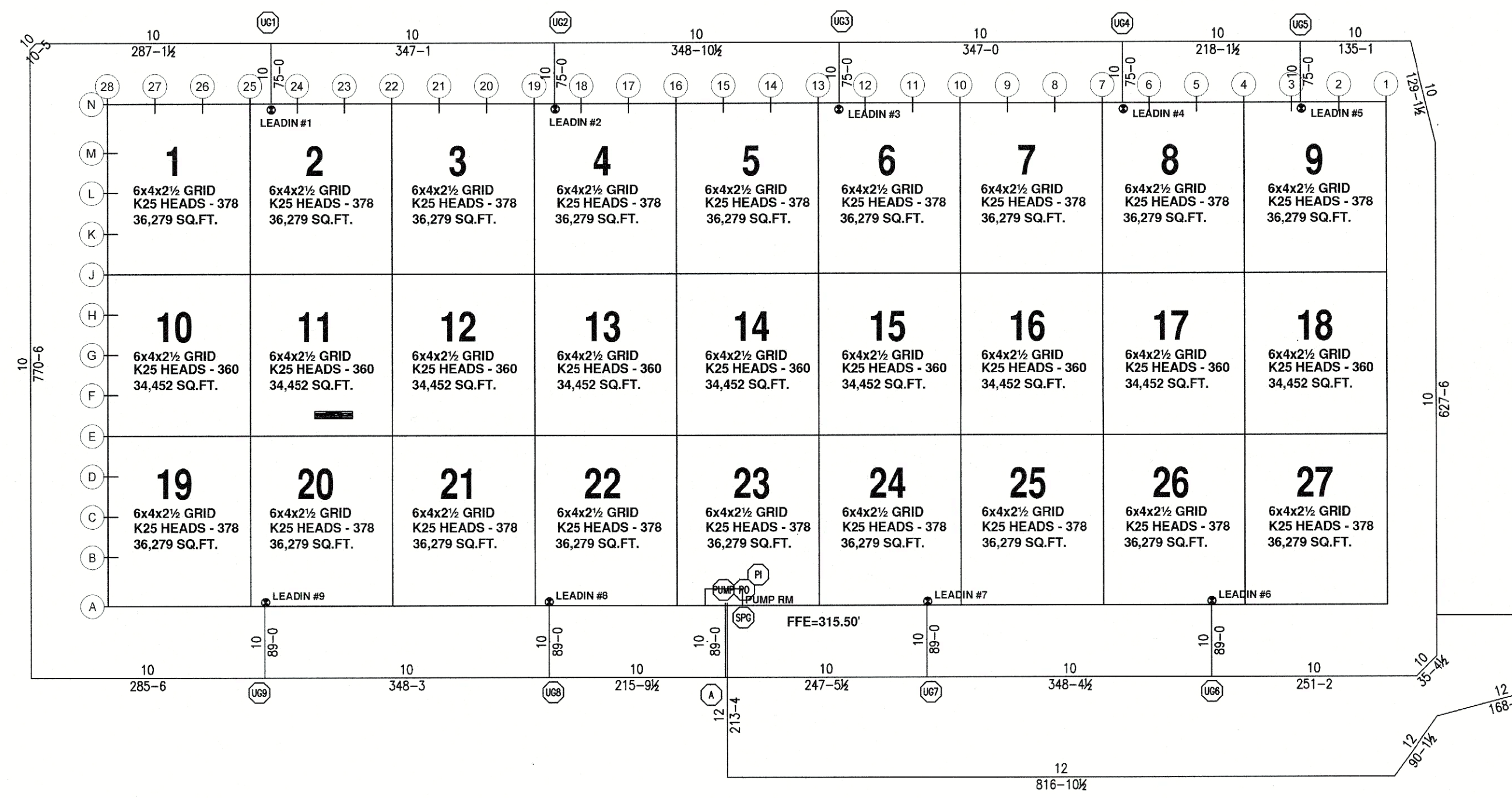
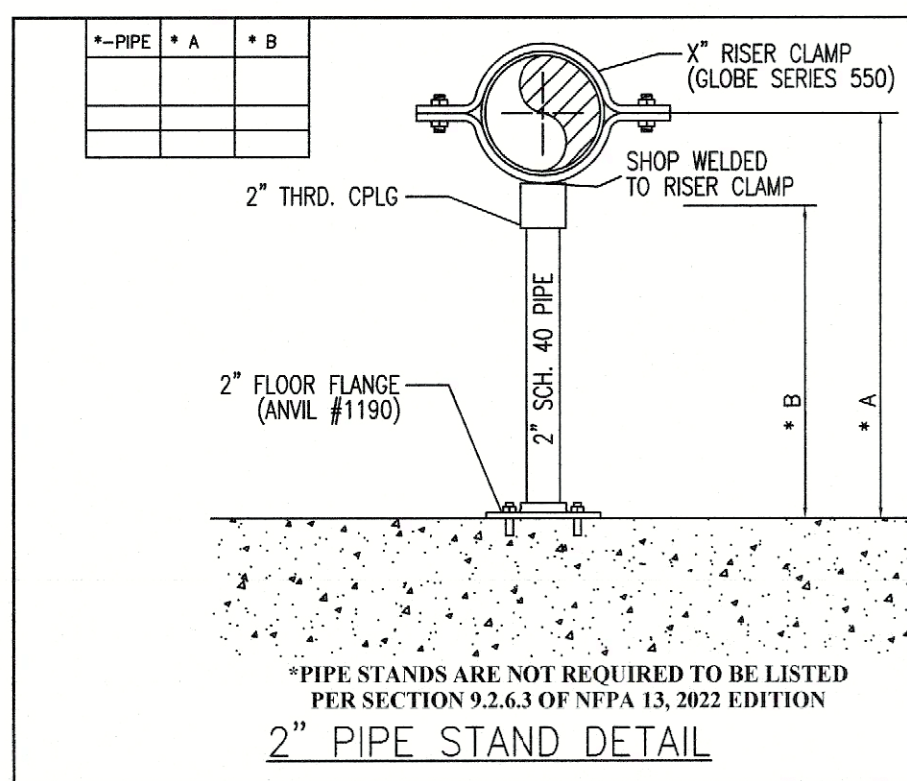
BUILDING SECTION A-A

SCALE: NTS



RISER MATERIAL LEGEND

- ◇ 10" LEADIN (BY OTHERS)
- ◇ 1" AUX DRAIN
- ◇ VC 744 FLANGE ADAPTER
- ◇ 8" VC FIRELOCK 90
- ◇ 10"x8" CONCENTRIC REDUCER
- ◇ 8" GROOVED OUTLET
- ◇ 8" CAP
- ◇ 8" PIPE STANDS
- ◇ 8" GLOBE UMC CHECK ASSEMBLY w/ BUTTERFLY VALVE, FLOW SWITCH AND TRIM
- ◇ 6" GLOBE UMC CHECK ASSEMBLY w/ BUTTERFLY VALVE, FLOW SWITCH AND TRIM
- ◇ HYDRAULIC PLACARD
- ◇ 2" DRAIN
- ◇ 8"x6" CONCENTRIC REDUCER
- ◇ 6" FIRELOCK 90
- ◇ 6" GROOVED OUTLET



SITE PLAN

NOT TO SCALE

UNDERGROUND NOTES:

UNDERGROUND LOOP TO BE BLUBR C900 DR 18(C=150)
 ALL UNDERGROUND PIPING & VALVES IS SHOWN FOR HYDRAULIC REFERENCE ONLY, AND IS NOT PART OF SAC SCOPE OF WORK. REFERENCE UNDERGROUND DRAWINGS FOR EXACT VALVE TYPES AND THRUST BLOCK LOCATIONS.

WATER FLOW TEST	
DATE:	08.17.23
STATIC PRESSURE:	66 PSI
RESIDUAL PRESSURE:	60 PSI
FLOWING:	1061 GPM
ELEVATION:	367'
TEST BY:	MSG FIRE INC

HYDROSTATIC TEST TO BE CONDUCTED AT 225 PSI

STANDARD DRAWING SYMBOLS	TYPICAL HANGER ASSEMBLIES BY NUMBER
○-○ DENOTES CENTERLINE OF PIPE ABOVE FINISH FLOOR	01 TOP BEAM CLAMP (TRC)
○ DENOTES CENTERLINE OF PIPE BELOW TOP OF STEEL	02 SAMMY SMC-20 SIDE CONCRETE
○ DENOTES CENTERLINE OF PIPE BELOW BOTTOM OF ROUST	03 SAMMY SMC-20 STRAIGHT WOOD
○ DENOTES CENTERLINE OF PIPE BELOW BOTTOM OF BEAM	04 SAMMY SMC-20 SIDE WOOD
○ DENOTES CENTERLINE OF PIPE BELOW THE CEILING	05 SAMMY SMC-20 SIDE WOOD
○ DENOTES HANGER	06 SAMMY SWIR-SHA SIDE STEEL
○ DENOTES HANGER ROD LENGTH	07 FIRE HOSE VALVE
○ DENOTES CEILING HEIGHT	08 FIRE HYDRANT
○ HYDRAULIC CALC. REF. POINT	09 ELECTRIC BELL
○ GROOVE COUPLING	10 FLOW SWITCH
○ GROOVE CHECK VA	11 FIRE DEPT. CONN
○ FIRE HOSE VALVE CABINET	12 AUXILIARY DRAIN
○ HYDRAULIC DATA STICKER	13 HET SHOT & STIP
	14 SAMMY SMC-20 STRAIGHT CONCRETE
	15 CONCRETE/HELD DROP IN ANCHOR
	16 2-PURIN CLAMP
	17 SAMMY SMC-20 STRAIGHT LIGHT WEIGHT STEEL
	18 SAMMY SWIR-SHA SIDE, HEAVY WEIGHT STEEL

FIRE PROTECTION SPECIFICATIONS
1. DO NOT SCALE DRAWING(S).
2. ALL PIPE NOTED AS: GC=GROOVED END TO CENTER, TO PREVENT SPRINKLER PIPE FROM FREEZING.
3. DESIGN, INSTALLATION & MATERIALS TO BE PER NFPA #13 2016
4. HANGERS & ATTACHMENTS TO BE U.L. LISTED & SPACING PER NFPA #13 2016
5. ALL NEW PIPING SHALL BE HYDROSTATICALLY TESTED AT 225 PSI FOR 2 HOURS W/ NO VISIBLE SIGN OF LEAKAGE.
6. THE OWNER SHALL PROVIDE A MINIMUM OF 40' F CLEARANCE TO PREVENT SPRINKLER PIPE FROM FREEZING.
7. CONTRACTOR SHALL PROVIDE THE OWNER, INSURANCE CO., & THE PROPER CITY OFFICIALS WITH COPIES OF THE MATERIAL & TEST CERTIFICATES.
8. ALL FLOW AND TAMPERS SHALL BE SUPERVISED IN ACCORDANCE WITH NFPA 72. THIS WORK IS TO BE DONE BY OTHERS AND IS NOT PART OF S A COMUNALE CONTRACT.

MATERIAL SPECIFICATIONS
Note: 1" Pipe is 1/8" THICK
SUPPLY THE FOLLOWING
American Made (Domestic)
Sch 40 A53 Black
Sch 10 Thinwall
Sch 7
Sch 40 Galvanized
Weld-On-Late Third
Weld-On-Late Buff
Cast Iron Fittings
Galvanized Fittings
Malleable Pipe 150#
Malleable Pipe 300#
Flx Fittings
Hangers Cut Length
Hangers Center to Center
FM Approved Material Only

REVISIONS	SPRINKLER LEGEND
NO. DESCRIPTION BY DATE SYMBOL QTY.	SIGN THD K+ TEMP
1 VICTUALIC FL-GRIT/ESPR EBR BRASS PENDENT	W404 F 25.2 165'
TOTAL SPRINKLERS THIS PAGE 1026 TOTAL SPRINKLERS ON ENTIRE PROJECT	

SEISMIC DESIGN CATEGORY 'B', SEISMIC BRACING NOT REQUIRED

USE GROUP: S-1
 CONSTRUCTION TYPE: II-B
 AREA OF WORK: 963,100 SQ. FT.
 PROJECT NAME: NY154 BROOKFIELD SUFFERN
 PROJECT LOCATION: SUFFERN NY
 PROJECT ENGINEER: TIM SURMAN
 PROFESSIONAL ENGINEER NY PE LIC # 107563
 DATE SIGNED: [Signature]

S.A. COMUNALE Co. Inc. FIRE PROTECTION CONTRACTORS

2000 NEWPARK DR BARBERTON, OHIO 44203 330-706-3040 FAX: 330-861-0660
 CLEVELAND: 440-684-9355 COLUMBUS: 614-291-7901 CINCINNATI: 513-974-6289
 FREMONT: 419-254-3841 PHILADELPHIA: PA 482-642-6686 YOUNGSTOWN: 330-256-4440
 MARION: 740-383-6789 WASHINGTON, DC 410-768-1891 READING, PA: 610-670-3000

NY154 BROOKFIELD SUFFERN-- BUILDING 1
 25 OLD MILL ROAD SUFFERN, NY 20901
 DATE: 01.11.24 SCALE: 3/32" = 1'-0" DRAWN: SARAH CAREW LSR NO: 51718093 DWG. NO: 2 OF 18