


LEGEND	
M, MD	MOTORIZED DAMPER
ARCH	ARCHITECT
UP	DUCT UP
DN	DUCT DOWN
FCU	FAN COIL UNIT
LD	LINEAR DIFFUSER
CFM	CUBIC FEET PER MINUTE, AIR
R/A	RETURN AIR
S/A	SUPPLY AIR
OA	OUTSIDE AIR
EXH	EXHAUST
EG	EXHAUST GRILLE
(E)	EXISTING
(N)	NEW
(CD)	CEILING DIFFUSER
TYP.	TYPICAL
WMS	WIRE MESH SCREEN
Ø	DIAMETER OF ROUND DUCT
RTU	ROOF-TOP UNIT
ERV	ENERGY RECOVERY VENTILATOR
HWC	HOT WATER COIL
MANU.	MANUFACTURER
TEMP	TEMPERATURE
MCA	MINIMUM CIRCUIT AMPACITY
RFS	RECOMMENDED FUSE SIZE
FLA	FULL LOAD AMPERES
MOCP	MAXIMUM OVERCURRENT PROTECTION
QTY	QUANTITY
EF	EXHAUST FAN
ESP	EXTERNAL STATIC PRESSURE
EWI	ENTERING WATER TEMPERATURE
LWT	LEAVING WATER TEMPERATURE
EAT	ENTERING AIR TEMPERATURE
LAT	LEAVING AIR TEMPERATURE
	DEMOLISH HIGHLIGHTED DUCTWORK AND EQUIPMENT
FD	FIRE DAMPER
COD	CABLE-OPERATED DAMPER
HP	HEAT PUMP
	THERMOSTAT
	DUCT SMOKE DETECTOR
	CARBON DIOXIDE SENSOR
#x#	DUCT DIMENSIONS (CLEAN INSIDE DIM.)
RAG	RETURN AIR GRILLE
	NEW LOW PRESS. STEAM PIPING
	NEW LOW PRESS. CONDENSATE PIPING
	VOLUME DAMPER ACROSS DUCTWORK
	POINT OF CONNECTION, NEW WORK TO EXISTING
	SECTION LINE



PROJECT DESCRIPTION

1. THE INTENT OF THIS PROJECT IS TO UPGRADE EXISTING HVAC SYSTEMS IN THE BUILDING. THIS INCLUDES, BUT IS NOT LIMITED TO, THE FOLLOWING WORK:

- RIGGING OF NEW EQUIPMENT ONTO ROOF OF BUILDING
- NEW STRUCTURAL STEEL DUNNAGE (REFER TO STRUCTURAL PLANS)
- NEW GALVANIZED SHEET METAL DUCTWORK WHERE INDICATED
- NEW DUCT MOUNTED STEAM COIL WHERE INDICATED
- AIR TESTING AND BALANCING
- NEW DDC CONTROLS FOR ALL EQUIPMENT, EQUIPMENT STARTUP AND TESTING BY FACTORY AUTHORIZED REPRESENTATIVES.
- CLOSEOUT PACKAGE INCLUDING CUT SHEETS, AS BUILT DRAWINGS AND WARRANTY INFORMATION.
- OWNER TRAINING ON NEW EQUIPMENT AND CONTROLS.

2. IN ADDITION TO EQUIPMENT SUBMITTALS CONTRACTOR SHALL ISSUE A 3/8" SCALE PIPING SHOP DRAWING TO ENGINEER FOR REVIEW AND APPROVAL PRIOR TO COMMENCEMENT OF WORK.

3. CONTRACTOR SHALL NOTE THAT EXISTING BAS HARDWARE IS MANUFACTURED BY ANDOVER. CONTRACTOR SHALL PROVIDE ALLOWANCE FOR HVAC CONTROLS AS INDICATED IN FRONT END SPECIFICATIONS.

ATC CONTRACTOR SHALL FURNISH AND INSTALL ALL HARDWARE AND WIRING REQUIRED FOR CONTROL AND MONITORING OF NEW HVAC EQUIPMENT. ATC CONTRACTOR SHALL DO ALL PROGRAMMING, BUILD ALL GRAPHICS FOR NEW EQUIPMENT AND UPDATE THERMAL FLOOR PLANS FOR NEW TEMPERATURE ZONES. ESTABLISH OCCUPANCY SCHEDULES WITH OWNER AND ROUTING OF ALARMS.

REFER TO CONTROLS DIAGRAM (SHEET M-102) FOR ADDITIONAL INFORMATION.

PROJECT NOTES:

1. ALL BIDDERS SHALL VISIT PROJECT SITE TO THOROUGHLY FAMILIARIZE THEMSELVES WITH EXISTING CONDITIONS. CLAIMS FOR EXTRA PAYMENTS FOR WORK, WHICH COULD HAVE BEEN IDENTIFIED VIA CAREFUL SITE INSPECTION, WILL NOT BE ACKNOWLEDGED.
2. PRIOR TO COMMENCEMENT OF WORK, CONTRACTOR SHALL PREPARE EQUIPMENT SUBMITTALS PER SPECIFICATIONS AND SUBMIT TO DESIGN ENGINEER FOR REVIEW/APPROVAL.
3. UPON COMPLETION OF WORK, CONTRACTOR SHALL SUBMIT AS-BUILTS DRAWINGS IN ACCORDANCE WITH SPECIFICATIONS.
4. PRIOR TO CLOSEOUT, CONTRACTOR SHALL SUBMIT OPERATION AND MAINTENANCE MANUAL TO ENGINEER FOR APPROVAL. FOLLOWING APPROVAL, CONTRACTOR SHALL DELIVER (1) HARD COPY AND (1) DIGITAL COPY ON THUMB DRIVE TO OWNER.

AS PER USA CONGRESS ARCHITECTURAL WORKS COPYRIGHT PROTECTION ACT OF 1990 ALL IDEAS AND DESIGNS INCLUDING DERIVATIVES THEREOF, ALL DRAWINGS AND SPECIFICATIONS CONSTITUTE THE ORIGINAL COPYRIGHT WORK BY FULLER AND D'ANGELO, P.C. (FAD). THE DRAWINGS AND SPECIFICATIONS AS INSTRUMENTS OF SERVICE BY FAD ARE CREATED BY FAD FOR THIS PROJECT ONLY AND REMAIN THE PROPERTY AND PROPERTY OF FAD. ANY REPRODUCTION WITHOUT THE PRIOR CONSENT OF FAD IS PROHIBITED.

48 SULLYWOOD ROAD ELIZABETH NEW JERSEY 07208
TEL: 973-989-4444 FAX: 973-989-1919
Copyright © 2022. All Rights Reserved by FULLER & D'ANGELO, P.C.

**FULLER
D'ANGELO
P.C.**
**ARCHITECTS
PLANNERS**

LFG
LANDMARK
FACILITIES
GROUP, INC.
252 East Avenue
Elizabeth, NJ 07208
(201) 866-4028 FAX
(201) 866-8019 Fax

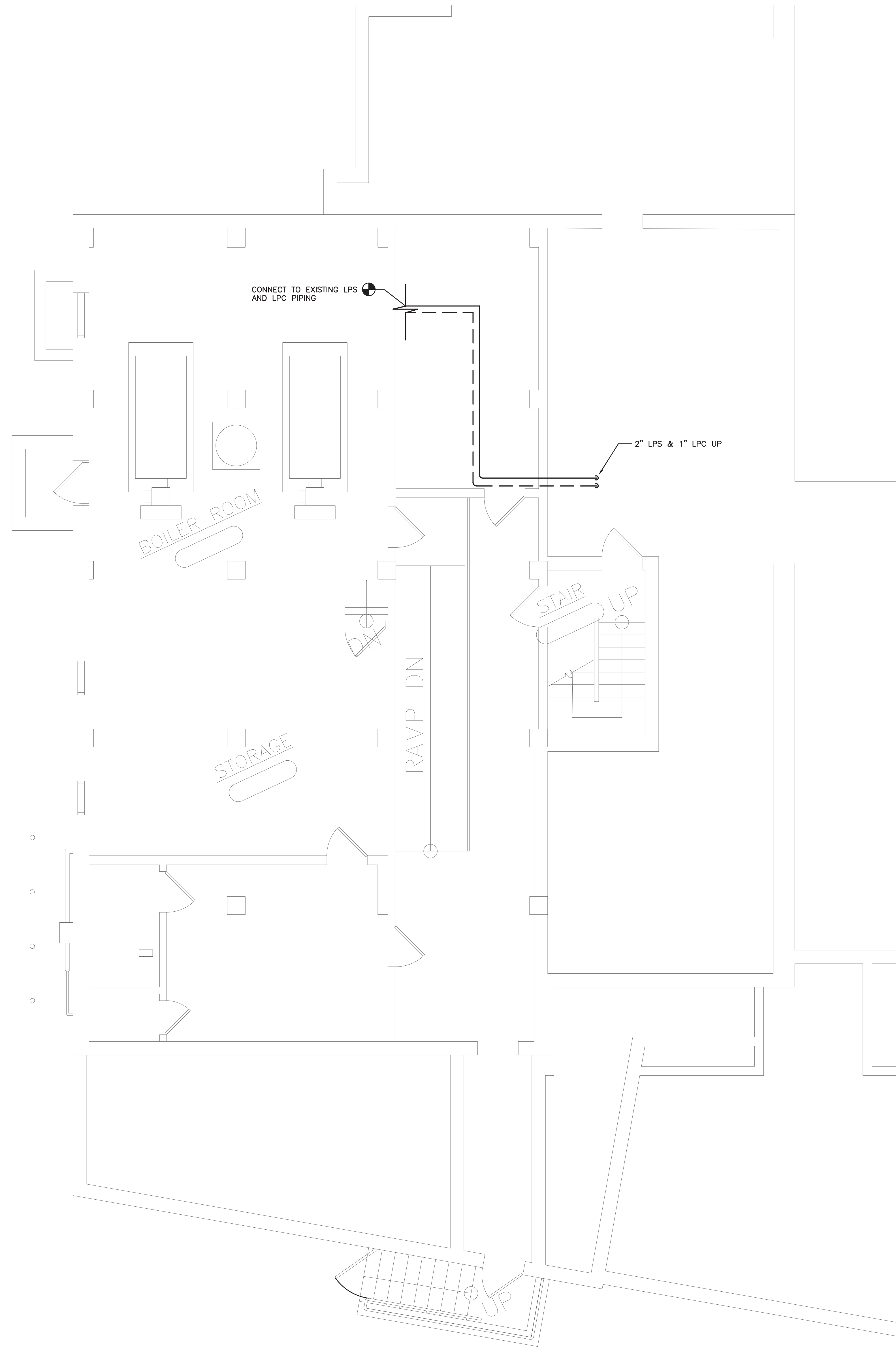
LICENSE EXP. DATE: 03-31-2026

S.E.D. CONTROL NUMBER:
GREENVILLE ELEMENTARY SCHOOL
09-04-06-03-0-008-021

PROJECT TITLE
EDGEMONT SCHOOL DISTRICT
GREENVILLE ELEMENTARY SCHOOL
CAFETERIA RENOVATION

DRAWING TITLE
MECHANICAL NOTES & LEGEND

01-31-2025	BID
01-10-2022	SED SUBMISSION
DATE	ISSUED TO
SHEET SIZE 30"x42"	DRAWING NO. GVES M001
SCALE AS NOTED	FILE NO. 24529.01
DRAWN BY LFG	



BASEMENT MECHANICAL PLAN
 1 SCALE: 1/4" = 1'-0"

NOTES:

1. REFER TO WRITTEN (BOOK) SPECS FOR ADDITIONAL INFORMATION.
2. CONTRACTOR SHALL NOTE THAT EXISTING PIPE AND DUCT INSULATION HAS TESTED POSITIVE AS CONTAINING ASBESTOS. ABATEMENT TO BE PERFORMED BY OTHERS AND CONTRACTOR SHALL COORDINATE TIMING OF THIS WORK WITH NEW MECHANICAL WORK TO AVOID ANY CONFLICTS.

AS PER USA CONGRESS ARCHITECTURAL WORKS COPYRIGHT PROTECTION ACT OF 1990 ALL IDEAS AND DESIGNS INCLUDING DERIVATIVES THEREOF, ALL DRAWINGS AND SPECIFICATIONS CONSTITUTE THE ORIGINAL COPYRIGHT WORK BY FULLER AND D'ANGELO, P.C. (F&D). THE DRAWINGS AND SPECIFICATIONS AS INSTRUMENTS OF SERVICE BY F&D ARE CREATED BY F&D FOR THIS PROJECT ONLY AND REMAIN THE PRODUCT AND PROPERTY OF F&D. ANY REPRODUCTION WITHOUT THE PRIOR CONSENT OF F&D IS PROHIBITED.

48 SULLYWOOD ROAD ELLENBORO NEW YORK 10829
 TEL: 914.899.4444 FAX: 914.899.1919
 Copyright © 2022 All Rights Reserved by FULLER & D'ANGELO, P.C.

FULLER D'ANGELO P.C.
ARCHITECTS PLANNERS

LFG LANDMARK FACILITIES GROUP, INC.
 252 East Avenue
 Greenville, SC 29615
 (253) 866-4028 FAX
 (253) 866-8019 Fax

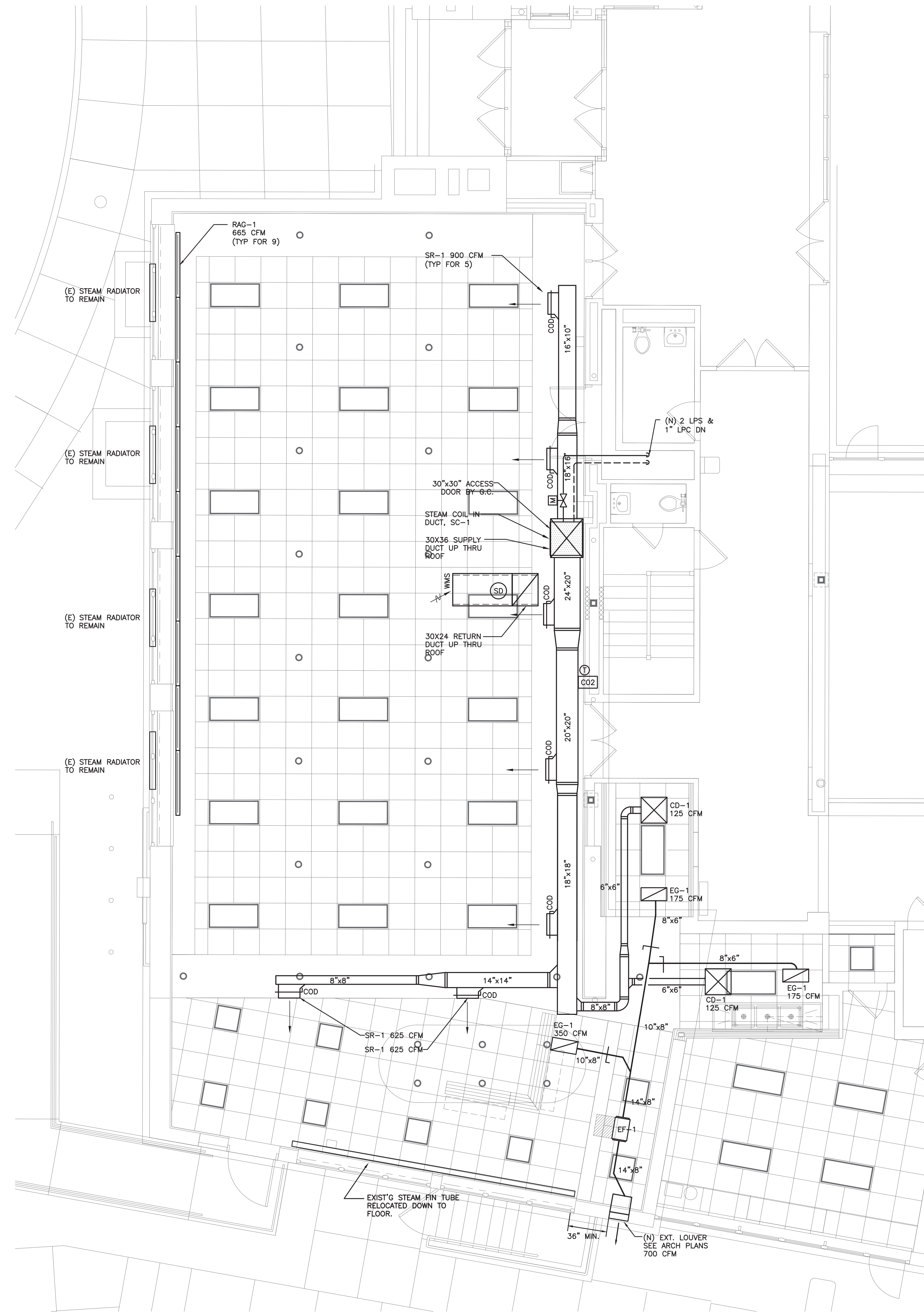
LICENSE EXP. DATE: 03-31-2026

S.E.D. CONTROL NUMBER:
 GREENVILLE ELEMENTARY SCHOOL
 06-04-06-03-0-008-021

PROJECT TITLE:
 EDGEMONT SCHOOL DISTRICT
 GREENVILLE ELEMENTARY SCHOOL
 CAFETERIA RENOVATION

DRAWING TITLE:
 BASEMENT
 MECHANICAL PLAN

01-31-2025	BID
01-10-2022	SED SUBMISSION
DATE	ISSUED TO
SHEET SIZE 30"x42"	DRAWING NO. GVES M100
SCALE AS NOTED	FILE NO. 24529.01
DRAWN BY LFG	



- NOTES:**
- REFER TO WRITTEN (BOOK) SPECS FOR ADDITIONAL INFORMATION.
 - DUCTWORK SHALL BE INSTALLED TIGHT TO HUNG CEILING AS POSSIBLE. MAKE TRANSITIONS TO INLET AND OUTLET OF STEAM COIL IN LEAST AMOUNT OF VERTICAL SPACE. EXPOSED SPIRAL DUCT SHALL BE FURNISHED WITH "PAINT GRIP" FINISH SUITABLE FOR FIELD PAINTING BY GC. DUCTWORK SHALL BE DOUBLE WALL TYPE WITH INTEGRAL INSULATION.
 - CONTRACTOR SHALL COORDINATE INSTALLATION OF ALL WALL MOUNTED DEVICES (IE. THERMSTATS) WITH ARCHITECT & DESIGN ENGINEER PRIOR TO ROUGHING WIRING.
 - ALL BRANCH DUCTS SHALL BE EQUIPPED WITH VOLUME DAMPERS WHETHER INDICATED ON PLANS OR NOT. DUCTS ABOVE HARD CEILINGS (INCLUDING SOFFITS) SHALL BE CABLE-OPERATED DAMPERS.
 - ALL DUCTWORK WITHIN 15 FT OF FANS SHALL BE INTERNALLY LINED WITH 1" LINER FOR ACOUSTICS.

FIRST FLOOR MECHANICAL PLAN
 SCALE: 1/4" = 1'-0"

PLOT DATE: January 17, 2025 - 5:10pm

AS PER USA CONGRESS ARCHITECTURAL WORKS COPYRIGHT PROTECTION ACT OF 1990 ALL IDEAS AND DESIGNS INCLUDING DERIVATIVES THEREOF, ALL DRAWINGS AND SPECIFICATIONS CONSTITUTE THE ORIGINAL COPYRIGHT WORK BY FULLER AND D'ANGELO, P.C. (F&D). THE DRAWINGS AND SPECIFICATIONS AS INSTRUMENTS OF SERVICE BY F&D ARE CREATED BY F&D FOR THIS PROJECT ONLY AND REMAIN THE PRODUCT AND PROPERTY OF F&D. ANY REPRODUCTION WITHOUT THE PRIOR CONSENT OF F&D IS PROHIBITED.

48 KIDWILLOW ROAD ELLENBORO NEW YORK 13828
 TEL: 814.898.4444 FAX: 814.898.1919
 Copyright 2022 All Rights Reserved by FULLER & D'ANGELO, P.C.

**FULLER
 D'ANGELO
 P.C.**

**ARCHITECTS
 PLANNERS**

LFG
 LANDMARK
 FACILITIES
 GROUP, INC.

252 East Avenue
 SUITE 205
 (203) 866-4028 FAX
 (203) 866-8019 Fax

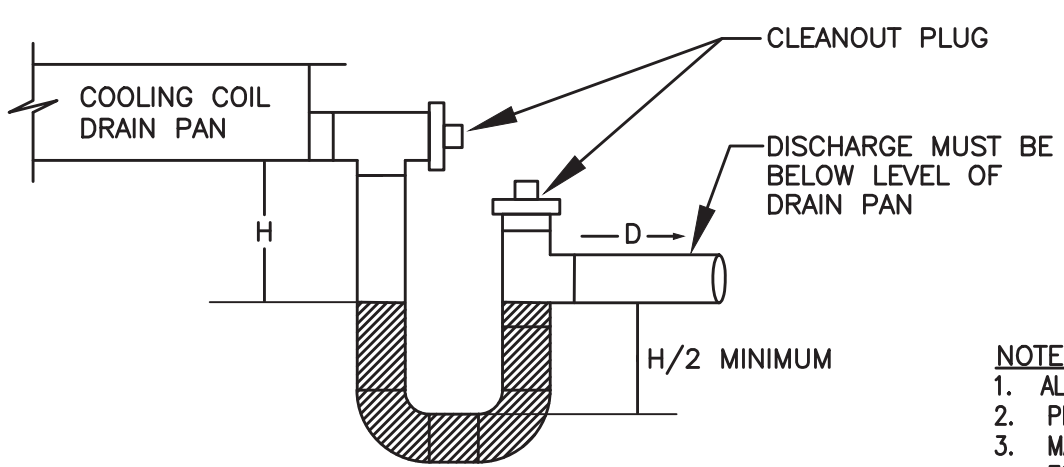
LICENSE EXP. DATE: 03-31-2026

S.E.D. CONTROL NUMBER:
 GREENVILLE ELEMENTARY SCHOOL
 86-04-06-03-0-008-021

PROJECT TITLE:
 EDMONT SCHOOL DISTRICT
 GREENVILLE ELEMENTARY SCHOOL
 CAFETERIA RENOVATION

DRAWING TITLE:
 FIRST FLOOR
 MECHANICAL RCP

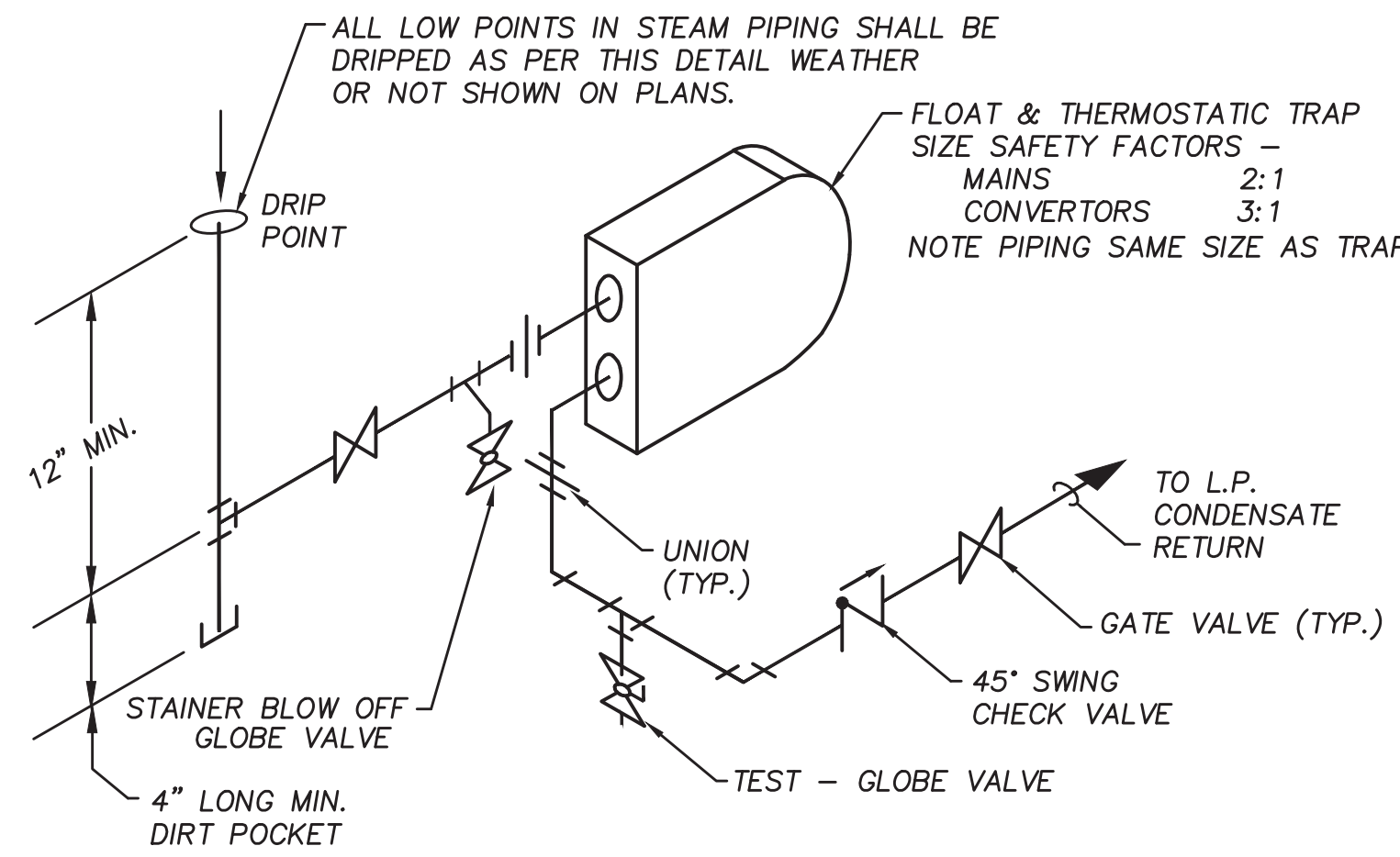
01-31-2025	BID
01-10-2022	SED SUBMISSION
DATE	ISSUED TO
SHEET SIZE 30"x42"	DRAWING NO. GVES M101
SCALE AS NOTED	FILE NO. 24529.01
DRAWN BY LFG	



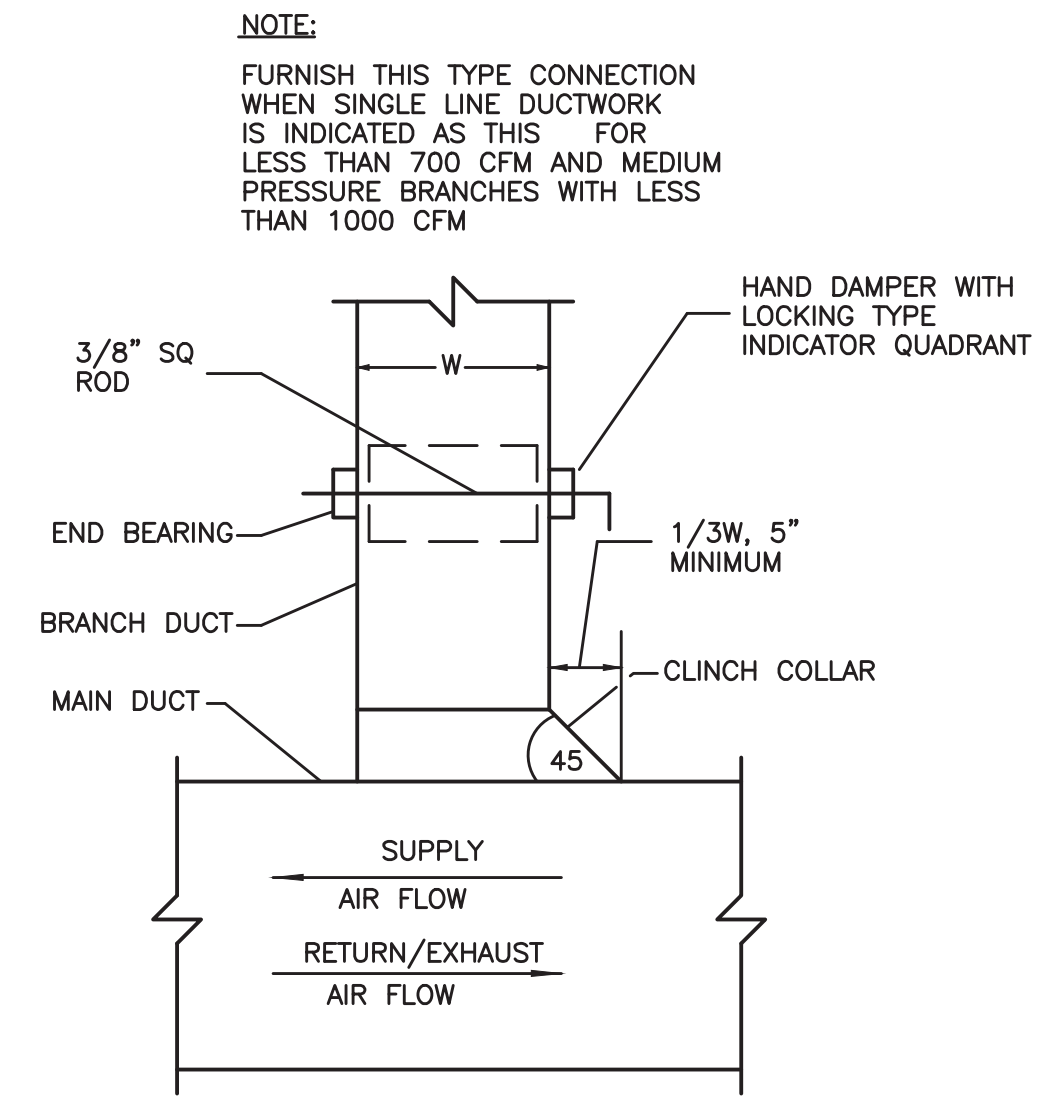
H = FAN INLET PRESSURE (IN. W.C.) + 1 IN.

**CONDENSATE TRAP DETAIL
DRAW-THRU UNIT**
NO SCALE

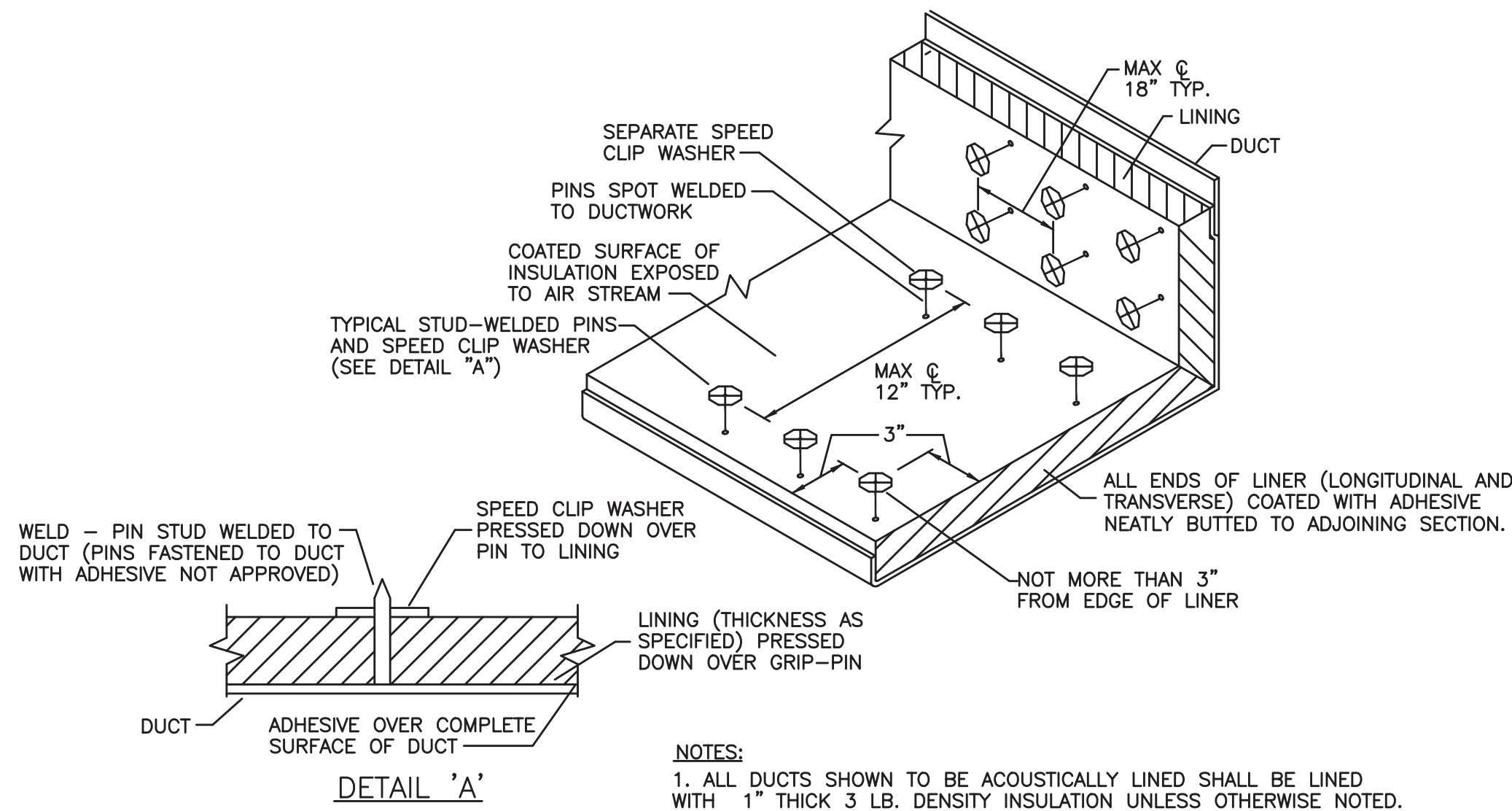
- NOTES:
1. ALLOW SUFFICIENT SPACE BELOW DRAIN PAN FOR TRAP.
 2. PITCH DRAIN FOR PROPER RUN-OFF.
 3. MANUALLY PRIME FILL TRAP BEFORE START-UP TO FORM INITIAL DRAIN SEAL.
 4. SUPPORT LENGTHY DRAIN LINES TO PREVENT SAG AND CONDENSATE OVERFLOW.
 5. FOR PIPING ON ROOF, ROUTE CONDENSATE PIPING TO WITHIN 5FT OF ROOF DRAIN.



LOW PRESSURE STEAM MAIN DRIP DETAIL
N.T.S.

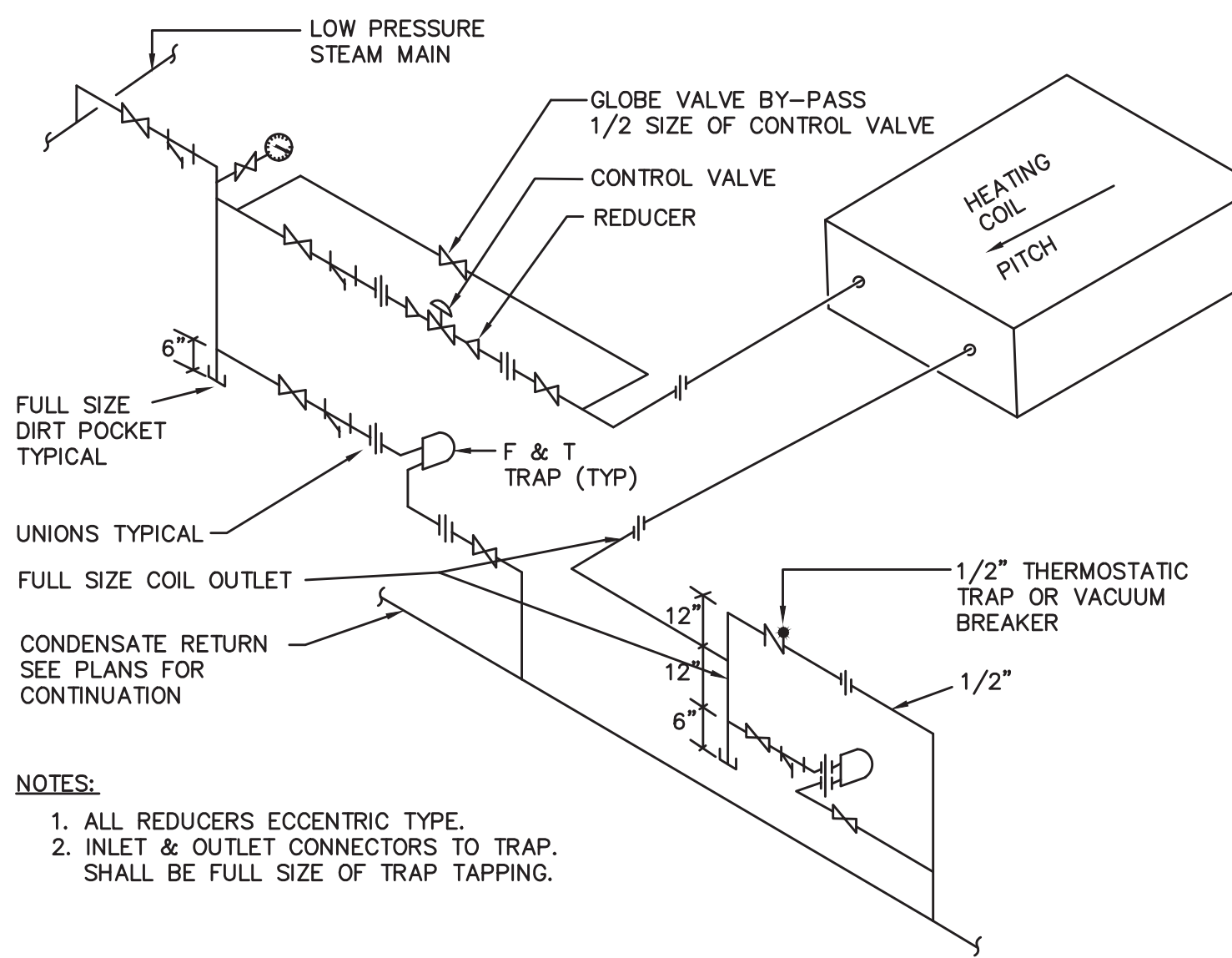


RECTANGULAR DUCT TAP
NO SCALE



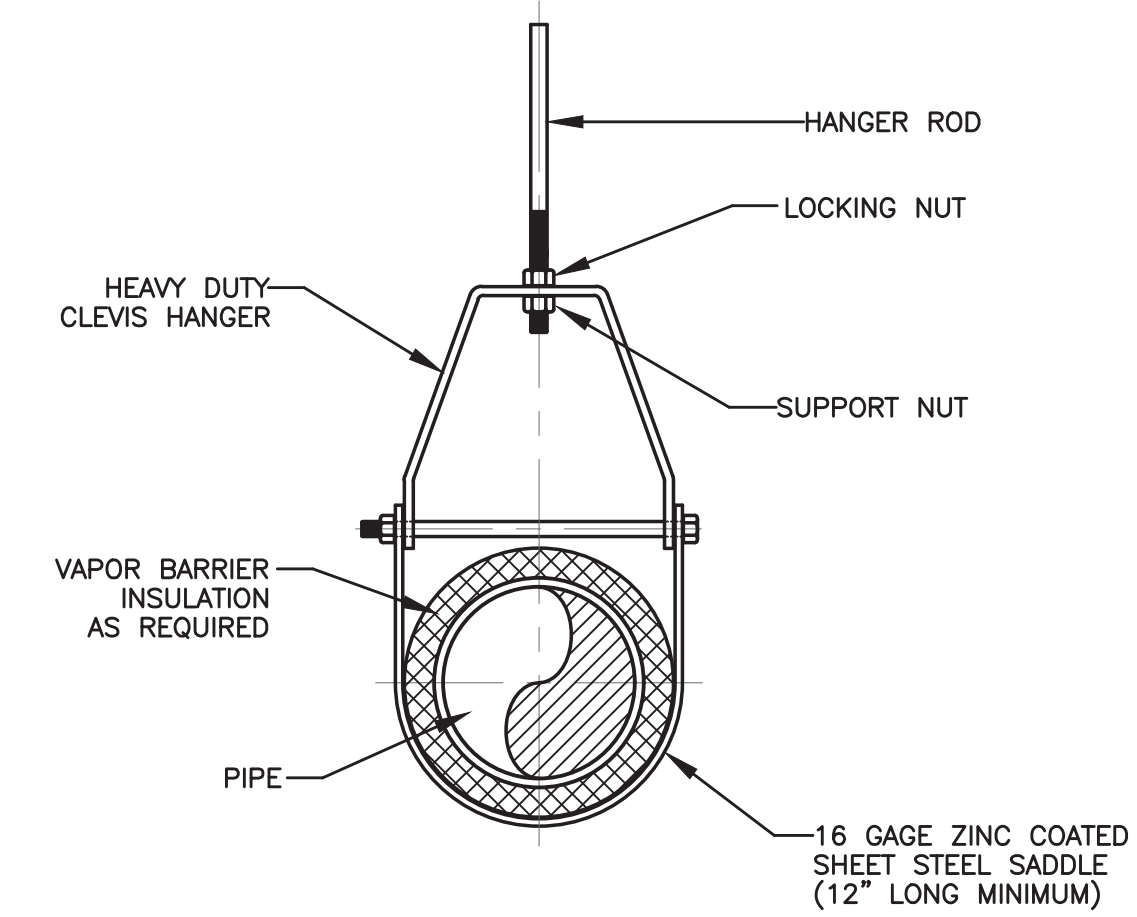
DETAIL 'A'
SOUND LINING INSTALLATION DETAIL
NO SCALE

- NOTES:
1. ALL DUCTS SHOWN TO BE ACOUSTICALLY LINED SHALL BE LINED WITH 1\"/>



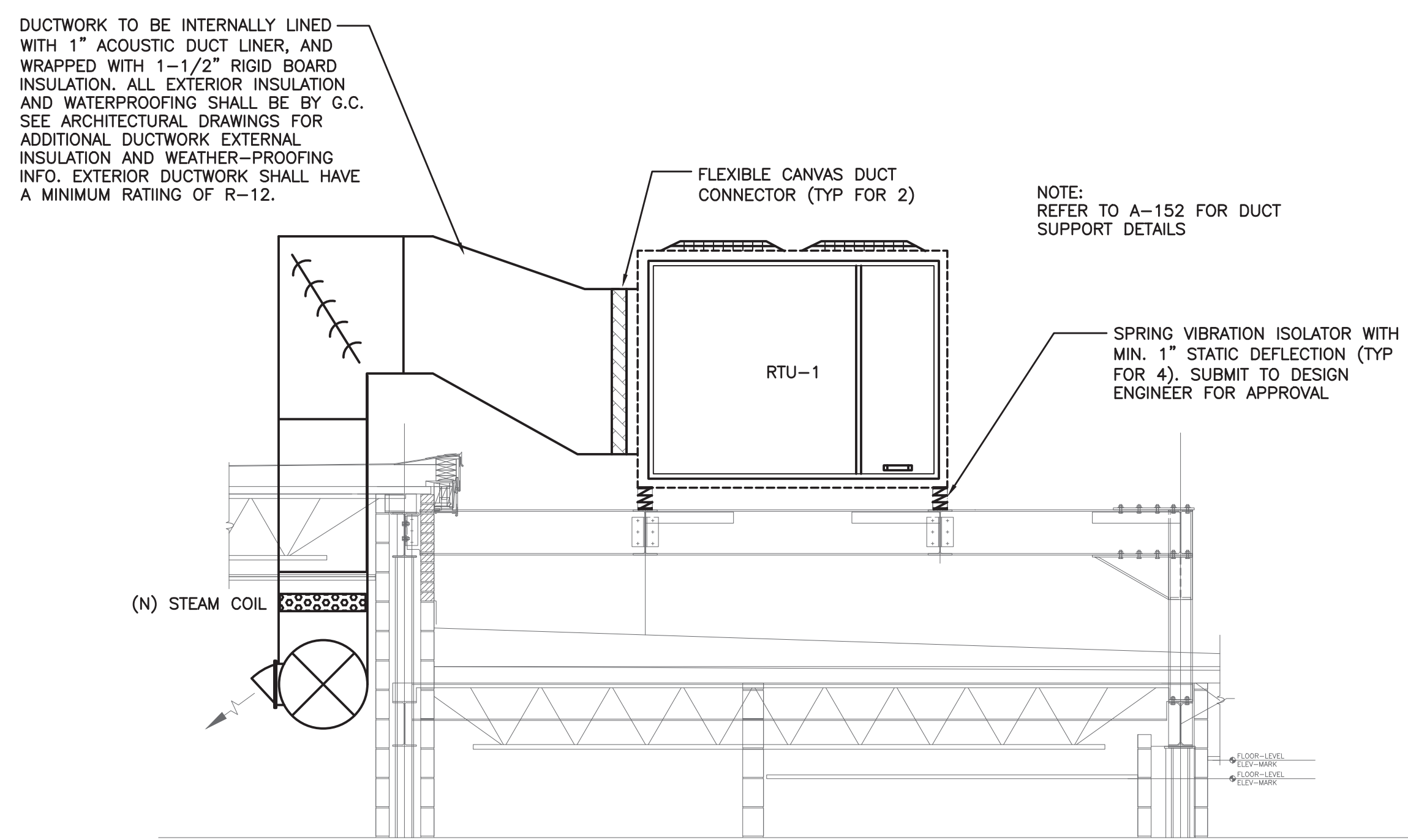
- NOTES:
1. ALL REDUCERS ECCENTRIC TYPE.
 2. INLET & OUTLET CONNECTORS TO TRAP, SHALL BE FULL SIZE OF TRAP TAPPING.

HORIZONTAL STEAM HEATING COIL PIPING
N.T.S.

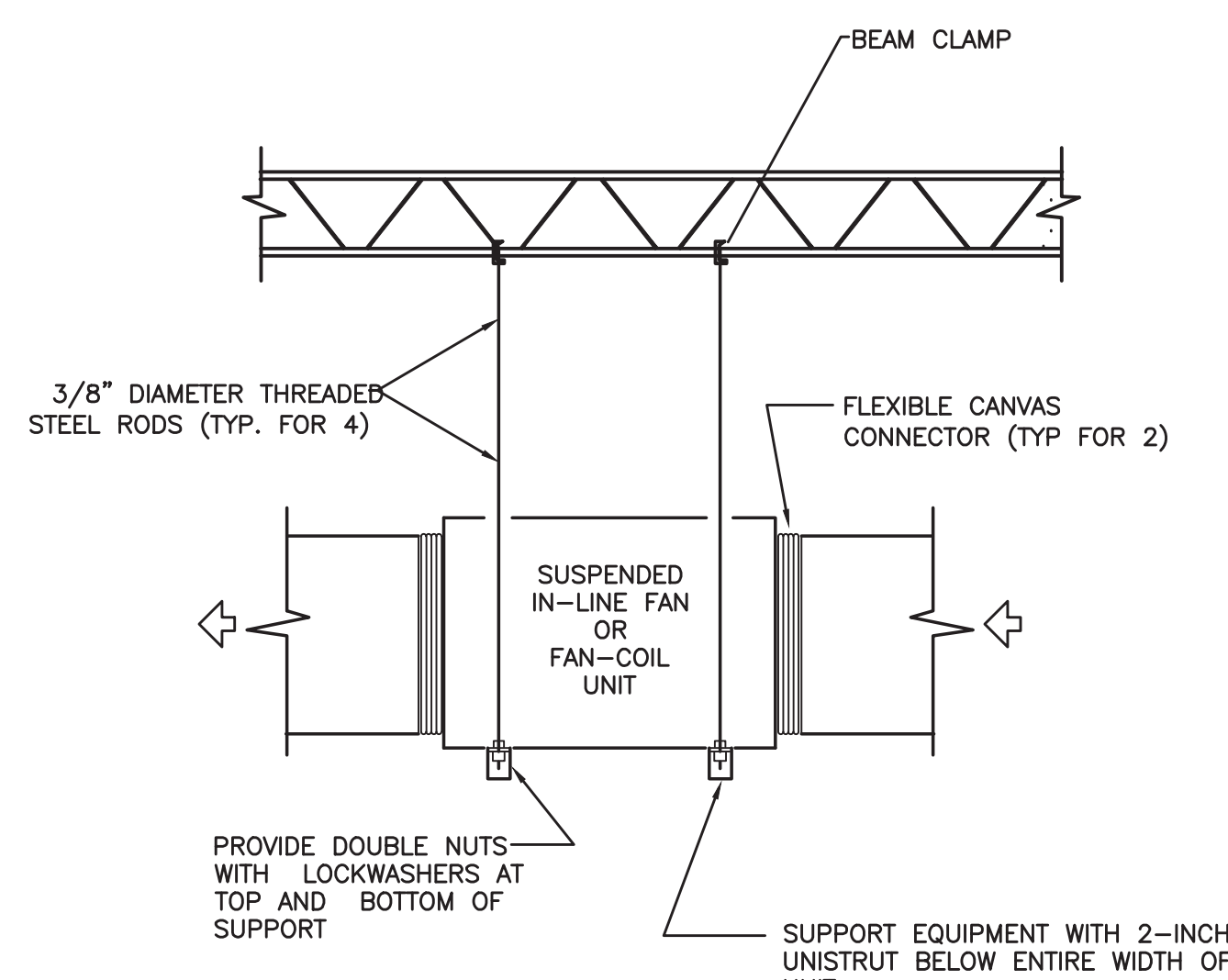


HANGER ROD SCHEDULE			
PIPE SIZE	ROD SIZE	PIPE SIZE	ROD SIZE
UP TO 2"	3/8" DIA.	4" THRU 5"	5/8" DIA.
2 1/2" THRU 3"	1/2" DIA.	6" THRU 12"	7/8" DIA.

CLEVIS HANGER
HORIZONTAL RUNS



ROOFTOP UNIT INSTALLATION DETAIL
NO SCALE



INLINE FAN SUPPORT DETAIL
TYPICAL FOR CEILING-MOUNTED FAN-COIL UNITS AND EXHAUST FANS
NO SCALE

PLOT DATE: January 17, 2025 - 5:17pm

FILE: N:\Edgemont School District\Greenville Elementary\Cafeteria Reno\ACAD\Mechanical\GV_CAFE_M001_M300.dwg

AS PER USA CONGRESS ARCHITECTURAL WORKS COPYRIGHT PROTECTION ACT OF 1990 ALL IDEAS AND DESIGNS INCLUDING DERIVATIVES THEREOF, ALL DRAWINGS AND SPECIFICATIONS CONSTITUTE THE ORIGINAL COPYRIGHT WORK BY FULLER AND D'ANGELO, P.C. (F&D). THE DRAWINGS AND SPECIFICATIONS AS INSTRUMENTS OF SERVICE BY F&D ARE CREATED BY F&D FOR THIS PROJECT ONLY AND REMAIN THE PROPERTY OF F&D. ANY REPRODUCTION WITHOUT THE PRIOR CONSENT OF F&D IS PROHIBITED.

480 SHILLINGTON ROAD, ELLENHURST, NEW YORK 11538
TEL: 516.899.4444 FAX: 516.899.1919
Copyright © 2022. All Rights Reserved by FULLER & D'ANGELO, P.C.

**FULLER
D'ANGELO
P.C.**
ARCHITECTS
PLANNERS

LFG
LANDMARK
FACILITIES
GROUP, INC.
252 East Avenue
Greenville, SC 29615
(252) 866-8028 FAX
(252) 866-8019 Fax

LICENSE EXP. DATE: 03-31-2026

S.E.D. CONTROL NUMBER:
GREENVILLE ELEMENTARY SCHOOL
66-04-06-03-0-008-021

PROJECT TITLE:
EDGEMONT SCHOOL DISTRICT
GREENVILLE ELEMENTARY SCHOOL
CAFETERIA RENOVATION

DRAWING TITLE:
MECHANICAL DETAILS

01-31-2025 BID
01-10-2022 SED SUBMISSION
DATE ISSUED TO

SHEET SIZE: 30"x42"
SCALE: AS NOTED
DRAWN BY: LFG

DRAWING NO.: **GVES
M200**
FILE NO.: **24529.01**

NEW PACKAGED ROOFTOP UNIT WITH ENERGY RECOVERY SCHEDULE																				
TAG	MFG	MODEL NO.	AIR FLOW (CFM)		MOTOR HP	ESP (IN. WC)	COOLING					OUTSIDE AIR TEMP	SUPPLY AIR TEMP (DB/WB)	VOLTAGE/PH	MCA	MOCP	WEIGHT (LBS)	NOTES		
			TOTAL	OUTDOOR			TOTAL (MBH)	SENSIBLE (MBH)	ENT. AIR DB	LEAV. AIR WB	EER									
RTU-1	TRANE	THH180G3R0D	6065	2995	3.0	1.5	182.62	148.32	79.4	66.3	59.96	57.95	12.1	95.0	62.06/58.75	208/3	73.0	100.0	3141	1,2,3,4,5,6

NOTES:
1. UNIT SHALL BE EQUIPPED WITH ENERGY RECOVERY WHEEL.
2. PROVIDE WALL MOUNT CO2 SENSOR FOR DEMAND CONTROL VENTILATION.
3. REFER TO RTU MOUNTING DETAIL FOR ADDITIONAL INFORMATION.
4. UNIT SHALL BE FURNISHED WITH FACTORY BACNET CARD. COORDINATE WITH ATC VENDOR PRIOR TO ORDERING.
5. MAINTAIN MANUFACTURER'S RECOMMENDED SERVICE CLEARANCE ON ALL SIDES.
6. UNIT SHALL BE FURNISHED WITH FACTORY GFI RECEPTACLE FOR SERVICE.

STEAM HEATING COIL SCHEDULE													
TAG	MFG	MODEL	TYPE	CFM	P.D. (IN. WC)	CAPACITY (MBH)	EAT DB	LAT DB	STEAM PRESS. (PSI)	AIR VELOCITY (FPM)	ROWS	FPI	AREA SERVED
SC-1	CAPITOL COIL	MB-3024-14A-HCA-R	HORIZONTAL	6000	0.69	233.2	50.6	86.5	2.0	1200	1	14	CAFETERIA

NOTES:
1. REFER TO STEAM COIL DETAIL FOR ADDITIONAL INFORMATION.
2. PROVIDE MOTORIZED MODULATING CONTROL VALVE AS MANUFACTURED BY BELIMO.

EXHAUST FAN SCHEDULE										
TAG	SERVICE	LOCATION	MFG	MODEL	AIR FLOW (CFM)	STATIC PRESS. (IN. H2O)	RPM	HP	VOLTAGE	FLA
EF-1	CAFETERIA	CEILING	COOK	100SQN17DEC	700	0.40	1725	1/4	115-1-60	5.8

NOTES:
1. PROVIDE FACTORY BACKDRAFT DAMPER.
2. PROVIDE VARIABLE SPEED ECM MOTOR WITH SPEED CONTROL.
3. FAN SHALL BE TIED TO BAS AND SCHEDULED TO RUN ONLY DURING SERVING TIMES (E. 11:30A-1P).

EXTERIOR LOUVER SCHEDULE	
TAG	EL-1
PRODUCT TYPE	DRAINABLE LOUVER
MANUFACTURER	AIROLITE
MODEL	K6744
AREA (IN. X IN.)	18 X 18
DEPTH (IN.)	4
FREE AREA (%)	56

NOTES:
1. LOUVER SHALL BE FURNISHED WITH INSECT SCREEN.
2. PROVIDE KYNAR FINISH & REFER TO ARCHITECTURAL PLANS FOR COLOR.

VENTILATION AIR REQUIREMENTS										
Project:	Greenville Elementary Cafeteria Renovation			State:	New York		Relevant Code:	IMC 2020		
HVAC ZONE	AREA SERVED	OCCUPANCY CLASSIFICATION	OCCUPANT DENSITY (#/1000 SQFT)	OCCUPANT LOAD Pz (Az)	REQUIRED VENTILATION Rp / Ra	ZONE AIR DIST. EFFECTIVENESS (Ez)	O.A./E.A. REQUIRED (CFM) Vbz	O.A./E.A. DESIGN (CFM)	REMARKS	
Zone 1	[128] CAFETERIA	Cafeteria	-	161 (2547.94 SF)	7.5 CFM/PERSON 0.18 CFM/SF	0.8	2083	2085	1	
	[C13.3] KITCHEN GALLEY	Kitchens	20	2 (71.18 SF)	7.5 CFM/PERSON 0.12 CFM/SF	0.8	29	30		
CALCULATED OUTSIDE/MAKEUP AIR FOR SYSTEM TOTAL							2112	2115		

REMARKS:
1. OCCUPANCY DETERMINED BY EXPECTED NUMBER OF SEATS IN THE SPACE

AIR OUTLET SCHEDULE					
TAG	MFG	MODEL	AIRFLOW (CFM)	SIZE	NOTES
SR-1	TITUS	DL	SEE DWGS	20X12	
CD-1	TITUS	OMNI	SEE DWGS	24X24	
RAG-1	TITUS	MLR-39	SEE DWGS	5FT LONG	(3) 1" SLOTS
EG-1	TITUS	350RL	SEE DWGS	24X12	

NOTES:
1. ALL AIR OUTLETS SHALL BE WHITE UNLESS OTHERWISE NOTED ON PLANS.

BRANCH DUCT SCHEDULE	
AIR FLOW (CFM)	ROUND DUCT SIZE (IN.)
0-105	6
106-160	7
161-230	8
231-320	9
321-420	10
421-685	12
686-1025	14
1026-1450	16
1451-2000	18

NOTES:
1. WHETHER OR NOT INDICATED ON PLANS, CONTRACTOR SHALL FURNISH AND INSTALL MANUAL VOLUME DAMPERS IN ALL SUPPLY AND RETURN BRANCH DUCTS.

AS PER USA CONGRESS ARCHITECTURAL WORKS COPYRIGHT PROTECTION ACT OF 1990 ALL IDEAS AND DESIGNS INCLUDING DERIVATIVES THEREOF, ALL DRAWINGS AND SPECIFICATIONS CONSTITUTE THE ORIGINAL COPYRIGHT WORK BY FULLER AND D'ANGELO, P.C. (FAD). THE DRAWINGS AND SPECIFICATIONS AS INSTRUMENTS OF SERVICE BY FAD ARE CREATED BY FAD FOR THIS PROJECT ONLY AND REMAIN THE PROPERTY AND PROPERTY OF FAD. ANY REPRODUCTION WITHOUT THE PRIOR CONSENT OF FAD IS PROHIBITED.

48 SULLYWOOD ROAD ELMSFORD NEW YORK 11010
TEL: 914.899.4444 FAX: 914.899.1717
Copyright 2022. All Rights Reserved by FULLER & D'ANGELO, P.C.

FULLER
D'ANGELO
P.C.
ARCHITECTS
PLANNERS

LFGL
LANDMARK
FACILITIES
GROUP, INC.
252 East Avenue
Elmsford, NY 11010
(914) 899-4444
(914) 899-1717

LICENSE EXP. DATE: 03-31-2026

S.E.D. CONTROL NUMBER:
GREENVILLE ELEMENTARY SCHOOL
00-04-06-03-0-008-021

PROJECT:
EDGEMONT SCHOOL DISTRICT
GREENVILLE ELEMENTARY SCHOOL
CAFETERIA RENOVATION

DRAWING TITLE:
MECHANICAL SCHEDULES

01-31-2025	BID
01-10-2022	SED SUBMISSION
DATE	ISSUED TO
SHEET SIZE 30"x42"	DRAWING NO. GVES M300
SCALE AS NOTED	FILE NO. 24529.01
DRAWN BY LFG	