



NEW YORK OKLAHOMA
KSQ Design
 215 W 40th Street 15th Floor
 New York, NY 10018
 646.425.0600 office
 www.ksqdesign.com

Owner
Nanuet Union Free School District
 101 Church Street
 Nanuet, NY 10954
 845.627.3880
 www.nanuet.org

Structural Engineer
Clapper Structural Engineering
 160 Partison Street
 Saugerties, NY 12477
 845.943.9601
 www.clapperstructural.com

MEP Engineer
Sage Engineering Associates, LLP
 9 Columbia Circle
 Albany NY 12203
 518.453.8000
 www.sage26.com

Environmental Engineer
Quest Environmental Solutions
 1376 Route 9
 Wappingers Falls, NY 12590
 845.258.6251
 www.qualityenv.com

Construction Manager
Jacobs
 One Perrin Plaza
 24th Floor, Suite 2400
 New York, NY 10119
 646.908.8550
 www.jacobs.com

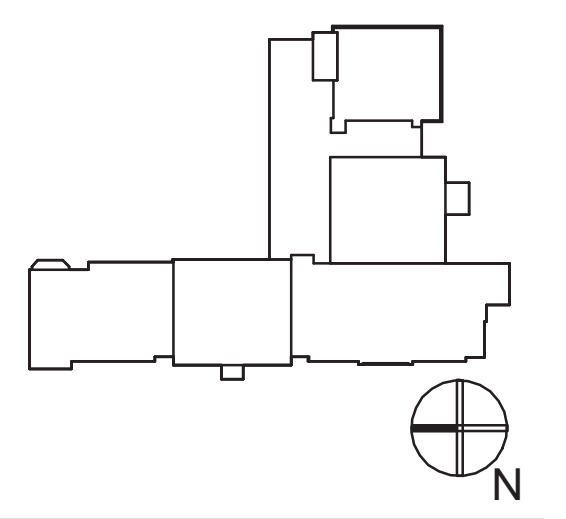


NUFSD BOND PROJECT PHASE 5 - HIGHVIEW

- SED#50-01-08-03-0-002-000 (HIGHVIEW ES)
- SED#50-01-08-03-7-001-000 (Middletown)
- SED#50-01-08-03-7-012-004 (DEC)
- SED#50-01-08-03-0-011-005 (MILLER ES)
- SED#50-01-08-03-0-004-022 (BARR MS)

- Highview Elementary School**
24 Highview Ave
Nanuet, NY 10954
- OEC Building**
135 Convent Rd
Nanuet, NY 10954
- Maintenance Building**
103 Church St
Nanuet, NY 10954
- Miller Elementary School**
50 Blauvelt Rd Unit1
Nanuet, NY 10954
- A MacArthur Barr Middle School**
143 Church St
Nanuet, NY 10954

KEY PLAN



REVISIONS

No.	Description	Date

ISSUED: BID SET
DATE: 06/21/2024
SCALE: NTS
SHEET NAME:
LEGENDS, SCHEDULES, AND DETAILS
SHEET NUMBER:

HE-P001

ISSUE FOR BID SET

ABBREVIATIONS LEGEND

- AFF ABOVE FINISHED FLOOR
- AFB ABOVE FINISHED GRADE
- AVG AVERAGE
- BFF BELOW FINISHED FLOOR
- BHP BRAKE HORSEPOWER
- BOP BOTTOM OF PIPE
- BTM BOTTOM
- BTUH BRITISH THERMAL UNIT/SHOUR
- CAP CAPACITY
- CO CLEAN OUT
- CONT CONTINUATION
- CW DOMESTIC COLD WATER
- DCW DOMESTIC COLD WATER
- DIA DIAMETER
- DN DOWN
- DPCO DECK PLATE CLEAN OUT
- DWS DRAINING
- ES EMERGENCY EYE WASH/SHOWER STATION
- ET EXPANSION TANK
- EWT ENTERING WATER TEMPERATURE
- EXIST EXISTING
- F FEGRESS FAHRENHEIT
- FAI FRESH AIR INTAKE
- FD FLOOR DRAIN
- FLR FULL LOAD AMPS
- FT OR' FEET
- G GAS
- GAL GALLON
- GPH GALLONS PER HOUR
- GPM GALLONS PER MINUTE
- HB HOSE BIB
- HP HORSEPOWER
- HR HOUR
- HW DOMESTIC HOT WATER
- HWR HOT WATER RECIRCULATION
- HZ HERTZ
- IN OR" INCHES
- INT INTERNAL
- IW INDIRECT WASTE
- KSK KITCHEN SINK
- KW KILOWATT
- L LENGTH
- LAV LAVATORY
- LAT LEAVING AIR TEMPERATURE
- LBS POUNDS
- LF LINEAR FOOT
- LWT LEAVING WATER TEMPERATURE
- MBS THOUSAND BTU/H
- MD MOTORIZED DAMPER
- MIN MINIMUM
- MAX MAXIMUM
- N/A NOT APPLICABLE
- NC NORMALLY CLOSED
- MFG MANUFACTURER
- MS MIDDLE SCHOOL
- MV ELECTRONIC MIXING VALVE
- NO NORMALLY OPEN
- NOL NON OVER LOADING
- P PUMP
- PC PLUMBING CONTRACTOR
- PD PRESSURE DROP
- PH PHASE
- PPM PARTS PER MILLION
- PSI POUNDS PER SQUARE INCH
- PSIG POUNDS PER SQUARE INCH GAUGE
- RD ROOF DRAIN
- RL ROOF LEADER
- RO ROOF OVER/LOW DRAIN
- RP RECIRCULATION PUMP
- RPM REVOLUTIONS PER MINUTE
- RPZ REDUCED PRESSURE ZONE
- RTV GAS-FIRED ROOFTOP UNIT
- S OR SAN SANITARY
- SF SQUARE FOOT
- SK SHOWER
- SK SHORT RADIUS
- SR SERVICE SINK/ANTORS SINK
- SS STORM PIPING
- TEMP TEMPERATURE
- TV THERMOSTATIC MIXING VALVE
- TYP TYPICAL
- UR URINAL
- VERT VERTICAL
- VTR VENT THRU ROOF
- W WASTE
- WC WATER CLOSET
- WCO WALL CLEAN-OUT
- WH WATER HEATER
- WHA WATER HAMMER ARRESTOR

PLUMBING LEGEND

- COLD WATER PIPING (CW)
- HOT WATER PIPING (HW)
- HOT WATER RECIRC PIPING (HWR)
- SAN SANITARY ABOVE GRADE
- SAN SANITARY BELOW GRADE
- VENT PIPING
- WASTE PIPING
- NATURAL GAS PIPING
- 90 DEGREE PIPE ELBOW DOWN
- PIPE RISER UP SYMBOL
- BRANCH PIPE CONNECTOR OFF BOTTOM OF PIPING MAIN
- PIPE CAP
- MID-PIPE DOWN
- PIPE BREAK
- PIPE DOWN WITH VALVE IN VERTICAL
- UNION
- CLEAN OUT
- PIPING/EQUIPMENT REMOVALS
- CHECK VALVE
- SHUTOFF BALL VALVE
- PRESSURE REDUCING VALVE
- PLUG VALVE
- PUMP
- FLOOR DRAIN
- CLEANOUT DECKPLATE
- GATE VALVE
- BUTTERFLY VALVE
- BALANCE VALVE
- PIPE REDUCER
- OR
- POINT OF REMOVAL
- OR
- POINT OF CONNECTION
- OR
- OR

PLUMBING FIXTURE SCHEDULE

1. OR APPROVED EQUAL

TAG	TYPE	BASIS OF DESIGN MANUFACTURER	MODEL	CONNECTION SIZE					REMARKS	
				CW	HW	W	IW	V		
DPCO	DECK PLATE CLEANOUT	ZURN	Z1400			2"				PROVIDE TRAP SEAL
FD-1	FLOOR DRAIN	ZURN	Z415B			2"				
LAV-1	LAV WALL HUNG	KOHLER	K-2007	1/2"	1/2"	1 1/2"			1 1/2"	WITH FAUCET EAF-100 WITH PLUG. SEE ARCHITECTURAL FOR FINAL MOUNTING HEIGHTS
LAV-2	LAV WALL HUNG (ADA)	KOHLER	K-2007	1/2"	1/2"	1 1/2"			1 1/2"	WITH FAUCET EAF-100 WITH PLUG. SEE ARCHITECTURAL FOR FINAL MOUNTING HEIGHTS
UR-1	URINAL	KOHLER	K-499-ET	3/4"	2"				2"	WITH FLUSH VALVE SLOAN ECOS 188 HW
WC-1	WATER CLOSET WALL HUNG	ZURN	Z5615	1"	4"				2"	WITH FLUSH VALVE SLOAN ECOS 111 (HW). SEE ARCHITECTURAL FOR FINAL MOUNTING HEIGHTS
WC-2	WATER CLOSET WALL HUNG (ADA)	ZURN	Z5615	1"	4"				2"	WITH FLUSH VALVE SLOAN ECOS 111 (HW). SEE ARCHITECTURAL FOR FINAL MOUNTING HEIGHTS
WC-4	WATER CLOSET FLOOR MOUNTED	ZURN	Z5655-BWL1	1"	4"				2"	WITH FLUSH VALVE SLOAN ECOS 111 (HW)

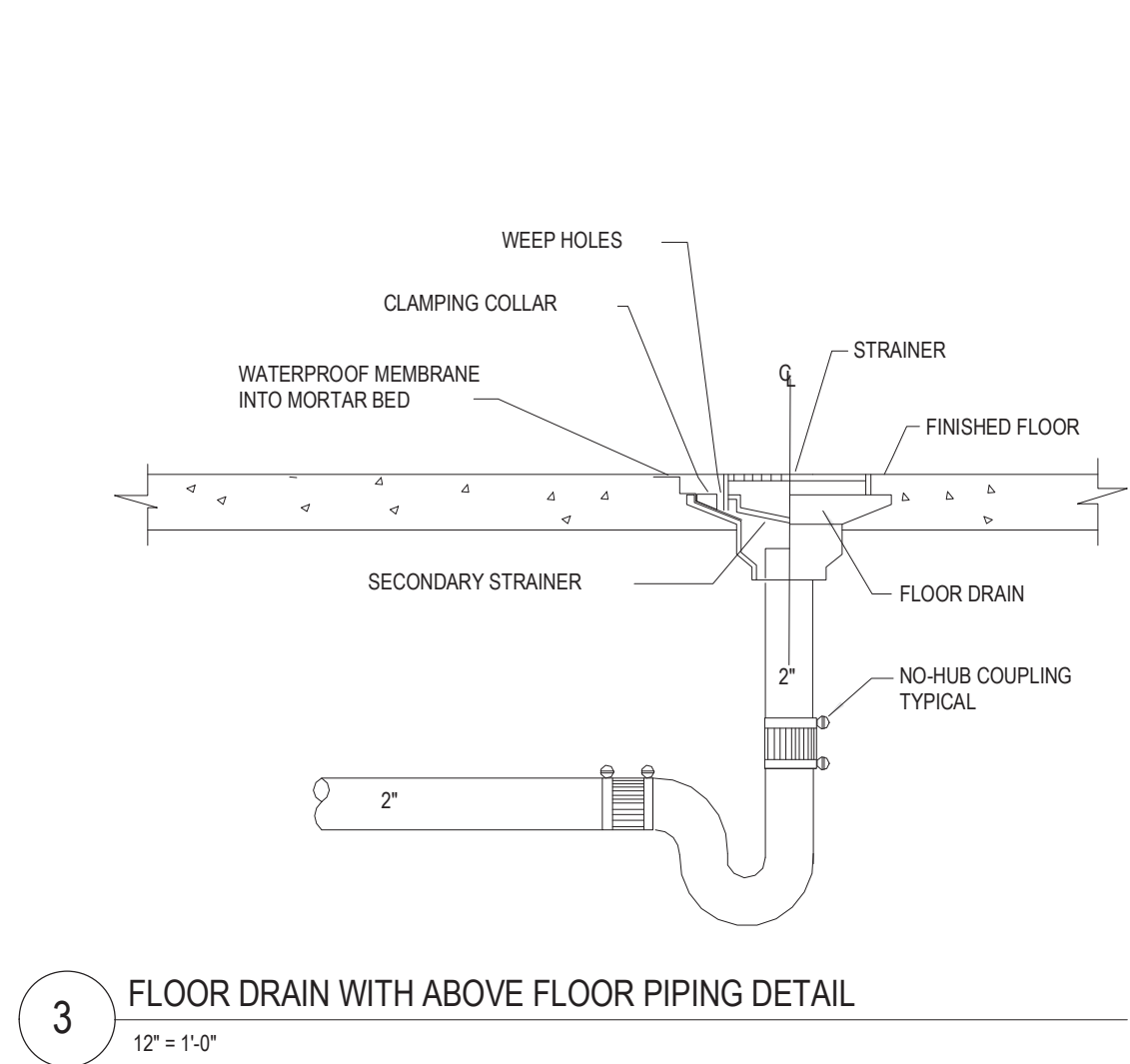
WATER HAMMER ARRESTOR

TAG	MODEL NUMBER					
	WHA-A	WHA-B	WHA-C	WHA-D	WHA-E	WHA-F
SHOKTROL Z1700	100	200	300	400	500	600
FIXTURE RATING	1-11	12-32	33-60	61-113	114-154	155-330

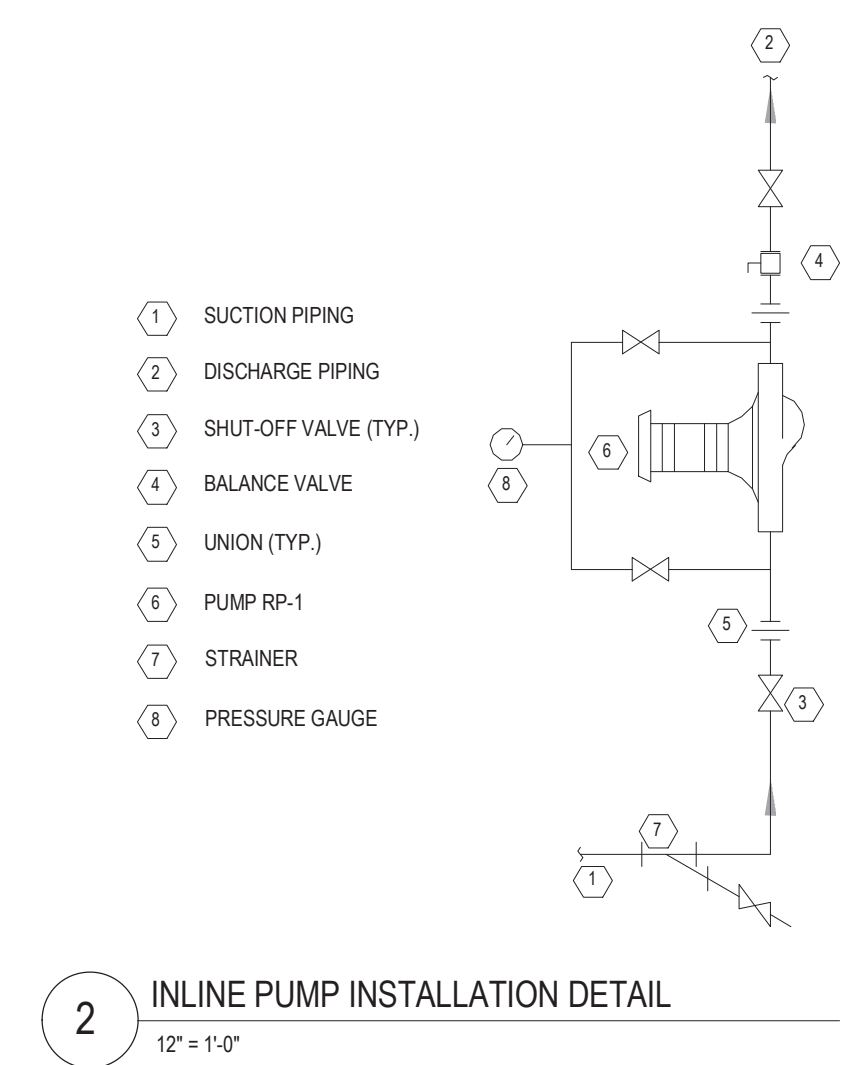
CIRCULATOR PUMP SCHEDULE

1. CIRCULATING HOT WATER PUMP, STAINLESS STEEL, NSF-61 RATED.

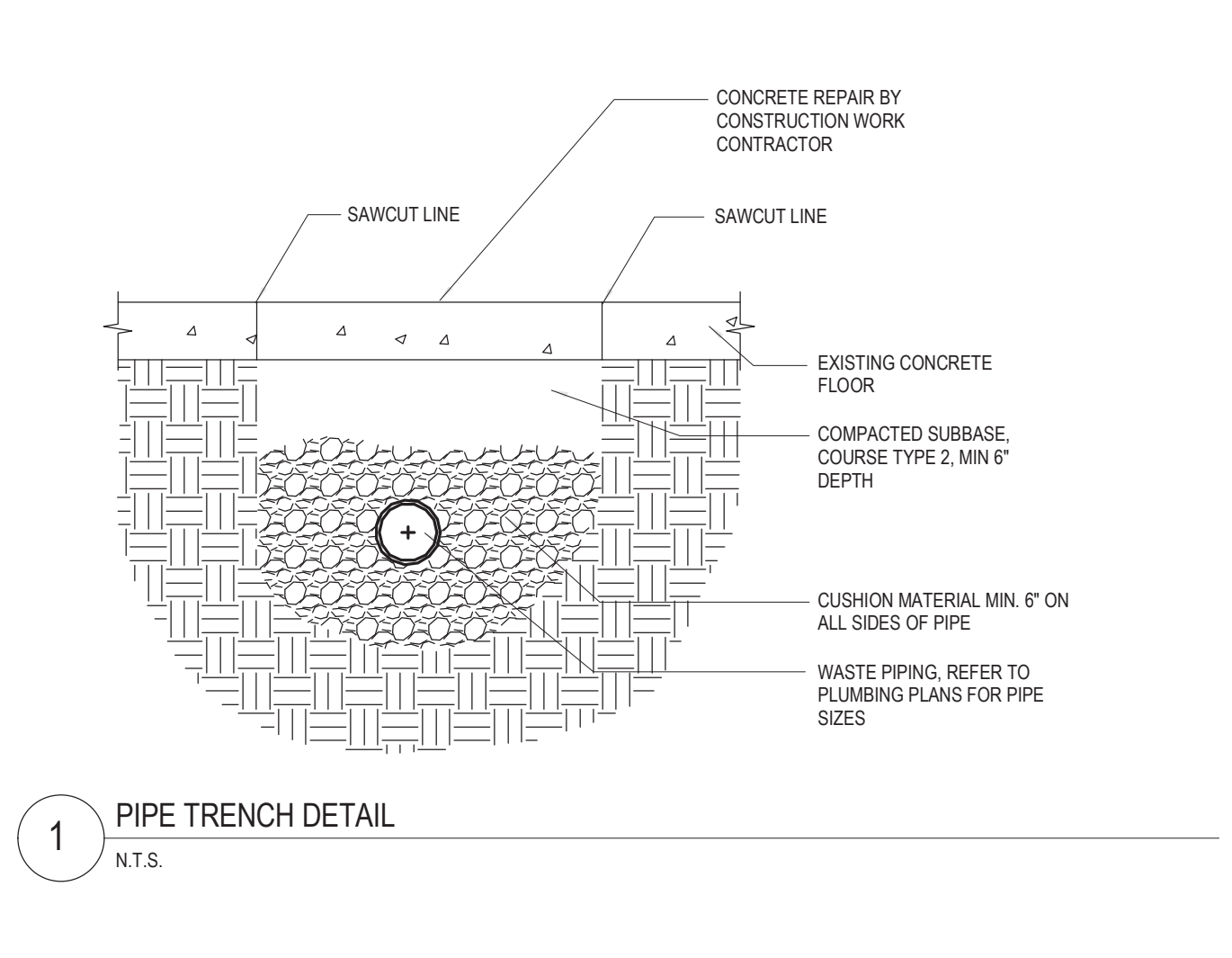
TAG	LOCATION	TYPE	CAPACITY	HEAD (FT. W.C.)	ELECTRICAL DATA			BASIS OF DESIGN MFG. AND MODEL	REMARKS
					VOLTS	PH	HP		
RP-1	BOILER ROOM	CARTRIDGE CIRCULATOR	2 GPM	2	115	1	1/40	TACO 003B	



3 FLOOR DRAIN WITH ABOVE FLOOR PIPING DETAIL
12" x 1'-0"



2 INLINE PUMP INSTALLATION DETAIL
12" x 1'-0"



1 PIPE TRENCH DETAIL
N.T.S.