

**Owner**

**Nanuet Union Free School District**  
101 Church Street  
Nanuet, NY 10954  
845.627.9880  
www.nanuetusd.org

**Structural Engineer**

**Clapper Structural Engineering**  
160 Partition Street  
Saugerties, NY 12477  
845.943.9801  
www.clappersstructural.com

**MEP Engineer**

**Sage Engineering Associates, LLP**  
9 Columbia Circle  
Albany, NY 12203  
518.453.6091  
www.sageep.com  
REGISTRATION NUMBER 00000000000000000000000000000000

**Environmental Engineer**

**Quest Environmental Solutions**  
1376 Route 9  
Wappingers Falls, NY 12590  
845.298.6251  
www.qualityenv.com

**Construction Manager**

**Jacobs**  
One Penn Plaza  
24th Floor, Suite 2400  
New York, NY 10119  
646.906.6550  
www.jacobs.com



**NUFSD BOND PROJECT PHASE 5 - OEC**

- SED#50-01-08-03-0-002-020 (HIGHVIEW ES)
- SED#50-01-08-03-3-001-002 (Maintenance)
- SED#50-01-08-03-7-012-004 (OEC)
- SED#50-01-08-03-0-001-028 (MILLER ES)
- SED#50-01-08-03-0-004-022 (BARR MS)

**Highview Elementary School**  
24 Highview Ave  
Nanuet, NY 10954

**OEC Building**  
135 Convent Rd  
Nanuet, NY 10954

**Maintenance Building**  
103 Church St.  
Nanuet, NY 10954

**Miller Elementary School**  
50 Blauvelt Rd Unit 1  
Nanuet, NY 10954

**A MacArthur Barr Middle School**  
143 Church St  
Nanuet, NY 10954

**KEY PLAN**

**REVISIONS**

No.	Description	Date

**ISSUED: BID SET**

**DATE:** 06/21/2024

**SCALE:** As indicated

**SHEET NAME:**  
BASEMENT PLAN

**SHEET NUMBER:**

**OEC-M101**

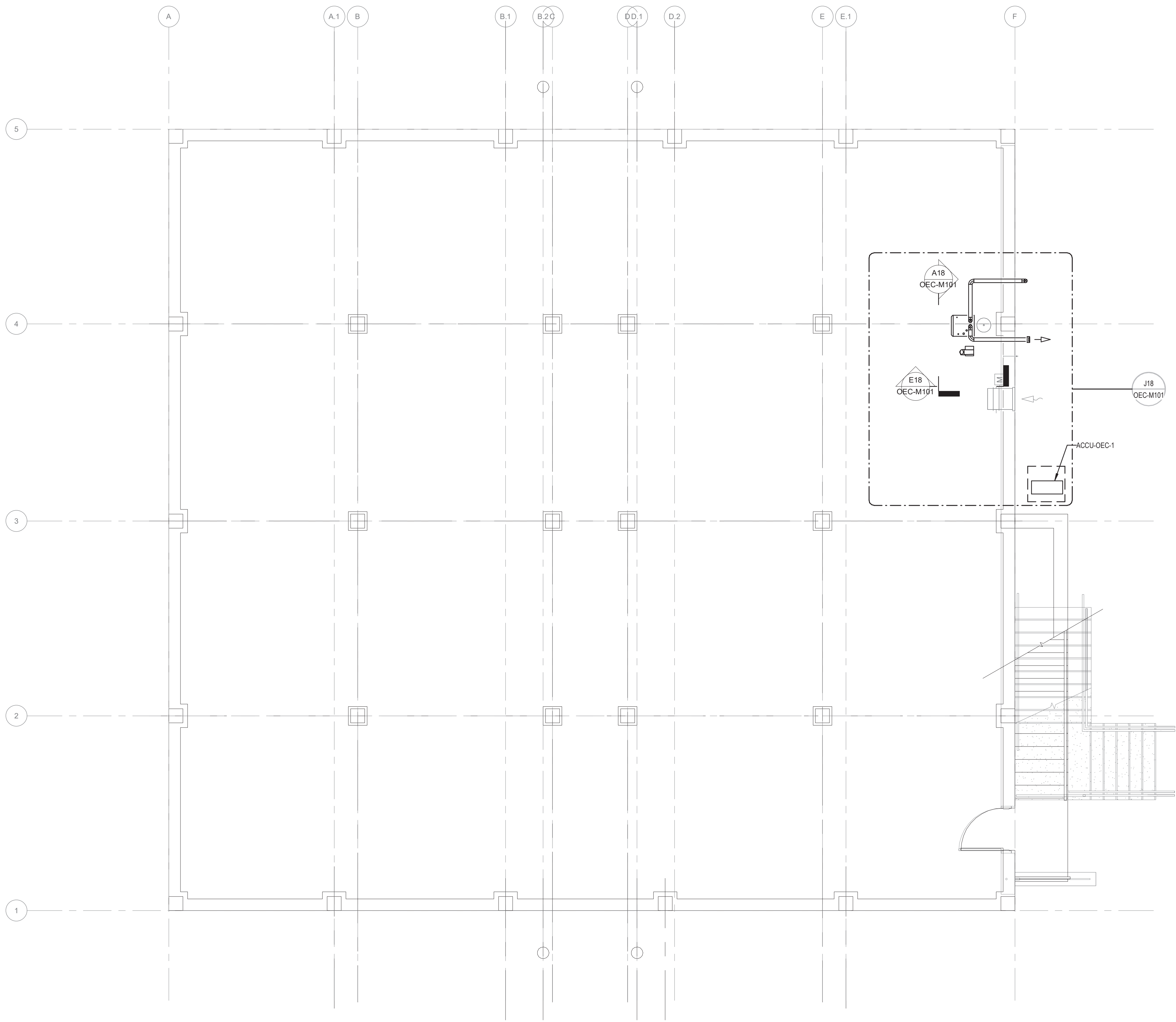
ISSUE FOR BID SET

NATURAL GAS CONDENSING BOILER SCHEDULE																
1. PROVIDE BOILER NEUTRALIZER AND PUMP THAT FITS INSIDE AND PLUGS INTO BOILER CABINET. PROVIDE BOILER WITH FULL MODULATION OF 10:1 TURNDOWN.																
2. AHRI CERTIFIED AFUE RATING TO BE 95.3%.																
3. PROVIDE WITH INTEGRAL BOILER OPERATION CONTROLLER AND LCD PANEL CAPABLE OF OUTDOOR RESET SCHEDULE AND CIRCULATOR PUMP OPERATION. PROVIDE LOW VOLTAGE WIRING BETWEEN BOILER CONTROL BOARD AND CIRCULATOR PUMP TO ENABLE PUMP ON CALL FOR BOILER FIRING.																
TAG	SERVICE	HP	GROSS INPUT (MBH)	AHRI CERTIFIED HEATING CAPACITY (MBH)	NET AHRI RATING (MBH)	VENT DIAMETER	ASME RELIEF VALVE SETTING	GPM	PRESSURE DROP	EWT	LWT	THERMAL EFFICIENCY (OIL)	OPERATING WEIGHT	ELECTRICAL DATA	BASIS OF DESIGN MFG. AND MODEL	REMARKS
B-OEC-1	BUILDING HEAT		199	182	158	3"	30 psi	15.8 GPM		160 °F	180 °F	95.3%	130 lb	VOLTS 120 PH 1 AMPS 4 MOP 15	LAARS FTHF199	1,2,3

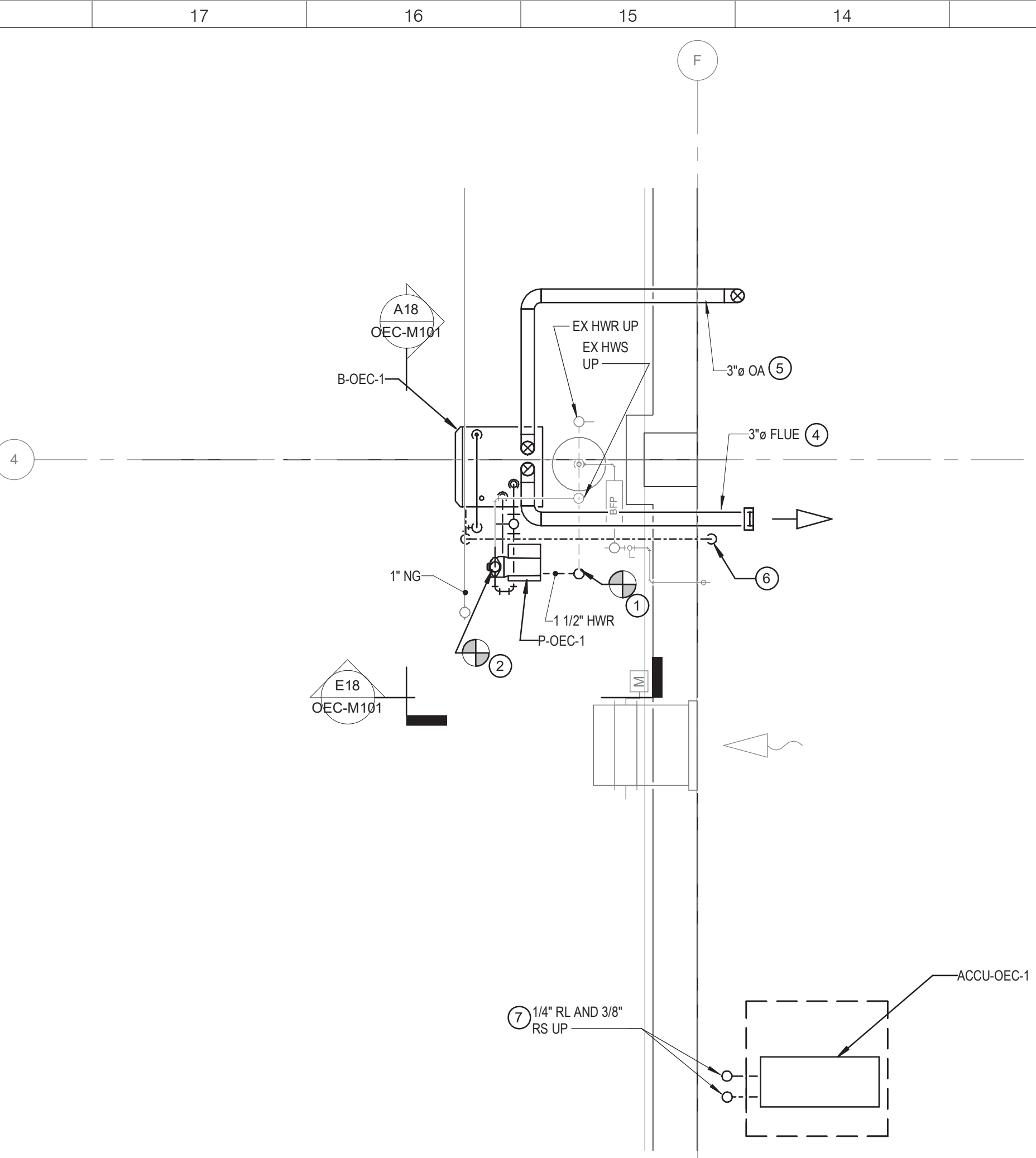
PUMP SCHEDULE																		
Mark	TYPE	FLOW	HEAD	RPM	IMPELLER DIAMETER	SUCTION X DISCHARGE (IN. X IN.)	FLUID TEMP	FLUID TYPE	WIRE TO WATER EFFICIENCY	ELECTRICAL FLA	MAXIMUM ELECTRICAL WATTS	BRAKE HP	NOL HP	HP	VOLTS	PH	BASIS OF DESIGN MFG. AND MODEL	REMARKS
P-OEC-1	HIGH EFFICIENCY LARGE WET ROTOR CIRCULATOR WITH EC MOTOR	15.8 GPM	30 ft	3,588		1.5"x1.5"	180 °F	WATER	93.3%	2.0 A	500 W			1/2	208	1	BELL&GOSSETT ecode XL 55-45	

**KEYED NOTES:**

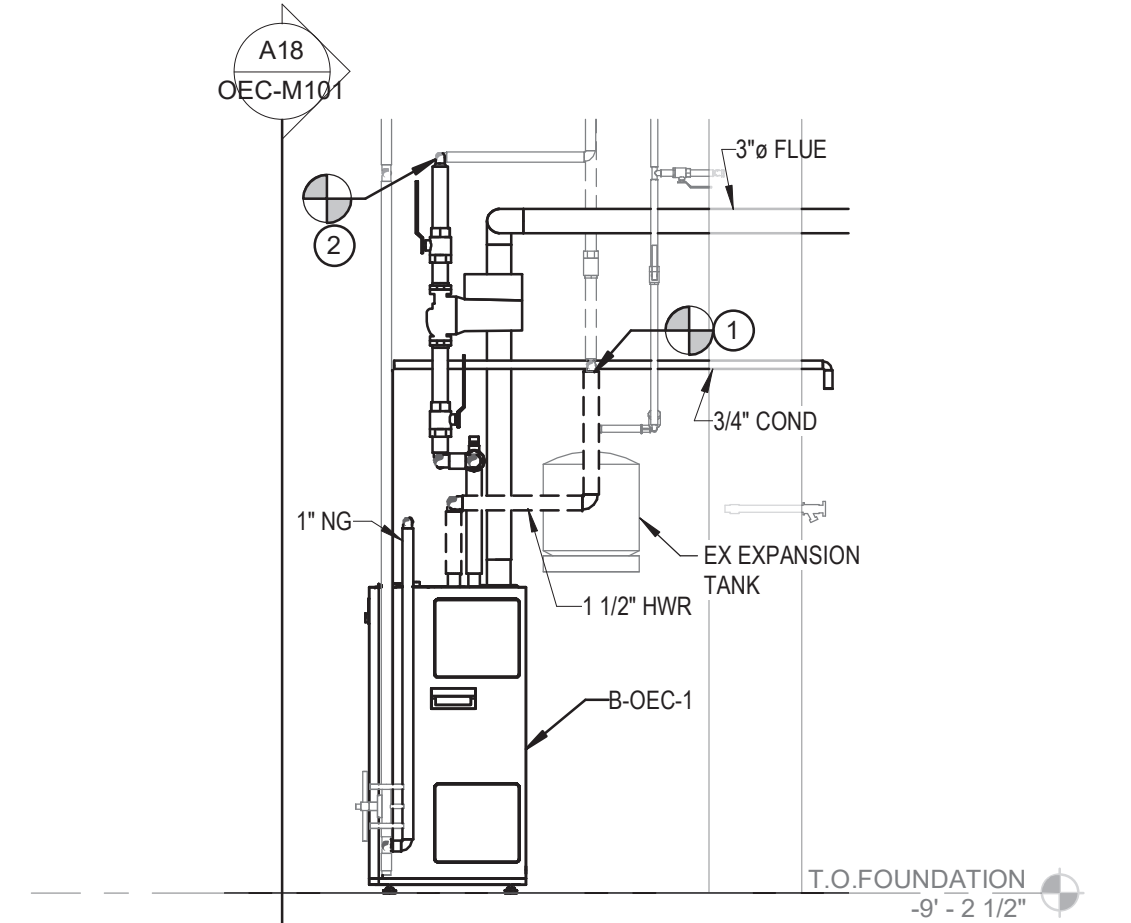
1. ROUTE 1-1/2" HWR FROM EXISTING HWR PIPING AT CONNECTION POINT SHOWN TO TOP HEATING WATER INLET CONNECTION ON BOILER.
2. ROUTE 1-1/2" HWS FROM EXISTING HWS PIPING AT CONNECTION POINT SHOWN TO TOP HEATING WATER OUTLET CONNECTION ON BOILER. PROVIDE INLINE CIRCULATOR PUMP WITHIN HWS RISER AS SHOWN.
3. CONNECT TO EXISTING NATURAL GAS PIPING AT LOCATION SHOWN AND ROUTE 1" GAS PIPING TO TOP GAS INLET CONNECTION ON BOILER.
4. TERMINATE 3" ROUND BOILER VENT WITH VENT SCREEN APPROXIMATELY 36" ABOVE GRADE AND 12" FROM EXTERIOR WALL PENETRATION.
5. TERMINATE 3" ROUND BOILER INTAKE AIR DUCT WITH ELBOW FACING DOWN AND INTAKE SCREEN.
6. ROUTE CONDENSATE FROM BOILER CONDENSATE PUMP OUTLET OUT THROUGH EXTERIOR WALL AND TERMINATE OPEN-ENDED FACING DOWN TOWARDS GRADE WITH MITER CUT OUTLET.
7. REFER TO FIRST FLOOR PLAN FOR CONTINUATION OF REFRIGERANT LIQUID AND SUCTION PIPE RISERS.



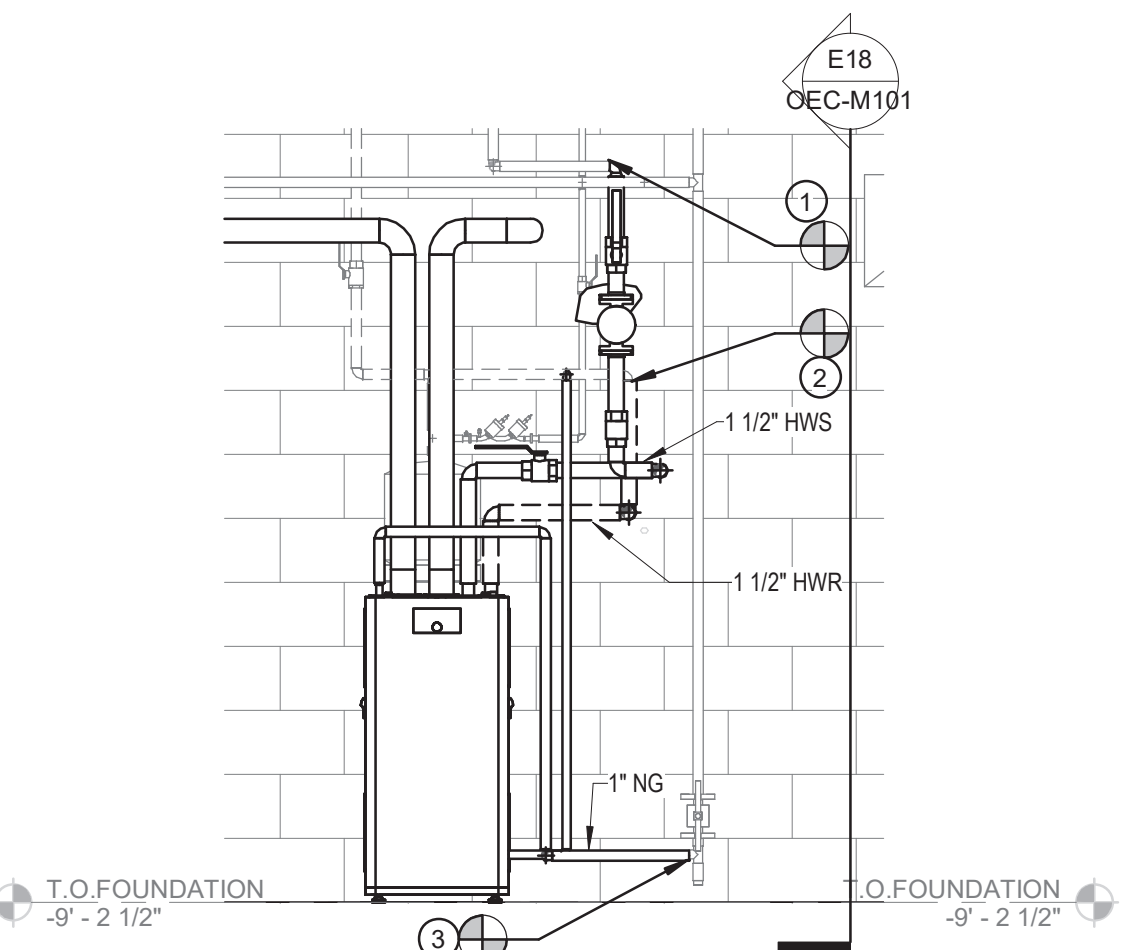
**A11 BASEMENT PLAN**  
1/4" = 1'-0"



**J18 ENLARGED BOILER PLAN**  
1/2" = 1'-0"



**E18 BOILER SECTION VIEW - LOOKING SOUTH**  
1/2" = 1'-0"



**A18 BOILER SECTION VIEW - LOOKING WEST**  
1/2" = 1'-0"